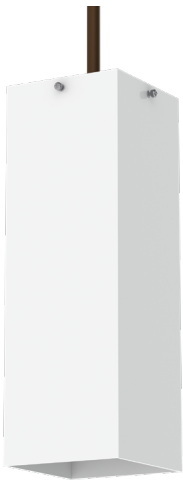


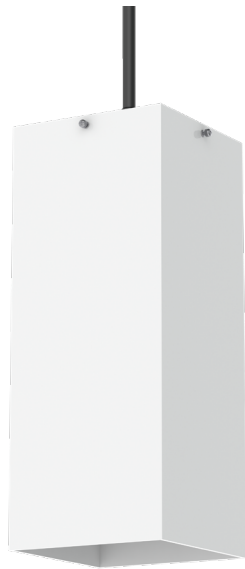


QUADRO 6" / 8" PENDANT
INCANDESCENT
 QUADRO

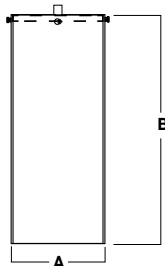
PROJECT: _____
 QUANTITY: _____ TYPE: _____



CY0618SQFAINC
 BZ - Bronze



CY0820SQFAINC
 MB - Matte Black



SERIES	A	B
CY0618SQFAINC	6.0	18.0
CY0820SQFAINC	8.0	20.0

CY-SQFAINC

APPLICATION

Quadro 6" and 8" Pendants features clean design for a variety of architectural area lighting applications. INC Series is designed for indoor damp locations.

FEATURES

Speclume series fixtures offer simple contemporary style with functional luminaire performance. All fixtures are designed and manufactured in our factory. Quadro series pendant is available in two sizes and are fabricated from opal acrylic. The opal shade glows warmly with no lamp image. A variety of finishes and mounting is available.

FINISH

Multi-stage polyester powder-coat process applied on our dedicated paint lines. A wide variety of standard and custom finishes are available. All exposed materials are chromate pretreated to resist corrosion.

ELECTRONICS

E26 Edison medium base 120V socket for incandescent or LED lamps.

CONSTRUCTION

Fixtures constructed of machined and formed aluminum and optical U.V. stabilized acrylic.

CODE COMPLIANCE

BAA compliant. ETL certified to meet US and Canadian standards. Suitable for dry or damp locations. Manufactured and tested to UL standards No. 1598/8750

SERIES	MOUNTING/OPTIONS ¹	FINISH ³
CY0618SQFAINC CY0820SQFAINC	HM ² Hang Straight Pendant AT ² Hang Straight All Thread PM ² Pendant/Straight Mount CD ² Cord and Cable Mount FS Fuse Holder and Fuse	MW ⁴ Matte White MB ⁴ Matte Black PT ⁴ Platinum Silver CC Custom Color

EXAMPLE: CY0820SQFAINC/HM36/MW

NOTES:
 1 See Mounting Pages Options and Details on Components and Finishes 2 Specify Length in Inches: See Mounting Page for Available Lengths
 3 Reference Color Sheet Located on Product Webpage for Full List of Available Colors/Consult Factory for Special Finishes 4 Standard Interior Finish

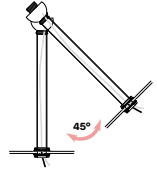
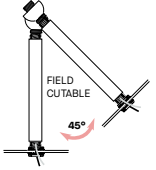

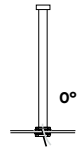
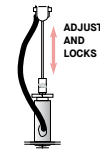


MOUNTING & ACCESSORIES

SOME OPTIONS NOT AVAILABLE ON ALL FIXTURES. CONSULT SPECIFICATION SHEETS. SEE INDIVIDUAL SPECIFICATION SHEETS OR CONSULT FACTORY FOR ADDITIONAL INFORMATION.
NOTE: THIS IS TYPICAL OF SPECULUME SPECIFICATION FOR PENDANT MOUNTING. INDIVIDUAL FIXTURES OR PROJECTS MAY HAVE SPECIALIZED REQUIREMENTS.



CEILING MOUNTING

<p>HM* HANG STRAIGHT 45° SWIVEL 1/2" STEM - 3/8" NPT</p>  <p>ORDER: HM (Length) SPECIFY LENGTH: HM3 - 3" HM24 - 24" HM6 - 6" HM36 - 36" HM12 - 12" HM48 - 48" HM18 - 18" HM72 - 72" HMLC(XX) Custom Length (Specify in inches)</p>	<p>AT** HANG STRAIGHT ALL THREAD 45° SWIVEL 5/8" OD STEM - 1/4" IP</p>  <p>ORDER: AT (Length) SPECIFY LENGTH: AT12 - 12" AT48 - 48" AT24 - 24" AT60 - 60" AT36 - 36" AT72 - 72"</p> <p><small>FIELD CUT THREADED PIPE FIELD LENGTH NEEDED CUT PIPE COVER - 1/4" SHORTER THAN THREADED PIPE SIP PIPE COVER OVER THREADED PIPE</small></p> 	<p>PM* RIGID PENDANT MOUNT RIGID 1/2" STEM - 3/8" NPT</p>  <p>ORDER: PM (Length) SPECIFY LENGTH: PM3 - 3" PM24 - 24" PM6 - 6" PM36 - 36" PM12 - 12" PM48 - 48" PM18 - 18" PM72 - 72" PMLLC(XX) Custom Length (Specify in inches)</p>	<p>CD CORD / CABLE MOUNT SJ CORD WITH 1/16 SS CABLE</p>  <p>ORDER: CD (Length) SPECIFY LENGTH: CD36 - 36" CD72 - 72" CD144 - 144" CDLC(XX) Custom Length (Specify in inches)</p>
------------------------------------------------------------------------------------------------------------------------------------------------------------------------------------------------------------------------------------------------------------------------------------------------------------------------------------------------------------------------------------------------------------------------------------------------------	----------------------------------------------------------------------------------------------------------------------------------------------------------------------------------------------------------------------------------------------------------------------------------------------------------------------------------------------------------------------------------------------------------------------------------------------------------------------------------------------------------------------------------------------------------------------------------------------------------------------	--------------------------------------------------------------------------------------------------------------------------------------------------------------------------------------------------------------------------------------------------------------------------------------------------------------------------------------------------------------------------------------------------------------------------------------------------------	-------------------------------------------------------------------------------------------------------------------------------------------------------------------------------------------------------------------------------------------------------------------------------------------------------------------------------------------------

*MAXIMUM ONE PIECE STEM LENGTH IS 72". **MAXIMUM ONE PIECE STEM LENGTH IS 36". LONGER LENGTHS ARE POSSIBLE USING MULTIPLE STEMS AND COUPLERS.
**ORDER IN 12" INCREMENTS, ODD SIZES MAY BE FIELD CUT

