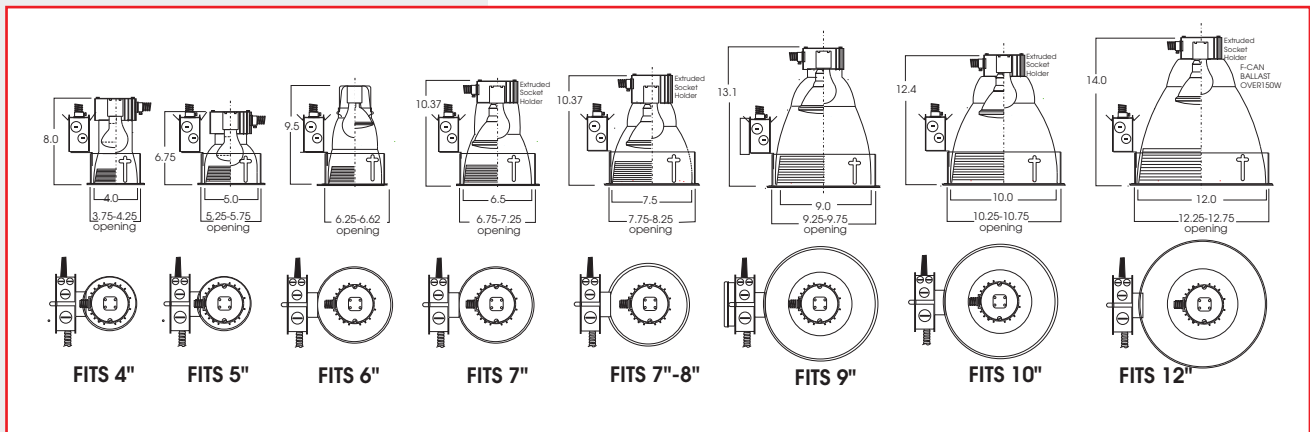
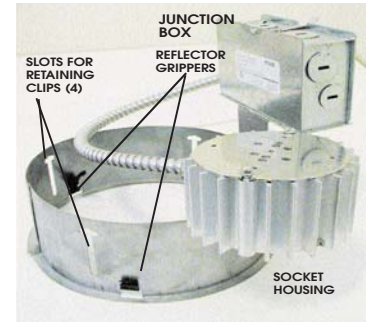


FEATURES:

- Easy to install remodeling system.
- .063 Heavy gauge reflector, self flange/white flange standard.
- Remodel ring made of 20 gauge galvanized steel for corrosion resistance.
- Many finishes available on reflectors and flanges.
- Return flange on ring for positive "stop", and aid in "trimming out" ceiling opening.
- Mounting hardware provided.
- Options include extended whip length.
- Junction box removable, 13" whip standard
- Electronic ballast 120/277.
- ETL listed

**REMODELERS
INCANDESCENT
RING STYLE** **SGRM**
SERIES



ORDERING REMODEL FIXTURES

FITS SIZE	SERIES	MAX WATTAGE	REFLECTOR
4"	SGRM4IN 4" Aperture	1 lamp up to 100 Watt	AR4110 CL (OPEN) AR4220 PA (LENS)*
5"	SGRM5IN 5" Aperture	1 lamp up to 100 Watt	AR5210 CL (OPEN) AR5220 PA (LENS)*
6"	SGRM6IN 6" Aperture	1 lamp up to 100 Watt	AR6210 CL (OPEN) AR6220 PA (LENS)*
7"	SGRM7IN 7" Aperture	1 lamp up to 150 Watt (Open)	AR7115 CL (OPEN) AR7220 PA (LENS)*
8"	SGRM8IN 8" Aperture	1 lamp up to 200 Watt (Open)	AR8215 CL (OPEN) AR8125 PA (LENS)*
9"	SGRM9IN 9" Aperture	1 lamp up to 200 Watt (Open)	AR9115 CL (OPEN) AR9125 PA (LENS)*
10"	SGRM10IN 10" Aperture	1 lamp up to 250 Watt (Open)	AR1010 CL (OPEN) AR1020 PA (LENS)*
12"	SGRM12IN 12" Aperture	1 lamp up to 300 Watt (Open)	AR1210 CL (OPEN) AR1220 PA (LENS)*
EXAMPLE:	SGRM8IN	100	AR8215CL

Dimensions shown are nominal. Spectrum Lighting is continually improving products and reserves the right to make changes that will not alter performance or appearance.

* White splay with prismatic acrylic lens (PA) is standard on lensed CF fixtures

PROJECT _____ TYPE _____
CAT.NO _____



994 Jefferson Street . Fall River, MA 02721 . 508.678.2303 FAX 508.678.2260