

# AMBIENT INDIRECT SCENCE

## XL SERIES / 2000 LUMEN MAX LED

speculume  
decorative



### ID406LEDXL - RDC5

#### APPLICATION

Ambient Series Scence for indirect lighting illumination. Modern replacement for classic halogen fixture.

#### FEATURES

Wedge profile and clean detailing blend easily into interior design. Optics produce forward throw indirect output. Illuminates a wide area with smooth, hot-spot free illumination. Top lens available, in clear tempered glass or Solite™ Lens. Designed for surface mounting to octagonal J box.

#### FINISH

Multi-stage polyester powder-coat process applied on our dedicated paint lines. A wide variety of standard and custom finishes are available. All exposed materials are chromate pretreated to resist corrosion.

#### ELECTRONICS

LED system features Xicato LED module with proprietary phosphor technology that provides consistent stable color with CCT control of +/- 100K over life of the light engine. Base CRI is 80 with 1x2 MacAdam Ellipses binning.

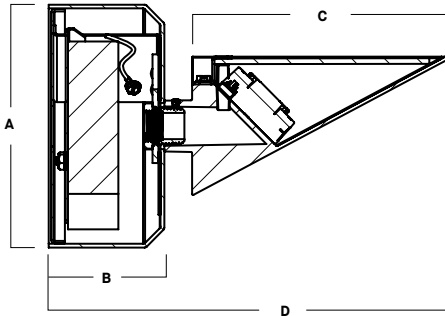
#### CONSTRUCTION

Fixture is die cast aluminum with stainless steel hardware. Recessed in wall housing is 20ga. galvanized steel to resist corrosion.

#### CODE COMPLIANCE

BAA Compliant. UL listed. Damp location only. Manufactured and tested to UL standards No.

RDC5 ROUND SURFACE MOUNT DRIVER CANOPY



A	B	C	D
5.25 133.4 mm	2.5 63.5 mm	5.5 139.7 mm	8.6 218.4 mm

WATTAGE / LUMENS DATA

PART NUMBER	SOURCE LUMENS <sup>1</sup>	DELIVERED LUMENS	SYSTEM WATTS	LPW
ID406LEDXL16L	1600	1405	21.0	67
ID406LEDXL20L	2000	1694	27.7	61

SERIES	LED <sup>1</sup>	CCT	DRIVER / DIMMING <sup>3</sup>	LENS	MOUNTING	FINISH <sup>5</sup>
ID406LEDXL	16L	1600 Lm	27K 2700K	GL <sup>4</sup> Clear Glass Lens SO Micro Prism Solite™ Lens	RDC5 Round Surface Driver Canopy	MW <sup>6</sup> Matte White MB <sup>6</sup> Matte Black PT <sup>6</sup> Platinum Silver CC Custom Color
	20L	2000 Lm	30K 3000K			
			35K 3500K			
			EX Electronic Driver, 120V/277V DS10X 10%, 0-10V, 120V/277V DS2W1 1%, ELV/MLV, 120V, Dims to 0 DO10X 1%, 0-10V, 120V/277V			

### EXAMPLE: ID406LEDXL20L35KDS2W1GLRDC5MW

#### NOTES:

1 Nominal Source Lumens at 3500K 2 Nominal Delivered Lumens at 80 CRI at Any CCT, No Lens 3 Contact Factory for Additional Options 4 Glass is Standard  
5 Reference Color Sheet Located on Product Webpage for Full List of Available Colors 6 Standard Finishes

Dimensions and values shown are nominal. Spectrum Lighting continually works to improve products and reserves the right to make changes which may alter the performance or appearance of products.



PROJECT:	TYPE:
CAT. NO.:	

WWW.SPECLIGHT.COM • 994 JEFFERSON STREET, FALL RIVER, MA 02721 • 508.678.2303 FAX 508.678.2260

LIGHTSOURCE BY  
**XICATO**<sup>®</sup>

