



GIANT WAREHOUSE SHADE
DAMP / WET LOCATION
 CLASSIC SHAPES

PROJECT: _____

QUANTITY: _____ TYPE: _____



WS2414GV
 MB - Matte Black



WS2414GV
 CO - Copper Metallic



WS2414GV
 PT - Platinum Silver



WS2414GV
 AC - Anodic Champagne

| SERIES | LUMENS ¹ | CCT | DRIVER / DIMMING ² | ACCESSORIES ⁵ | MOUNTING ⁷ | INTERIOR ¹⁰ | FINISH ¹⁰ | WET KIT | | | |
|----------------------|---------------------|---------|-------------------------------|---|-----------------------|--|--|---------|---|--|------------------------------|
| WS2414GV WS3617GV | 15L | 1500 Lm | 80 CRI | EX Electronic Driver, 120V/277V 1%, 0-10V, 120V/277V DS2W1³ ELV/MLV, 120V DLTE1⁴ Lutron® 2-Wire Forward Phase (MLV), 120V DL3EX⁴ 1%, Lutron® EcoSystem®, Fades to Black, 120V/277V | ENCLOSURES | | CEILING MOUNT | | MWI¹¹ Matte White CCI Custom Color FCI Fixture Color Interior | MW¹¹ Matte White MB¹¹ Matte Black PT¹¹ Platinum Silver CC Custom Color | WLKA Wet Location Kit |
| | 27L | 2700 Lm | 27K | | 2700K | TF2⁶ 4" Frosted Dome TG2 4" Dome Wire Guard MF2 4" Frosted Mini MG2 4" Short Wire Guard FJ2 4" Frosted Tall FG2 4" Tall Wire Guard | RDC5 Small Driver Canopy CP13 Large Driver Canopy HM⁸ Hang Straight AT⁸ Hang Straight All Thread PM⁸ Rigid Pendant Mount CD⁸ Cord / Cable Mount CM⁸ Cord Mount EMCR⁹ 10W Large Driver Canopy EM EMRM 7W Remote EM EMEN 7W Remote with Enclosure | | | | |
| | 37L | 3700 Lm | 30K | | 3000K | | | | | | |
| | 55L | 5500 Lm | 35K | | 3500K | | | | | | |
| | | 40K | 4000K | | | | | | | | |
| | | 90 CRI | | | | | | | | | |
| | | 27HK | 2700K | | | | | | | | |
| | | 30HK | 3000K | | | | | | | | |
| | | 35HK | 3500K | | | | | | | | |
| | | 40HK | 4000K | | | | | | | | |

EXAMPLE: WS2414GV37L35KDO10XTF2/RDC5PM18MWIRD

NOTES:
 1 Nominal Source Lumens at 35K 2 Contact Factory for Additional Options 3 37L Max with RDC5, 55L Max with CP13 4 Available with CP13 Only
 5 Enclosure & Wire Guard Required - Choose One Option 6 Standard Enclosure 7 See Mounting Page for Details on Components and Finishes
 8 Specify Length in Inches: See Mounting Page for Available Lengths 9 EMCR Replaces RDC5 or CP13
 10 Reference Color Sheet Located on Product Webpage for Full List of Available Colors 11 Standard Finishes





GIANT WAREHOUSE SHADE

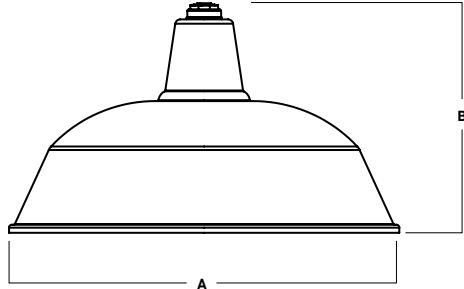
DAMP / WET LOCATION

CLASSIC SHAPES

| LUMENS / WATTAGE DATA | | | | |
|-----------------------|----------------------------|-------------------------------|--------------|-----|
| PART NUMBER | SOURCE LUMENS ¹ | DELIVERED LUMENS ² | SYSTEM WATTS | LPW |
| WS2414GV15L | 1500 | 1233 | 10 | 122 |
| WS2414GV27L | 2700 | 2146 | 18 | 119 |
| WS2414GV37L | 3700 | 3106 | 26 | 119 |
| WS2414GV55L | 5500 | 4567 | 39 | 117 |

¹ Nominal Source Lumens at 35K ² Nominal Delivered Lumens at 35K with TF2 and MWI

HOUSING DIMENSIONS



Dimensioned with **WS2414GV**

| SERIES | A | B | WEIGHT |
|----------|------|------|--------|
| WS2414GV | 24.1 | 14.1 | 10 lbs |
| WS3617GV | 36.0 | 17.1 | 15 lbs |

APPLICATION

The Giant Warehouse Shades are large diameter versions of one of our most popular RLM styles. Inspired by vintage lighting styling with modern light sources and materials. The wide range of options for illumination, mounting, enclosures, guards and finishes allows for creative luminaire specification.

ELECTRONICS

Proprietary solid-state light engine available in various color temperatures and lumen outputs. Color quality and consistency of 80 CRI [typical], 3 SDCM. Selection of electronic constant current dimming drivers available. Driver and light engine are field serviceable for future replacement or upgrades. For higher CRI and custom configurations, consult factory.

CONSTRUCTION

Shades are spun in our factory from 0.063 high purity aluminum. Passive aluminum heatsink optimized for emitter life and performance. Die-cast aluminum hex nut accepts variety of mounting types. Choice of diffused, evenly illuminated emitter enclosures eliminate direct source visibility and are free from emitter pixelation. Enclosure wire guards available.

FINISH

Multi-stage polyester powder-coat process applied on our dedicated paint lines. All exposed materials are chromate pretreated to resist corrosion. Standard and custom finishes are available. Interior is Matte White unless specified. Enclosure wire guards are chrome polish finished.

CODE COMPLIANCE

BAA compliant. ETL certified to meet US and Canadian standards. Suitable for dry or damp locations. Wet Location Option. Manufactured and tested to UL standards No. 1598/8750. 5 year limited warranty on all components. Proudly designed and manufactured in Massachusetts.

SERIES SIZES

WS2414GV



WS3617GV



ENCLOSURES

TF2
4" FROSTED DOME



MF2
4" FROSTED MINI



FJ2
4" FROSTED TALL



TG2
4" FROSTED DOME
WIRE GUARD - FITS TF2



MG2
4" FROSTED MINI
WIRE GUARD - FITS MF2



FG2
4" FROSTED TALL
WIRE GUARD - FITS FJ2



CEILING MOUNT

(SEE MOUNTING PAGES FOR MORE OPTIONS & CANOPY DIMENSIONS.)

HM / AT / PM

HANG STRAIGHT / ALL THREAD / PENDANT



WS2414GV SHOWN WITH RDC5PM

CD

CORD / CABLE MOUNT



WS2414GV SHOWN WITH RDC5CD

CM

CORD MOUNT



WS2414GV SHOWN WITH RDC5CM





GIANT WAREHOUSE SHADE

DAMP / WET LOCATION

CLASSIC SHAPES / PHOTOMETRIC DATA

WS2414GV 55L 35K TF2 MWI

| CANDLEPOWER CURVE TEST SP-01 121 | INTENSITY CANDELA 0° AZIMUTH | ZONAL LUMENS | SINGLE UNIT: PERFORMANCE INITIAL FOOTCANDLES BASED ON IES BEAM ANGLE | | | | MULTIPLE UNITS: PERFORMANCE 80/50/20% REFLECTANCES INITIAL FOOTCANDLES AND WATTS PER SQUARE FOOT | | | | | | | | | |
|---|---------------------------------------|---|---|-----------------------------|------------------|-----------------------|--|--------------------|-------|--|-------|----------------------|------|---------------------|------|--|
| | | | Mounting Height AFF | FC at Center on Floor | Beam Diameter | FC at Beam Edge | Ceiling Height | Fixture Spacing | RCR 2 | | RCR 4 | | | | | |
| | 0.00° | | 0° - 10° | 177 | 4% | 6.0' | 50 fc | 18.0' | 4 fc | 14' | 10' | 47 | 0.43 | 24 | 0.28 | |
| | 0.00° 1,794 | | 0° - 20° | 665 | 15% | 8.0' | 28 fc | 24.0' | 2 fc | 18' | 12' | 23 | 0.21 | 27 | 0.31 | |
| | 5.00° 1,788 | | 0° - 30° | 1,404 | 31% | 10.0' | 18 fc | 30.0' | 2 fc | 22' | 14' | 20 | 0.18 | 16 | 0.18 | |
| | 10.00° 1,767 | | 0° - 40° | 2,303 | 50% | 12.0' | 12 fc | 36.0' | 1 fc | Delivered Illuminance Rating: (DIR) | | 109 FC per W/Sq. Ft. | | 86 FC per W/Sq. Ft. | | |
| | 15.00° 1,732 | | 0° - 60° | 4,082 | 89% | 14.0' | 9 fc | 42.0' | 1 fc | 2' Suspension Length to luminous height midpoint Square rooms used for multiple units: RCR 2: Length & Width = Ceiling Ht. - 4.5' x 5.00 RCR 4: Length & Width = Ceiling Ht. - 4.5' x 2.50 + Average Footcandles at 2.5' Above Floor | | | | | | |
| | 20.00° 1,675 | | 0° - 80° | 4,549 | 100% | 16.0' | 7 fc | 47.9' | 1 fc | | | | | | | |
| | 30.00° 1,526 | | 0° - 90° | 4,570 | 100% | 20.0' | 4 fc | 59.9' | 0 fc | | | | | | | |
| | 40.00° 1,338 | | Total | 4,570 | 100% | 24.0' | 3 fc | 71.9' | 0 fc | | | | | | | |
| | 50.00° 1,107 | | | | | | | | | | | | | | | |
| | 60.00° 685 | | | | | | | | | | | | | | | |
| | 70.00° 153 | | | | | | | | | | | | | | | |
| | 80.00° 49 | | | | | | | | | | | | | | | |
| 90.00° 1 | | | | | | | | | | | | | | | | |
| Delivered Lumens: 4,570 Luminaire Watts: 39 LER: 117.18 | CP at 0deg (Nadir): 1,794 CRI: 83+ | Beam Angle: 112.56 Spacing Ratio: 1.26 | Lumen Multiplier: 15L x 0.27, 27L x 0.47, 37L x 0.68 CCT Multiplier: 27K x 0.97, 30K x .99, 40K x 1.03 | | | | | | | | | | | | | |

WS3617GV 55L 35K TF2 MWI

| CANDLEPOWER CURVE TEST SP-01 125 | INTENSITY CANDELA 0° AZIMUTH | ZONAL LUMENS | SINGLE UNIT: PERFORMANCE INITIAL FOOTCANDLES BASED ON IES BEAM ANGLE | | | | MULTIPLE UNITS: PERFORMANCE 80/50/20% REFLECTANCES INITIAL FOOTCANDLES AND WATTS PER SQUARE FOOT | | | | | | | | | |
|---|---------------------------------------|---|---|-----------------------------|------------------|-----------------------|--|--------------------|-------|--|-------|----------------------|------|---------------------|------|--|
| | | | Mounting Height AFF | FC at Center on Floor | Beam Diameter | FC at Beam Edge | Ceiling Height | Fixture Spacing | RCR 2 | | RCR 4 | | | | | |
| | 0.00° | | 0° - 10° | 177 | 4% | 6.0' | 50 fc | 18.1' | 4 fc | 14' | 10' | 47 | 0.43 | 24 | 0.28 | |
| | 0.00° 1,797 | | 0° - 20° | 660 | 15% | 8.0' | 28 fc | 24.1' | 2 fc | 18' | 12' | 23 | 0.21 | 26 | 0.31 | |
| | 5.00° 1,795 | | 0° - 30° | 1,392 | 31% | 10.0' | 18 fc | 30.1' | 2 fc | 22' | 14' | 20 | 0.18 | 16 | 0.18 | |
| | 10.00° 1,759 | | 0° - 40° | 2,286 | 50% | 12.0' | 12 fc | 36.2' | 1 fc | Delivered Illuminance Rating: (DIR) | | 108 FC per W/Sq. Ft. | | 86 FC per W/Sq. Ft. | | |
| | 15.00° 1,711 | | 0° - 60° | 4,062 | 90% | 14.0' | 9 fc | 42.2' | 1 fc | 2' Suspension Length to luminous height midpoint Square rooms used for multiple units: RCR 2: Length & Width = Ceiling Ht. - 4.5' x 5.00 RCR 4: Length & Width = Ceiling Ht. - 4.5' x 2.50 + Average Footcandles at 2.5' Above Floor | | | | | | |
| | 20.00° 1,654 | | 0° - 80° | 4,518 | 100% | 16.0' | 7 fc | 48.2' | 1 fc | | | | | | | |
| | 30.00° 1,514 | | 0° - 90° | 4,533 | 100% | 20.0' | 4 fc | 60.3' | 0 fc | | | | | | | |
| | 40.00° 1,334 | | Total | 4,533 | 100% | 24.0' | 3 fc | 72.3' | 0 fc | | | | | | | |
| | 50.00° 1,093 | | | | | | | | | | | | | | | |
| | 60.00° 727 | | | | | | | | | | | | | | | |
| | 70.00° 127 | | | | | | | | | | | | | | | |
| | 80.00° 38 | | | | | | | | | | | | | | | |
| 90.00° 1 | | | | | | | | | | | | | | | | |
| Delivered Lumens: 4,533 Luminaire Watts: 39 LER: 116.23 | CP at 0deg (Nadir): 1,797 CRI: 83+ | Beam Angle: 112.85 Spacing Ratio: 1.25 | Lumen Multiplier: 15L x 0.27, 27L x 0.47, 37L x 0.68 CCT Multiplier: 27K x 0.97, 30K x .99, 40K x 1.03 | | | | | | | | | | | | | |

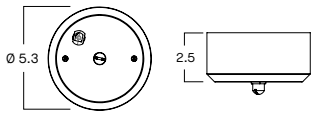
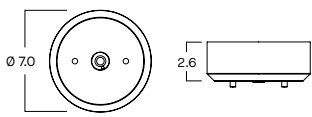
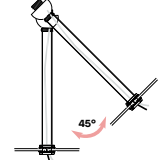
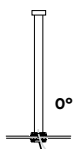
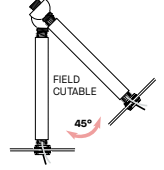

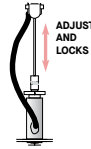



MOUNTING & ACCESSORIES

SOME OPTIONS NOT AVAILABLE ON ALL FIXTURES, CONSULT SPECIFICATION SHEETS. SEE INDIVIDUAL SPECIFICATION SHEETS OR CONSULT FACTORY FOR ADDITIONAL INFORMATION. NOTE: THIS IS TYPICAL OF RLM SPECIFICATION FOR MOUNTING. INDIVIDUAL FIXTURES OR PROJECTS MAY HAVE SPECIALIZED REQUIREMENTS.



CEILING MOUNTING

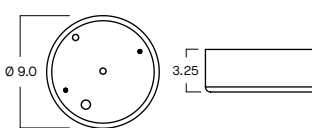
| | | | | | |
|--|--|---|---|--|--|
| <p>RDC5 - SMALL DRIVER CANOPY (STANDARD) MOUNTS TO 4" OCTO J-BOX</p>  <p>CP13 - LARGE DRIVER CANOPY</p>  | <p>HM* HANG STRAIGHT 45° SWIVEL 5/8" OD STEM - 3/8" IP</p>  <p>ORDER: HM (Length) SPECIFY LENGTH: HM3 - 3" HM24 - 24" HM6 - 6" HM36 - 36" HM12 - 12" HM48 - 48" HM18 - 18" HM72 - 72" HMLC(XX) Custom Length (Specify in Inches)</p> | <p>PM* RIGID PENDANT MOUNT RIGID 5/8" OD STEM - 3/8" IP</p>  <p>ORDER: PM (Length) SPECIFY LENGTH: PM3 - 3" PM24 - 24" PM6 - 6" PM36 - 36" PM12 - 12" PM48 - 48" PM18 - 18" PM72 - 72" PMLC(XX) Custom Length (Specify in Inches)</p> | <p>AT** HANG STRAIGHT ALL THREAD 45° SWIVEL 5/8" OD STEM - 1/4" IP</p>  <p>ORDER: AT (Length) SPECIFY LENGTH: AT12 - 12" AT24 - 24" AT36 - 36" AT48 - 48" AT60 - 60" AT72 - 72"</p> <p>FIELD CUT: THREADED PIPE TO LENGTH NEEDED. CUT PIPE COVER 1/4" SHORTER THAN THREADED PIPE. SUP. PIPE COVER OVER THREADED PIPE.</p>  | <p>CD CORD / CABLE MOUNT SJ CORD WITH 1/16 SS CABLE</p>  <p>ORDER: CD (Length) SPECIFY LENGTH: CD36 - 36" CD72 - 72" CD144 - 144" CDLC(XX) Custom Length (Specify in Inches)</p> | <p>CM CORD MOUNT SJ CORD WITH STRAIN RELIEF</p>  <p>ORDER: CM (Length) SPECIFY LENGTH: CM36 - 36" CM72 - 72" CM144 - 144" CMLC(XX) Custom Length (Specify in Inches)</p> |
|--|--|---|---|--|--|

*MAXIMUM ONE PIECE STEM LENGTH IS 72". **MAXIMUM ONE PIECE STEM LENGTH IS 36". LONGER LENGTHS ARE POSSIBLE USING MULTIPLE STEMS AND COUPLERS.

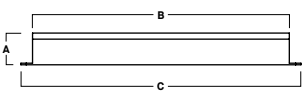
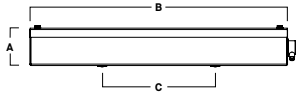
**ORDER IN 12" INCREMENTS, ODD SIZES MAY BE FIELD CUT

EMERGENCY BATTERY OPTIONS

EMCR - LARGE DRIVER CANOPY FOR 10W EMERGENCY BATTERY (FOR ROUND CEILING MOUNT TYPES)



REMOTE EMERGENCY BATTERY OPTIONS

| <p>EMRM* - 7W REMOTE EMERGENCY BATTERY (50' MAX)</p>  <table border="1"> <thead> <tr> <th>A</th> <th>B</th> <th>C</th> </tr> </thead> <tbody> <tr> <td>1.3</td> <td>12.6</td> <td>13.0</td> </tr> </tbody> </table> | A | B | C | 1.3 | 12.6 | 13.0 | <p>EMEN* - 7W REMOTE EMERGENCY BATTERY WITH ENCLOSURE (50' MAX)</p>  <table border="1"> <thead> <tr> <th>A</th> <th>B</th> <th>C</th> </tr> </thead> <tbody> <tr> <td>2.0</td> <td>17.0</td> <td>6.2</td> </tr> </tbody> </table> | A | B | C | 2.0 | 17.0 | 6.2 |
|---|------|------|---|-----|------|------|--|---|---|---|-----|------|-----|
| A | B | C | | | | | | | | | | | |
| 1.3 | 12.6 | 13.0 | | | | | | | | | | | |
| A | B | C | | | | | | | | | | | |
| 2.0 | 17.0 | 6.2 | | | | | | | | | | | |

*OTHER EM BATTERY SIZES AVAILABLE, CONTACT FACTORY.

