



I F O 3

 **3" RECESSED SERIES ROUND AND SQUARE APERTURE**

80 & 90 CRI WHITES - 22K & DIM TO WARM SPECIALTY 90 CRI

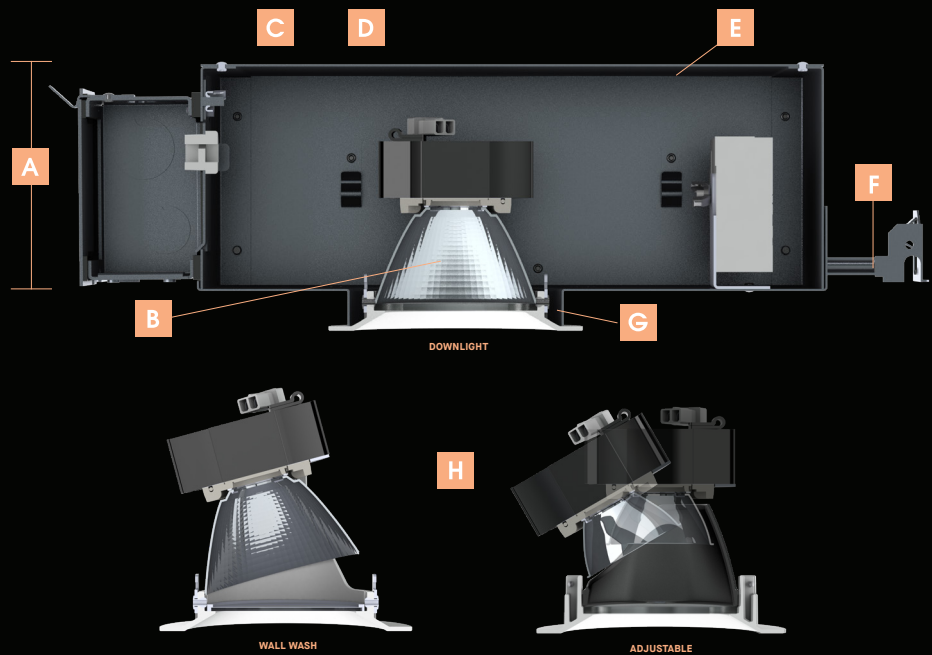
REASONS TO SPECIFY



The Infinium 3" Series (IF03) is designed for residential, hospitality, office interiors and other projects where a clean, high performance, visually comfortable, small aperture downlight is required.

KEY FEATURES

- A** SHALLOW PLENUM DEPTH
- B** VISUALLY COMFORTABLE OPTICAL DESIGN
- C** EASY ACCESS TO DRIVER & LED FOR MAINTENANCE
- D** MLV/ELV PHASE DIMMING OR 0-10V 1% DIMMING
- E** OPTIONAL INSULATED CEILING OR REMODEL FIXTURES
- F** ADJUSTABLE BAR HANGERS FOR GRID OR DRYWALL
- G** INTEGRAL PLASTER RING
- H** ONE FRAME AVAILABLE WITH WET LOCATION OPTION, AND INTERCHANGEABLE DOWNLIGHT WALL WASH, OR ADJUSTABLE ACCENT TRIM OPTION



FINISHES

At Spectrum Lighting, visual comfort is very important to us. The Infinium 3" Series is designed with a deep primary optical reflector to focus light and reduce visual imaging. It also features a low sheen matte finish die cast aluminum trim plate. The finish colors we offer blend into a variety of applications and interiors. All finish operations are performed in house with care on our state-of-the-art powder coating line.

TRIM FINISH OPTIONS



LED OPTIONS

STANDARD WHITE LEDs

Spectrum's standard white LEDs are high quality 2 macadam ellipse binning and are most commonly used in office, residential, commercial and hospitality environments.

27K, 30K, 35K & 40K @ 80 CRI
27K & 30K @ 90 CRI

16K 22K 27K 30K 35K 40K

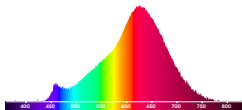
SPECIALTY LEDs

Spectrum's specialty LEDs are designed for applications like restaurants, residential, hospitality and other areas where warmer or varied color temperatures are desired.

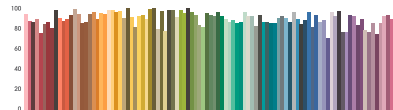
22K @ 90 CRI

Our extra warm 2200K closely resembles candle light and will appear warmer and more inviting than 2700K.

SPECTRA



FIDELITY INDEX

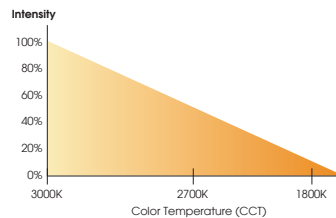


DIM TO WARM @ 90 CRI

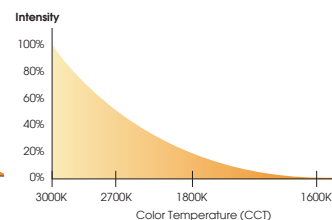
Dimming from 3000K to 1600K, Spectrum's Infinium Dim To Warm series mimics halogen lamps which become warmer in color when dimmed resulting in a cozy, subtly lighted atmosphere.

DIMMING BEHAVIOR

PHASE DIMMING (LINEAR)



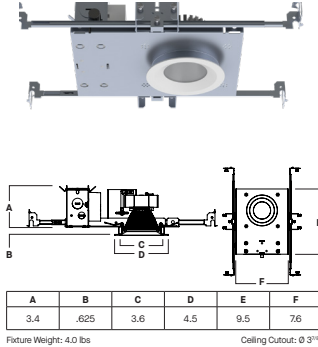
O-10V DIMMING (LOGARITHMIC)



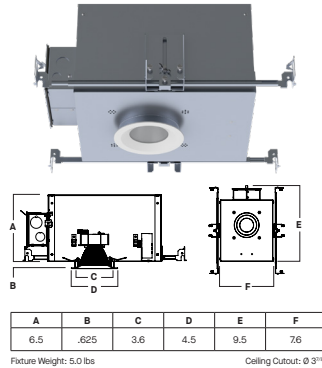
3" ROUND

ROUND HOUSING TYPES

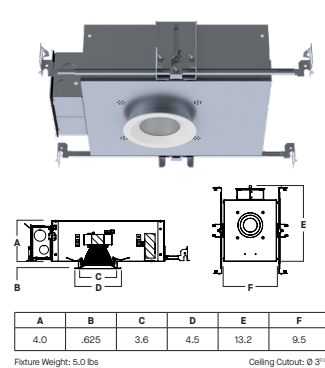
IF03RMF NC - New Construction



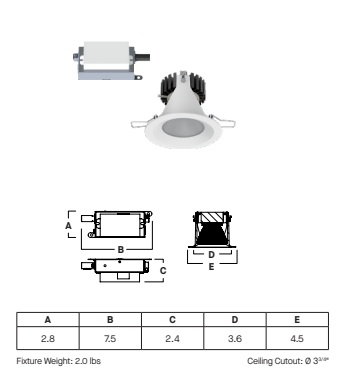
IF03RMF IC - IC New Construction



IF03RSF IC - Shallow IC New Construction



IF03RMF RT - Remodel Construction



ROUND TRIM TYPES

DL - Downlight Module



PH - Pinhole Module



WW - Wall Wash Module



AA - Adjustable Module (30°)



ORDERING

1. SELECT HOUSING TYPE

FLANGED

- IF03RMF NC - New Construction
- IF03RMF IC - IC New Construction
- IF03RSF IC - Shallow IC New Construction
- IF03RMF RT - Remodel Construction

FLANGELESS

- IF03RMN NC - New Construction
- IF03RMN IC - IC New Construction
- IF03RSN IC - Shallow IC New Construction
- IF03RMN RT - Remodel Construction

2. SELECT EMITTER TYPE AND LUMEN PACKAGE

STANDARD

EMITTER

- PC - Phillips LED

CRI/CCT

90 MINIMUM	80 MINIMUM
922 - 2200K	827 - 2700K
927 - 2700K	830 - 3000K
930 - 3000K	835 - 3500K
	840 - 4000K

LUMENS

- 007 - 537 Lm
- 010 - 751 Lm
- 015 - 1046 Lm
- 020 - 1341 Lm (N/A for Shallow)

OPTIONS

- PR - 1.25" Ceiling Extension

DIM TO WARM

EMITTER

- DW - Dim to Warm

CRI/CCT

- DD1 - 30-16K Dim to Warm

LUMENS

- 007 - 502 Lm
- 010 - 647 Lm
- 015 - 1057 Lm
- 020 - 1321 Lm (N/A for Shallow)

3. SELECT DIMMING & MOUNTING (BATTERY OPTIONS AVAILABLE)

DIMMING (AVAILABLE WITH PC EMITTER)

- N1(1/2) - Non-Dimming Driver
- D1(1/2) - 1%, 0-10V
- D3(1) - 1%, ELV/MLV Phase Cut (120V)

DIMMING (AVAILABLE WITH DW EMITTER)

- D1(1/2) - 1%, 0-10V
- D3(1) - 1%, ELV/MLV Phase Cut (120V)

MOUNTING

- B1 - Expandable Bar Hangers (NC / IC Only)
- B0 - No Bar Hangers (RT Only) (N/A for Shallow)

BATTERY

- EI - 7W Integral Battery (N/A for IC or Shallow)
- ER - 7W Remote Battery

4. SELECT TRIM TYPE & TRIM OPTIONS

TRIM TYPES

- DL - Downlight
- PH - Pinhole Downlight (N/A with Flangeless Housing)
- AA - Adjustable Accent (N/A with Flangeless Housing)
- WW - Wall Wash

BEAM

- SP - Spot (DL / PH Only)
- NF - Narrow Flood (DL / PH / AA Only)
- FL - Flood (DL / PH / AA Only)
- WF - Wide Spot

LENS

- GN - No Lens (N/A with Wet Location)
- GP - Solite™ Micro Prism Lens
- GC - Clear Glass Lens
- LW - Wall Wash Lens (Wall Wash Only)

FINISH

- MW / MB / PT - Matte White / Matte Black / Platinum Silver (More Colors Available)
- CC - Custom Color

FLANGE FINISH (N/A WITH FLANGELESS HOUSING)

- MF - Matching Flange
- WF - White Flange (Use w/ Non-White Trim Finish)

OPTION

- WL - Wet Location (Requires GP or GC Lens)

ACCESSORIES

- GRIF03R - Round Goof Ring
- MW / MB / PT
- B2 - 27" Solid Bar Hangers
- B4 - 24" C-Channel Bar Hangers

TRIM OPTIONS

HOUSING

HOUSING OPTIONS

SEPARATE

ORDER EXAMPLE

IF03RMFNCDD1007 / D12B1 / DLNFGCMWFWL

HOUSING

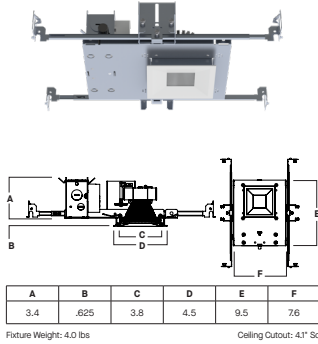
HOUSING OPTIONS

TRIM OPTIONS

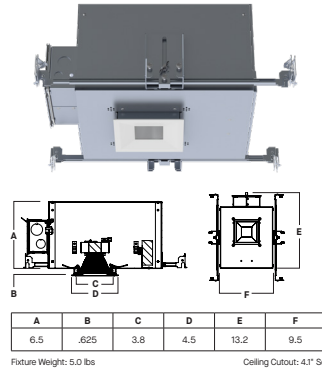
3" SQUARE

SQUARE HOUSING TYPES

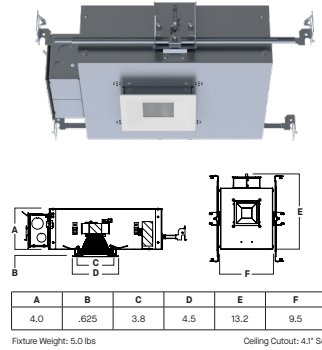
IF03SMF NC - New Construction



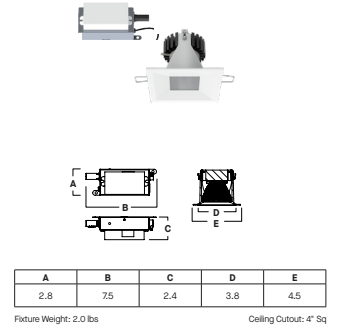
IF03SMF IC - IC New Construction



IF03SSF IC - Shallow IC New Construction



IF03SMF RT - Remodel Construction



SQUARE TRIM TYPES

DL - Downlight Module



PH - Pinhole Module



WW - Wall Wash Module



AA - Adjustable Module (30°)



ORDERING

1. SELECT HOUSING TYPE

FLANGED

- IF03SMF NC - New Construction
- IF03SMF IC - IC New Construction
- IF03SSF IC - Shallow IC New Construction
- IF03SMF RT - Remodel Construction

FLANGELESS

- IF03SMN NC - New Construction
- IF03SMN IC - IC New Construction
- IF03SSN IC - Shallow IC New Construction
- IF03SMN RT - Remodel Construction

2. SELECT EMITTER TYPE AND LUMEN PACKAGE

STANDARD

EMITTER

- PC - Phillips LED

CRI/CCT

90 MINIMUM	80 MINIMUM
922 - 2200K	827 - 2700K
927 - 2700K	830 - 3000K
930 - 3000K	835 - 3500K
	840 - 4000K

LUMENS

- 007 - 537 Lm
- 010 - 751 Lm
- 015 - 1046 Lm
- 020 - 1341 Lm (N/A for Shallow)

OPTIONS

- PR - 1.25" Ceiling Extension

DIM TO WARM

EMITTER

- DW - Dim to Warm

CRI/CCT

- DD1 - 30-16K Dim to Warm

LUMENS

- 007 - 502 Lm
- 010 - 647 Lm
- 015 - 1057 Lm
- 020 - 1321 Lm (N/A for Shallow)

3. SELECT DIMMING & MOUNTING (BATTERY OPTIONS AVAILABLE)

DIMMING (AVAILABLE WITH PC EMITTER)

- N1(1/2) - Non-Dimming Driver
- D1 (1/2) - 1%, 0-10V
- D3(1) - 1%, ELV/MLV Phase Cut (120V)

DIMMING (AVAILABLE WITH DW EMITTER)

- D1 (1/2) - 1%, 0-10V
- D3(1) - 1%, ELV/MLV Phase Cut (120V)

MOUNTING

- B1 - Expandable Bar Hangers (NC / IC Only)
- BO - No Bar Hangers (RT Only) (N/A for Shallow)

BATTERY

- EI - 7W Integral Battery (N/A for IC or Shallow)
- ER - 7W Remote Battery

4. SELECT TRIM TYPE & TRIM OPTIONS

TRIM TYPES

- DL - Downlight
- PH - Pinhole Downlight (N/A with Flangeless Housing)
- AA - Adjustable Accent (N/A with Flangeless Housing)
- WW - Wall Wash

BEAM

- SP - Spot (DL / PH Only)
- NF - Narrow Flood (DL / PH / AA Only)
- FL - Flood (DL / PH / AA Only)
- WF - Wide Spot

LENS

- GN - No Lens (N/A with Wet Location)
- GP - Solite™ Micro Prism Lens
- GC - Clear Glass Lens
- LW - Wall Wash Lens (Wall Wash Only)

FINISH

- MW / MB / PT - Matte White / Matte Black / Platinum Silver (More Colors Available)
- CC - Custom Color

FLANGE FINISH (N/A WITH FLANGELESS HOUSING)

- MF - Matching Flange
- WF - White Flange (Use w/ Non-White Trim Finish)

OPTION

- WL - Wet Location (Requires GP or GC Lens)

ACCESSORIES

- GRIF03S - Square Goof Ring
- MW / MB / PT
- B2 - 27" Solid Bar Hangers
- B4 - 24" C-Channel Bar Hangers

TRIM OPTIONS

HOUSING

HOUSING OPTIONS

SEPARATE

ORDER EXAMPLE

IF03SMFNCWDD1007 / D12B1 / DLNFGCMWFWL

HOUSING

HOUSING OPTIONS

TRIM OPTIONS



PROUDLY MADE IN THE U.S.A.

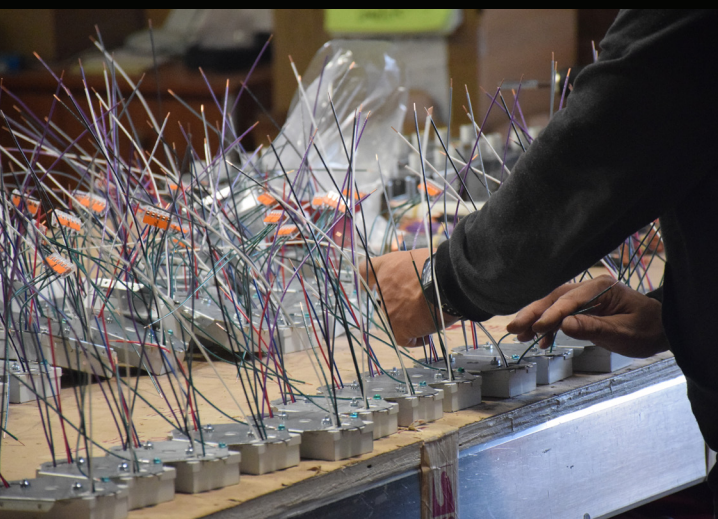
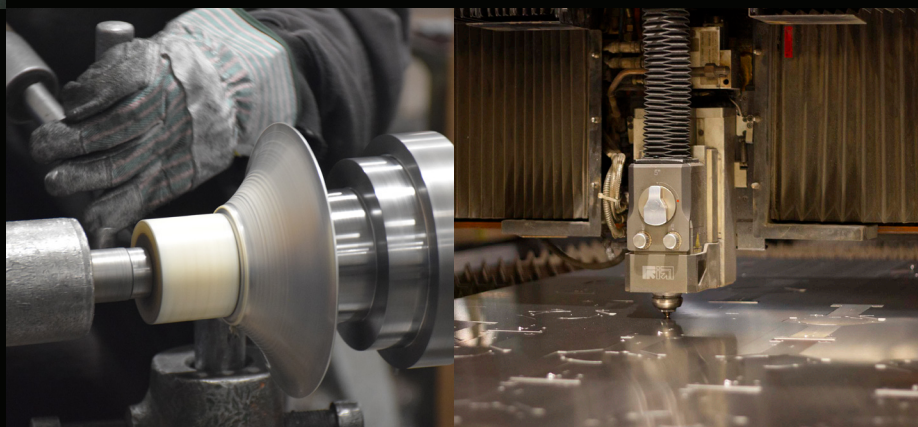
At Spectrum Lighting we understand the importance of meeting budgets, quality and delivery of lighting fixtures on your projects. To achieve these important requirements, Spectrum Lighting is proud to design and manufacture all fixtures in our 250,000 square foot Massachusetts factory. This allows us to control production volume, speed, cost and quality right here in the USA. We work on both large and small projects and treats each job with the same level of care.

PROCESS CONTROL

All fixtures as well as most major components are manufactured in house.

State of the art equipment, like our new fiber laser.

Time honored metalworking skills: metal spinning, machining and welding.



VISUAL COMFORT

We constantly survey the market for the best quality LEDs, electronics, optics, controls and other materials. We bring you these materials in visually comfortable, uniquely designed, easy to maintain lighting fixtures.

GREATEST RESOURCE

Our greatest resource is our people. Our team works together to grow the company and help our customers. We are here to serve you with technical information, customer service and warranty support.

DELIVERY TO EXPECTATIONS

The final result is a project we all can be proud of that will deliver years of trouble free, quality illumination.

Attention to detail.
Precision crafted quality.
Personal service with every order.



ILLUMINATING WHAT'S POSSIBLE

994 JEFFERSON ST. FALL RIVER, MA 02721
WWW.SPECLIGHT.COM • 508.678.2303

