



ALUMINUM DECO TIER
DAMP LOCATION
 GV SERIES

PROJECT: _____

QUANTITY: _____ TYPE: _____



RT0608GV
 PT - Platinum Silver



RT0608GV
 GB - Gloss Black



RT0608GV
 AC - Anodic Champagne



RT0608GV
 BZ - Bronze

SERIES	LUMENS ¹	CCT	DRIVER / DIMMING ²	MOUNTING ³	FINISH ⁵
RT0608GV	15L 1500 Lm 27L 2700 Lm	27K 2700K 30K 3000K 35K 3500K 40K 4000K	EX Electronic Driver, 120V/277V DO10X 1% 0-10V, 120V/277V DS2W1 ELV/MLV, 120V	HM ⁴ Hang Straight AT ⁴ Hang Straight All Thread PM ⁴ Rigid Pendant Mount CD ⁴ Cord / Cable Mount CM ⁴ Cord Mount SM Surface Mount EMCR 10W Canopy Mounted EM EMRM 7W Remote EM EMEN 7W Remote with Enclosure	MW ⁶ Matte White MB ⁶ Matte Black PT ⁶ Platinum Silver CC Custom Color

EXAMPLE: RT0608GV15L27KEX/CD36MW

NOTES:
 1 Nominal Source Lumens at 35K 2 Contact Factory for Additional Options 3 See Mounting Page for Details on Components and Finishes 4 Specify Length in Inches:
 See Mounting Page for Available Lengths 5 Reference Color Sheet Located on Product Webpage for Full List of Available Colors 6 Standard Finishes





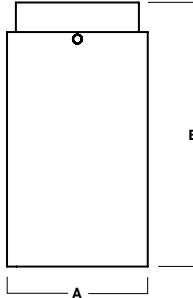
ALUMINUM DECO TIER DAMP LOCATION GV SERIES

DECORATIVE

LUMENS / WATTAGE DATA				
PART NUMBER	SOURCE LUMENS ¹	DELIVERED LUMENS ²	SYSTEM WATTS	LPW
RT0608GV15L	1500	833	11	76
RT0608GV27L	2700	1461	18	79

¹Nominal Source Lumens at 35K ² Nominal Delivered Lumens at 35K

HOUSING DIMENSIONS



A	B
6.0	11.3
152.4 mm	287.0 mm

APPLICATION

Aluminum Deco Tier features floating aluminum shade to obscure the light source and cast a subtle pattern of light onto the ceiling.

FEATURES

Specume series fixtures offer simple contemporary style with functional luminaire performance. Fixtures are designed and manufactured in our factory. LED module and drivers are replaceable and upgradable. Electronic LED Driver in canopy for thermal management. A variety of finishes and mounting options are available.

FINISH

Multi-stage polyester powder-coat process applied on our dedicated paint lines. See mounting and color pages for standard finishes.

ELECTRONICS

GV LED system features high brightness white Samsung LED's. 3-step MacAdam Ellipse binning. Standard CRI: 80+. Higher CRI, R9 and custom LED configurations are available; consult factory. Variety of electronic 120V/277V and dimming drivers.

CONSTRUCTION

Spun and machined aluminum.

CODE COMPLIANCE

BAA compliant. ETL certified to meet US and Canadian standards. Suitable for dry or damp locations. Manufactured and tested to UL standards No. 1598/8750.

CEILING MOUNT

(SEE MOUNTING PAGES FOR MORE OPTIONS & CANOPY DIMENSIONS.)

HM / PM / AT
HANG STRAIGHT / PENDANT



RT0608GV SHOWN WITH PM

CD
CORD / CABLE MOUNT



RT0608GV SHOWN WITH CD

CM
CORD MOUNT



RT0608GV SHOWN WITH CM

SM
SURFACE MOUNT



RT0608GV SHOWN WITH SM





ALUMINUM DECO TIER

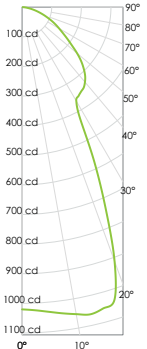
DAMP LOCATION

GV SERIES

DECORATIVE

RT0608GV 27L 35K XX MW

CANDLEPOWER CURVE TEST SP-00622_1	INTENSITY CANDELA 0° AZIMUTH	ZONAL LUMENS		SINGLE UNIT: PERFORMANCE DIRECT FOOTCANDLES BASED ON DOWNLIGHT ONLY				MULTIPLE UNITS: PERFORMANCE 80/50/20% REFLECTANCES INITIAL FOOTCANDLES AND WATTS PER SQUARE FOOT											
		0° - 10°	0° - 20°	0° - 30°	0° - 40°	0° - 60°	0° - 80°	0° - 90°	Total	Mounting Height AFF	FC at Center on Floor	Beam Diameter	FC at Beam Edge	Ceiling Height	Fixture Spacing	RCR 2		RCR 4	
	0.00°	0° - 10°	0° - 20°	0° - 30°	0° - 40°	0° - 60°	0° - 80°	0° - 90°	Total							FC *	W/Sq. Ft.	FC *	W/Sq. Ft.
	0.00° 1,020	101	393	665	885	1,279	1,442	1,454	1,461	6.0'	28 fc	5.8'	10 fc	14'	8'	22	0.29	18	0.29
	5.00° 1,032									8.0'	16 fc	7.7'	6 fc	18'	10'	15	0.20	9	0.15
	10.00° 1,052									10.0'	10 fc	9.6'	4 fc	22'	12'	9	0.12	9	0.15
	15.00° 1,054									12.0'	7 fc	11.6'	3 fc	Delivered Illuminance Rating: (DIR)		75 FC per W/Sq. Ft.		61 FC per W/Sq. Ft.	
	20.00° 913									14.0'	5 fc	13.5'	2 fc	2' Suspension Length to luminous aperture Square rooms used for multiple units: RCR 2: Length & Width = Ceiling Ht. - 4.5' x 5.00 RCR 4: Length & Width = Ceiling Ht. - 4.5' x 2.50 * Average Footcandles at 2.5' Above Floor					
	30.00° 366									16.0'	4 fc	15.4'	1 fc						
	40.00° 330									20.0'	3 fc	19.3'	1 fc						
	50.00° 243									24.0'	2 fc	23.1'	1 fc						
	60.00° 145									Beam Angle: 51.47		Spacing Ratio: 0.87		Lumen Multiplier: 15L x 0.573		CCT Multiplier: 27K x 0.97, 30K x 0.99, 40K x 1.03			
	70.00° 78									CP at 0deg (Nadir): 1,020		CRI: 82							
	80.00° 27									Delivered Lumens: 1,461		Luminaire Watts: 18.4		LER: 79.40					
	90.00° 2																		

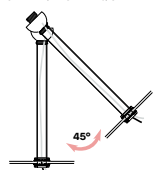
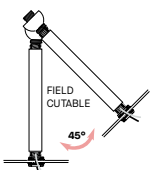
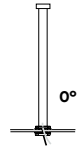
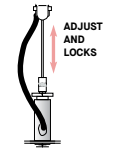



MOUNTING & ACCESSORIES

SOME OPTIONS NOT AVAILABLE ON ALL FIXTURES. CONSULT SPECIFICATION SHEETS. SEE INDIVIDUAL SPECIFICATION SHEETS OR CONSULT FACTORY FOR ADDITIONAL INFORMATION.
NOTE: THIS IS TYPICAL OF SPECLUME SPECIFICATION FOR PENDANT MOUNTING. INDIVIDUAL FIXTURES OR PROJECTS MAY HAVE SPECIALIZED REQUIREMENTS.



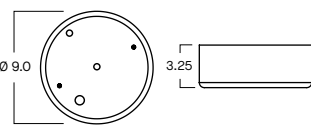
CEILING MOUNTING

<p>HM* HANG STRAIGHT 45° SWIVEL 1/2" STEM - 3/8" NPT</p>  <p>ORDER: HM (Length) SPECIFY LENGTH: HM3 - 3" HM24 - 24" HM6 - 6" HM36 - 36" HM12 - 12" HM48 - 48" HM18 - 18" HM72 - 72" HMLC(XX) Custom Length (Specify in Inches)</p>	<p>AT** HANG STRAIGHT ALL THREAD 45° SWIVEL 5/8" OD STEM - 1/4" IP</p>  <p>ORDER: AT (Length) SPECIFY LENGTH: AT12 - 12" AT48 - 48" AT24 - 24" AT60 - 60" AT36 - 36" AT72 - 72" <small>FIELD CUT THREADED PIPE FIELD LENGTH NEEDED CUT PIPE COVER - 1/4" SHORTER THAN THREADED PIPE SAP PIPE COVER OVER THREADED PIPE</small></p>	<p>PM* RIGID PENDANT MOUNT RIGID 1/2" STEM - 3/8" NPT</p>  <p>ORDER: PM (Length) SPECIFY LENGTH: PM3 - 3" PM24 - 24" PM6 - 6" PM36 - 36" PM12 - 12" PM48 - 48" PM18 - 18" PM72 - 72" PMLLC(XX) Custom Length (Specify in Inches)</p>	<p>CD CORD / CABLE MOUNT SJ CORD WITH 1/16 SS CABLE</p>  <p>ORDER: CD (Length) SPECIFY LENGTH: CD36 - 36" CD72 - 72" CD144 - 144" CDLC(XX) Custom Length (Specify in Inches)</p>	<p>CM CORD MOUNT SJ CORD WITH STRAIN RELIEF</p>  <p>ORDER: CM (Length) SPECIFY LENGTH: CM36 - 36" CM72 - 72" CM144 - 144" CMLC(XX) Custom Length (Specify in Inches)</p>
--	---	--	---	---

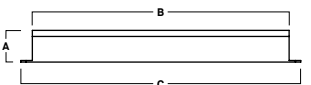
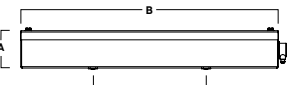
*MAXIMUM ONE PIECE STEM LENGTH IS 72". **MAXIMUM ONE PIECE STEM LENGTH IS 36". LONGER LENGTHS ARE POSSIBLE USING MULTIPLE STEMS AND COUPLERS.
**ORDER IN 12" INCREMENTS. ODD SIZES MAY BE FIELD CUT

EMERGENCY BATTERY OPTIONS

EMCR - LARGE DRIVER CANOPY FOR
10W EMERGENCY BATTERY
(FOR ROUND CEILING MOUNT TYPES)



REMOTE EMERGENCY BATTERY OPTIONS

<p>EMRM* - 7W REMOTE EMERGENCY BATTERY (50' MAX)</p>  <table border="1" data-bbox="576 1018 771 1060"> <thead> <tr> <th>A</th> <th>B</th> <th>C</th> </tr> </thead> <tbody> <tr> <td>1.3</td> <td>12.6</td> <td>13.0</td> </tr> </tbody> </table>	A	B	C	1.3	12.6	13.0	<p>EMEN* - 7W REMOTE EMERGENCY BATTERY WITH ENCLOSURE (50' MAX)</p>  <table border="1" data-bbox="950 1018 1144 1060"> <thead> <tr> <th>A</th> <th>B</th> <th>C</th> </tr> </thead> <tbody> <tr> <td>2.0</td> <td>17.0</td> <td>6.2</td> </tr> </tbody> </table>	A	B	C	2.0	17.0	6.2
A	B	C											
1.3	12.6	13.0											
A	B	C											
2.0	17.0	6.2											

*OTHER EM BATTERY SIZES AVAILABLE, CONSULT FACTORY