



# BISTRO PENDANT INCANDESCENT CYLINDRO

PROJECT: \_\_\_\_\_  
 QUANTITY: \_\_\_\_\_ TYPE: \_\_\_\_\_



## AF-INC

### APPLICATION

Bistro Pendant decorative area light is inspired by contemporary architecture. INC Series is designed for indoor damp locations or outdoor wet locations.

### FEATURES

Speculume series fixtures offer simple contemporary style with functional luminaire performance. All fixtures are designed and manufactured in our factory. The Bistro series features machined cast optical quality acrylic with decorative spun end caps. A variety of sizes, finishes and mounting available.

### FINISH

Multi-stage polyester powder-coat process applied on our dedicated paint lines. A wide variety of standard and custom finishes are available. All exposed materials are chromate pretreated to resist corrosion.

### ELECTRONICS

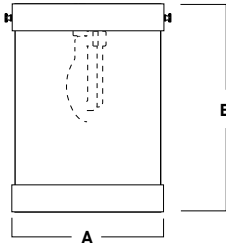
E26 Edison medium base 120V socket for incandescent or LED lamps.

### CONSTRUCTION

Fixtures constructed of spun, machined and formed aluminum and optical UV stabilized acrylic.

### CODE COMPLIANCE

BAA compliant. ETL certified to meet US and Canadian standards. Suitable for dry or damp locations. Manufactured and tested to UL standards No. 1598/8750



FIXTURE	A	B
AF0609	6.0	9.0
AF0616	6.0	16.0
AF0624	6.0	24.0
AF0810	8.0	10.0
AF0820	8.0	20.0

SERIES	MOUNTING/OPTIONS <sup>1</sup>	FINISH <sup>3</sup>	OPTIONAL LOWER LENS
<b>AF0609INC</b> <b>AF0618INC</b> <b>AF0624INC</b> <b>AF0810INC</b> <b>AF0820INC</b>	<b>CD_2</b> Cord and Cable Mount <b>HM_2</b> Hang Straight Pendant <b>AT_2</b> Hang Straight All Thread <b>PM_2</b> Pendant/Straight Mount <b>FS</b> Fuse Holder and Fuse	<b>MW<sup>4</sup></b> Matte White <b>MB<sup>4</sup></b> Matte Black <b>PT<sup>4</sup></b> Platinum Silver <b>CC</b> Custom Color	<b>GL6</b> 6" Clear Glass Lower Lens <b>FG6</b> 6" Frosted Glass Lower Lens <b>PG6</b> 6" Prismatic Glass Lower Lens <b>GL8</b> 8" Clear Glass Lower Lens <b>FG8</b> 8" Frosted Glass Lower Lens <b>PGB</b> 8" Prismatic Glass Lower Lens <b>TOP</b> Uplight Option

### EXAMPLE: AF0810INC/PM36BA PT

**NOTES:**  
 1 See Mounting Pages Options and Details on Components and Finishes 2 Specify Length in Inches: See Mounting Page for Available Lengths  
 3 Reference Color Sheet Located on Product Webpage for Full List of Available Colors/Consult Factory for Special Finishes 4 Standard Interior Finish

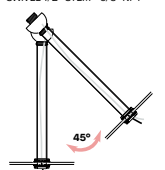
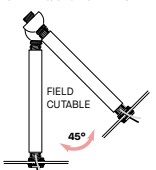

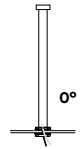
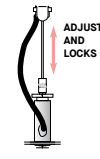


# MOUNTING & ACCESSORIES

SOME OPTIONS NOT AVAILABLE ON ALL FIXTURES. CONSULT SPECIFICATION SHEETS. SEE INDIVIDUAL SPECIFICATION SHEETS OR CONSULT FACTORY FOR ADDITIONAL INFORMATION.  
NOTE: THIS IS TYPICAL OF SPEC LUME SPECIFICATION FOR PENDANT MOUNTING. INDIVIDUAL FIXTURES OR PROJECTS MAY HAVE SPECIALIZED REQUIREMENTS.



## CEILING MOUNTING

<p><b>HM*</b> HANG STRAIGHT 45° SWIVEL 1/2" STEM - 3/8" NPT</p>  <p>ORDER: <b>HM</b> (Length) SPECIFY LENGTH: <b>HM3</b> - 3"    <b>HM24</b> - 24" <b>HM6</b> - 6"    <b>HM36</b> - 36" <b>HM12</b> - 12"    <b>HM48</b> - 48" <b>HM18</b> - 18"    <b>HM72</b> - 72" <b>HMLC(XX)</b> Custom Length (Specify in Inches)</p>	<p><b>AT**</b> HANG STRAIGHT ALL THREAD 45° SWIVEL 5/8" OD STEM - 1/4" IP</p>  <p>ORDER: <b>AT</b> (Length) SPECIFY LENGTH: <b>AT12</b> - 12"    <b>AT48</b> - 48" <b>AT24</b> - 24"    <b>AT60</b> - 60" <b>AT36</b> - 36"    <b>AT72</b> - 72"</p> <p><small>FIELD CUT THREADED PIPE FIELD LENGTH NEEDED CUT PIPE COVER - 1/4" SHORTER THAN THREADED PIPE SIP PIPE COVER OVER THREADED PIPE</small></p> 	<p><b>PM*</b> RIGID PENDANT MOUNT RIGID 1/2" STEM - 3/8" NPT</p>  <p>ORDER: <b>PM</b> (Length) SPECIFY LENGTH: <b>PM3</b> - 3"    <b>PM24</b> - 24" <b>PM6</b> - 6"    <b>PM36</b> - 36" <b>PM12</b> - 12"    <b>PM48</b> - 48" <b>PM18</b> - 18"    <b>PM72</b> - 72" <b>PMLLC(XX)</b> Custom Length (Specify in Inches)</p>	<p><b>CD</b> CORD / CABLE MOUNT SJ CORD WITH 1/16 SS CABLE</p>  <p>ORDER: <b>CD</b> (Length) SPECIFY LENGTH: <b>CD36</b> - 36" <b>CD72</b> - 72" <b>CD144</b> - 144" <b>CDLC(XX)</b> Custom Length (Specify in Inches)</p>
--	--	--	---

\*MAXIMUM ONE PIECE STEM LENGTH IS 72". \*\*MAXIMUM ONE PIECE STEM LENGTH IS 36". LONGER LENGTHS ARE POSSIBLE USING MULTIPLE STEMS AND COUPLERS.  
\*\*ORDER IN 12" INCREMENTS, ODD SIZES MAY BE FIELD CUT

