



36" High Bay 13400 Lm

Wide Distribution



PR3005LX

APPLICATION

30" Lumen Max LX Series high bay for wide area lighting in retail, gymnasiums, and open office areas.

FEATURES

PR3005LX single-stage optical system features smooth wide distribution. LED module and driver designed for ease of maintenance and replacement. Variety of mounting methods. Emergency battery backup option. Optional Safety Cable. See PR1605 and PR2405 for 16" and 24" options.

FINISH

Multi-stage polyester powder-coat process applied by our dedicated paint lines. A wide variety of standard and custom finishes are available. All exposed materials are chromate pretreated to resist corrosion.

ELECTRONICS

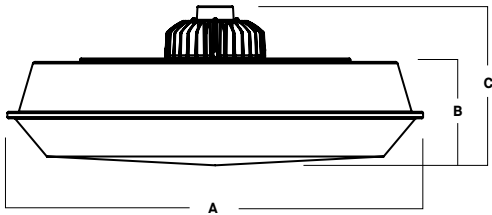
LED module features high brightness white Nichia LEDs. 3-step MacAdam Ellipse binning and CRI 80 minimum. Higher CRI, R9 and custom LED configurations are available; consult factory. Variety of electronic 120V/277V and dimming devices. Dual voltage 120V/277V drivers standard. LED module is 2 circuit with 2 drivers for multicircuit option as well as safety.

CONSTRUCTION

Housing constructed of spun and formed aluminum to resist corrosion. Die-cast aluminum heat sink. Graphite gasket for optimal thermal management. Refractor made of cast UV stabilized acrylic.

CODE COMPLIANCE

BAA compliant. Suitable for dry or damp locations. Manufactured and tested to UL standards No. 1598/8750.



A	B	C
30.5 774.7 mm	7.8 198.1 mm	12.4 315.0 mm

LUMENS / WATTAGE DATA			
PART NUMBER	DELIVERED LUMENS ¹	SYSTEM WATTS	LPW
PR3005LX65L	6321	56.2	112
PR3005LX100L	9475	81.1	117
PR3005LX130L	12481	103.9	120
PR3005LX140L	13421	108.7	123

¹ Nominal Delivered Lumens 35K at 80 CRI

SERIES	LUMENS ¹	CCT	DRIVER / DIMMING ²	OPTIONS ³	MOUNTING ⁴	FINISH ⁷	MOUNTING OPTION ⁹
PR3005LX	65L	6300 Lm	27K 2700K	FS Fusing WG30 30" Wire Guard SC1 Safety Cable	CP113 ⁵ Driver Compartment with Leads HM ⁶ Hang-Straight PM ⁶ Rigid Pendant Mount CD3X ⁶ 3 Cable Mount with Cord	MW ⁸ Matte White MB ⁸ Matte Black PT ⁸ Platinum Silver CC Custom Color	FCHMA Field Cuttable Mounting Kit for Hang Mount Fixtures
	100L	9500 Lm	30K 3000K				
	130L	12500 Lm	35K 3500K				
	140L	13400 Lm	40K 4000K				
			DS10X 10% 0-10V, 120V/277V DO10X 1% 0-10V, 120V/277V DO103 1% 0-10V, 347V		EMERGENCY BATTERY OPTIONS EMRM 7W Remote EM EMEN 7W Remote with Enclosure		

EXAMPLE: PR3005LX100L35KEX/CP113CD3×36/MW

NOTES:
¹ Nominal Delivered Lumens 35K at 80 CRI ² Contact Factory for Additional Options ³ See Product Options Page for Details ⁴ See Mounting Page for Details on Components and Finishes ⁵ CP113 Required ⁶ Specify Length in Inches: See Mounting Page for Available Lengths ⁷ Reference Color Sheet Located on Product Webpage for Full List of Available Colors ⁸ Standard Finishes ⁹ Field Cuttable Mounting Kit only Available with HM Stem



PROJECT: _____
 QUANTITY: _____ TYPE: _____



30" PRISMATIC DISC

DISCO SERIES / FIXTURE OPTIONS



STANDARD FINISHES

MW
MATTE WHITE



MB
MATTE BLACK

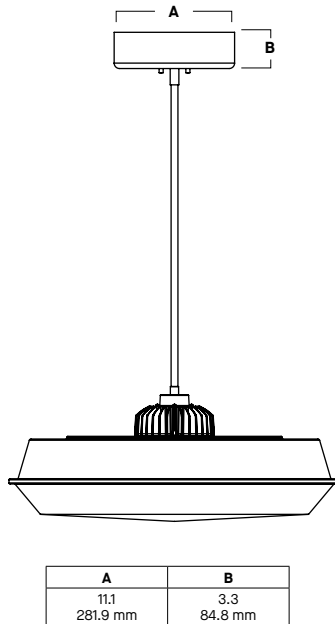


PT
PLATINUM SILVER

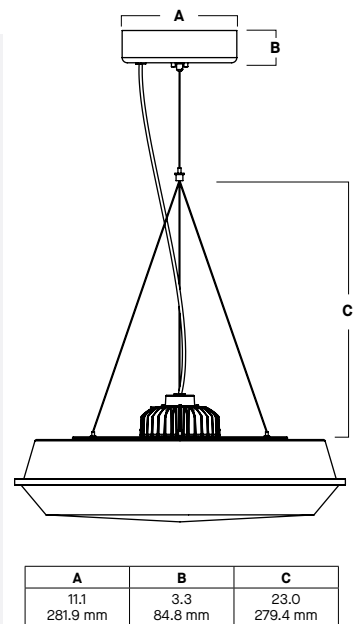


MOUNTING TYPES

HM / PM
HANG STRAIGHT / PENDANT

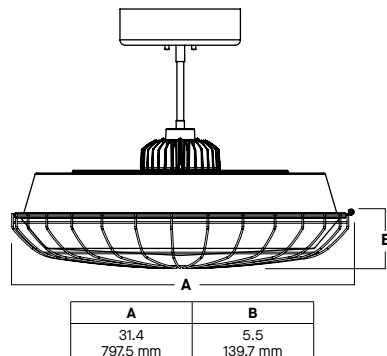


CD3X
3X CORD / CABLE MOUNT



ACCESSORIES

WG30
WIRE GUARD



MOUNTING & ACCESSORIES

SOME OPTIONS NOT AVAILABLE ON ALL FIXTURES. CONSULT SPECIFICATION SHEETS. SEE INDIVIDUAL SPECIFICATION SHEETS OR CONSULT FACTORY FOR ADDITIONAL INFORMATION. NOTE: THIS IS TYPICAL OF RLM SPECIFICATION FOR MOUNTING. INDIVIDUAL FIXTURES OR PROJECTS MAY HAVE SPECIALIZED REQUIREMENTS.



ADDITIONS

FS - Fusing

Slow blow type fuse protects fixture against voltage surges. Factory installed.



SAFETY CABLE OPTIONS

SC1 - Safety Cable

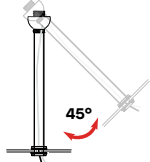
1/16" stainless steel safety cable for added support. Standard kit is 18" and double barrel locks are provided. Approved for California seismic requirements. Rated at 50 lbs.



MOUNTING TYPES

HM* - Hang Straight

45° SWIVEL 5/8" OD STEM - 3/8" IP



ORDER: **HM** (Length)

SPECIFY LENGTH:

HM3 - 3" **HM24** - 24"

HM6 - 6" **HM36** - 36"

HM12 - 12" **HM48** - 48"

HM18 - 18" **HM72** - 72"

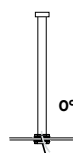
HMLC(XX)

Custom Length
(Specify in Inches)

TO TRIM HM STEM IN FIELD ORDER FCHMA KIT.

PM* - Rigid Pendant Mount

RIGID 5/8" OD STEM - 3/8" IP



ORDER: **PM** (Length)

SPECIFY LENGTH:

PM3 - 3" **PM24** - 24"

PM6 - 6" **PM36** - 36"

PM12 - 12" **PM48** - 48"

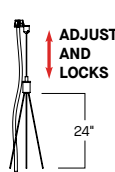
PM18 - 18" **PM72** - 72"

PMLC(XX)

Custom Length
(Specify in Inches)

CDX3 - Cord / Cable Mount

SJ CORD WITH 1/16 SS CABLE



ORDER: **CDX3** (Length)

SPECIFY LENGTH:

CD3x36 - 36"

CD3x72 - 72"

CD3x144 - 144"

CDLC3X(XX)

Custom Length
(Specify in Inches)

*MAXIMUM ONE PIECE STEM LENGTH IS 72".

LONGER LENGTHS ARE POSSIBLE USING MULTIPLE STEMS AND COUPLERS.

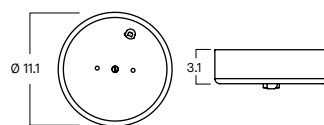
MOUNTING OPTION

FCHMA - Field Cuttable Mounting Kit For Hang Mount Fixtures



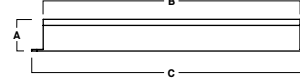
CEILING MOUNT CANOPY

CP113 - Driver Compartment with Leads (REQUIRED)



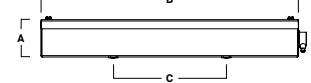
REMOTE EMERGENCY BATTERY OPTIONS

EMRM* - 7W Remote Emergency Battery (50' Max)



A	B	C
1.3	12.6	13.0

EMEN* - 7W Remote Emergency Battery with Enclosure (50' Max)



A	B	C
2.0	17.0	6.2

*OTHER EM BATTERY SIZES AVAILABLE. CONSULT FACTORY

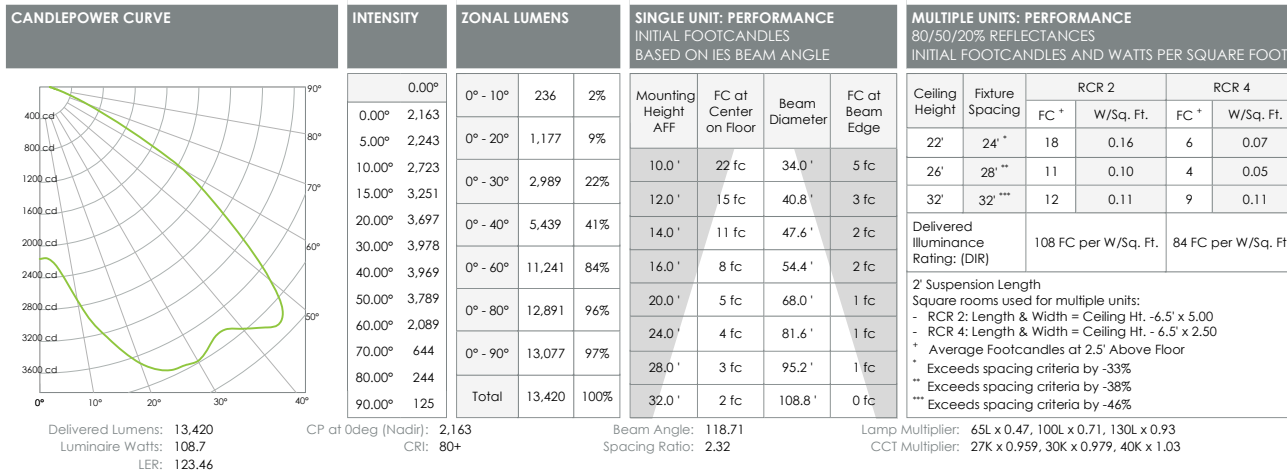


30" PRISMATIC DISC

DISCO SERIES / PHOTOMETRIC DATA

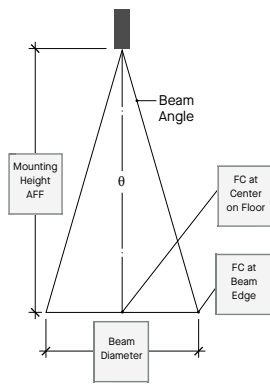


PR3005LX140L35KEX



HOW TO USE PERFORMANCE DATA

SINGLE UNIT



Cone of Light of a single, symmetrical beam luminaire. Direct initial illumination (FC) and Beam Angle diameter directly beneath fixture; shown at different distances from aperture to horizontal plane. Calculated using Inverse Square Law.

$$FC_H = CP \times (\cos \theta) \div D^2$$

$$\text{Beam Diam.} = \frac{1}{2} \text{Beam Angle (Tan)} \times 2D$$

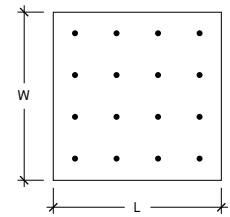
- CP Candela at 0° (Nadir)
- Cos θ Cosine of θ Angle
- D Distance (Mounting Height AFF)
- FC_H Footcandles, Horizontal
- Beam Angle Cone of light to 50% max. CP
- Beam Diam. Pattern of light at Beam Angle

MULTIPLE UNITS

Square grid layout of multiple luminaires in unfurnished, square rooms of different proportions (Room Cavity Ratios) with 80/50/20% room surface reflectances. 4' Suspension Length to aperture. Initial average illumination (FC) calculated at 2.5' above floor, using Zonal Cavity Method. W/Sq. Ft. of layout shown for each ceiling height and RCR.

Delivered Illuminance Rating (DIR®):
System performance indicator expressed as ratio of approximate initial FC per W/Sq. Ft. delivered to horizontal plane below, for the range of ceiling heights indicated.

- To estimate FC for Fixture Spacing that is different than shown (do not exceed Spacing Ratio):
 $FC = \text{Chart Spacing}^2 \div \text{Different Spacing}^2 \times \text{Chart FC}$
- To estimate Sq. Ft. per fixture for a specific target FC:
 $\text{Sq. Ft.} / \text{Fixture} = \text{Chart FC} \times \text{Chart Spacing}^2 \div \text{Target FC}$



- To estimate Fixture Quantity in a room:
 $\text{Fixture Qty.} = \text{Sq. Ft. of Rm.} \div \text{Sq. Ft. per fixture}$
- To estimate Watts/Sq. Ft.:
 $W / \text{Sq. Ft.} = \text{Luminaire Watts} \times \text{Qty.} \div \text{Sq. Ft. of Rm.}$

