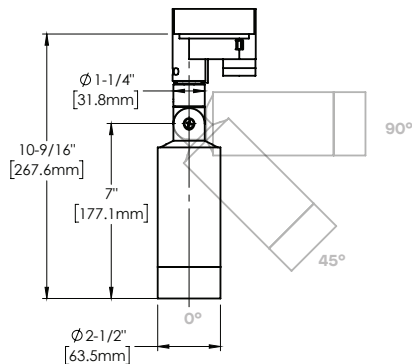




PRODUCT FEATURES

- Features 190° tilt and 335° rotation
- Standard white; 2 Step MacAdam Ellipse, 5 CCT's, from 2200K through 4000K, with CRI's up to 90
- Delivered Lumen packages from 760 Lm to 1350 Lm
- Dim-to-Warm: 3000K-to-1600K
- Exceptional efficacy reaching 108 LPW.
- L90 > 67,000 hours
- 90% recyclable materials



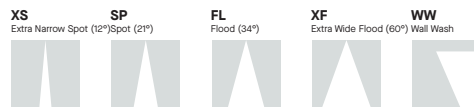
BEZEL STYLE

All bezels, except acrylics, feature anti-glare matte black finish and can accept up to 2 accessories, while wall wash has an anti-glare finish but cannot accept accessories. Bias and Wall Wash bezels rotate 360 degrees.

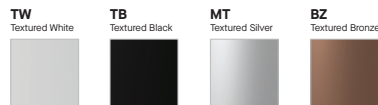


OPTICS

TIR optics are field changeable and available in beam distributions from 12° to 60° . TIR optics can be paired with various accessories including hex cell, linear spread and diffusing or clear lenses.



BODY FINISH



BEZEL FINISH

