



WALLASTON SERIES
DAMP / WET LOCATION
 SUBWAY LINE

PROJECT: _____

QUANTITY: _____ TYPE: _____



WJ1GV
 BL - Blue Streak



WJ1GV
 GB - Gloss Black



WJ1GV
 TQ - Turquoise



WJ1GV
 LG - Lime Green

SERIES	LUMENS ¹	CCT	DRIVER / DIMMING ²	ACCESSORIES ³	MOUNTING ⁴	FINISH ⁶	WET KIT
WJ1GV	15L 1500 Lm 27L 2700 Lm	80 CRI	EX DS2W1 DO10X Electronic Driver, 120V/277V ELV/MLV, 120V 1%, 0-10V, 120V/277V	FJ1 MF1 CG1 3" Frosted Tall 3" Frosted Mini 3" Cast Wire Guard	CP104 CP104KO Small Driver Canopy Small Driver Canopy w/ Knockouts	MW MB PT CC Matte White Matte Black Platinum Silver Custom Color	WLKA Wet Location Kit
		27K 2700K 30K 3000K 35K 3500K 40K 4000K					
		90 CRI					
		27HK 2700K 30HK 3000K 35HK 3500K 40HK 4000K					

EXAMPLE: WJ1GV15L35KDO10XFJ1CG1/CP104GB

NOTES:
 1 Nominal Source Lumens at 35K 2 Contact Factory for Additional Options 3 Enclosure, Wire Guard Required - Choose One Option 4 Standard Enclosure
 5 See Mounting Page for Details on Components and Finishes 6 Reference Color Sheet Located on Product Webpage for Full List of Available Colors 7 Standard
 Finishes



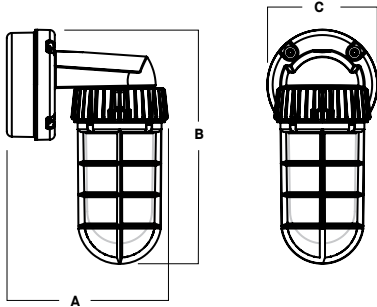


WALLASTON SERIES
DAMP / WET LOCATION
SUBWAY LINE

LUMENS / WATTAGE DATA				
PART NUMBER	SOURCE LUMENS ¹	DELIVERED LUMENS ²	SYSTEM WATTS	LPW
WJ1GV15L	1500	1027	10	103
WJ1GV27L	2700	1803	18	100

¹ Nominal Source Lumens at 35K ² Nominal Delivered Lumens at 35K

HOUSING DIMENSIONS



Dimensioned with WJ1GV Featuring FJ1 and CG1

A	B	C
8.0 202.4 mm	11.6 294.3 mm	5.5 138.5 mm

APPLICATION

The LED Wallaston Series offers rugged design.

FEATURES

Spectrum Lighting's RLM Classics are inspired by vintage lighting fixtures redesigned with modern LED light sources and materials. The wide range of options for illumination, mounting, enclosures, guards and finishes allows for creative fixture specification and design. Frosted lamp enclosure (FJ1) is standard. A variety of colored lamp enclosures are available as well as guards and light shields. LED module and driver are serviceable for future replacement.

FINISH

Multi-stage polyester powder-coat process applied on our dedicated paint lines. Variety of standard and custom finishes are available. All exposed materials are chromate pretreated to resist corrosion.

ELECTRONICS

GV LED system features high brightness white Samsung LED's. 3-step MacAdam Ellipse binning. Standard CRI: 80+. Higher CRI, R9 and custom LED configurations are available; consult factory. Choice of electronic 120V/277V and dimming drivers.

CONSTRUCTION

Fixture is constructed of die-cast heavy gauge aluminum.

CODE COMPLIANCE

BAA compliant. ETL certified to meet US and Canadian standards. Suitable for dry or damp locations. Wet Location Option. Manufactured and tested to UL standards No. 1598/8750.

ENCLOSURES

FJ1
3" FROSTED TALL



MF1
3" FROSTED MINI



CG1
3" CAST WIRE GUARD





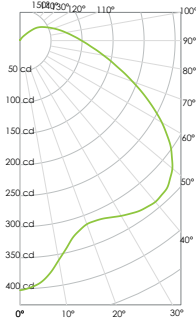
WALLASTON SERIES

DAMP / WET LOCATION

SUBWAY LINE / PHOTOMETRIC DATA

WJ1GV 27L 35K XX FJ1 MW

CANDLEPOWER CURVE
TEST SP-01055



Delivered Lumens: **1,804**
Luminaire Watts: **18**
LER: **100.22**

INTENSITY CANDELA
0° AZIMUTH

0.00°	402
20.00°	315
40.00°	339
60.00°	264
80.00°	137
90.00°	99
100.00°	75
110.00°	57
120.00°	44
140.00°	11
160.00°	1
180.00°	1

CP at 0deg (Nadir): **402**
CRI: **80**

ZONAL LUMENS

0° - 20°	131	7%
20° - 50°	615	34%
50° - 80°	662	37%
80° - 90°	127	7%
0° - 90°	1,535	85%
90° - 120°	214	12%
120° - 150°	53	3%
Total	1,804	100%

SINGLE UNIT: PERFORMANCE
INITIAL FOOTCANDLES
BASED ON IES BEAM ANGLE

Mounting Height AFF	FC at Center on Floor
6.5'	10 fc
7.5'	7 fc
8.5'	6 fc
10.0'	4 fc
12.0'	3 fc
14.0'	2 fc
16.0'	2 fc
20.0'	1 fc

MULTIPLE UNITS: PERFORMANCE
80/50/20% REFLECTANCES
INITIAL FOOTCANDLES AND WATTS PER SQUARE FOOT

Ceiling Height	Fixture Spacing	RCR 2		RCR 4	
		FC +	W/Sq. Ft.	FC +	W/Sq. Ft.
9'	6'	48	0.60	23	0.38
12'	8'	20	0.25	10	0.16
16'	10'	13	0.17	10	0.17
Delivered Illuminance Rating: (DIR)		80 FC per W/Sq. Ft.		61 FC per W/Sq. Ft.	
1' Suspension Length Square rooms used for multiple units: - RCR 2: Length & Width = Ceiling Ht. -3.5' x 5.00 - RCR 4: Length & Width = Ceiling Ht. -3.5' x 2.50 + Average Footcandles at 2.5' Above Floor					

Lumen Multiplier: 15L x 0.573
CCT Multiplier: 27K x 0.97, 30K x 0.99, 40K x 1.03

