



3" ROUND DIRECT

PICO SERIES



C0310XT - CEILING MOUNT

APPLICATION

3" round x 10" high mini cylinder luminaire for accent and general illumination.

FEATURES

Spectrum's Cylinder series provides traditional architectural style with high performance and energy efficient illumination. Rugged design with flexible mounting, finish and LED options make these extremely versatile fixtures. Quick change LED module with interchangeable optics for job site flexibility and fixture upgrade.

FINISH

Multi-stage polyester powder-coat process applied on our dedicated paint lines. See mounting and color pages for standard finishes. All exposed materials are chromate pretreated to resist corrosion.

ELECTRONICS

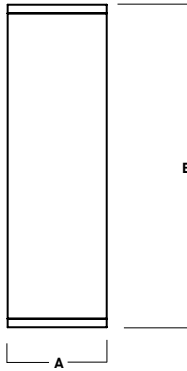
LED system features Xicato LED module with proprietary phosphor technology that provides consistent stable color with CCT control of +/- 100K over life of the light engine. Base CRI is 83 with 2-step MacAdam Ellipse binning. High CRI is 98 with 1 x 2-step MacAdam Ellipse binning. Variety of electronic 120V/277V and dimming drivers.

CONSTRUCTION

Fabricated seamless aluminum fixture housing. Specular primary optics provide high efficiency illumination. Stainless steel hardware with galvanized brackets to resist corrosion.

CODE COMPLIANCE

BAA compliant. ETL certified to meet US and Canadian standards. Suitable for dry or damp locations. Wet Location Option. Manufactured and tested to UL standards No. 1598/8750.



A	B
3.3 83.8 mm	10.6 269.2 mm

Fixture Weight: 4.2 lbs

LUMENS / WATTAGE DATA

PART NUMBER	SOURCE LUMENS ¹	DELIVERED LUMENS ²	SYSTEM WATTS ³	LPW
C0310XT7L	700	506	6.2	82
C0310XT10L	1000	675	9.1	74

SERIES	LUMENS ¹	CCT	OPTICS	DRIVER / DIMMING ⁵	OPTIONS ⁷	MOUNTING ¹¹	FINISH ¹⁷
C0310XT	7L 700 Lm	83 CRI	XN ² 12°	EX Electronic Driver, 120V/277V	WL ⁸ Wet Location CR Corrosion Resistant	RDC5 ¹² Small Driver Canopy CP13 Large Driver Canopy HM ^{13/14} Hang Straight AT ^{13/14} Hang Straight All Thread PM ^{13/14} Rigid Pendant Mount CD ^{13/15} Cord / Cable Mount SM ⁶ Surface Mount CGD ¹⁶ DMX Large Driver Canopy	MW ¹⁸ Matte White MB ¹⁸ Matte Black PT ¹⁸ Platinum Silver CC Custom Color
	10L 1000 Lm	27K 2700K 30K 3000K 35K 3500K 40K 4000K	ND 30° MD 33° WD 38°	DS10X 10%, 0-10V, 120V/277V DS2W1 ELV/MLV, 120V DMXS ⁹ DMX Standard Configuration DMXC ⁹ DMX Non-Standard Custom			
		98 CRI					
		27HK 2700K 30HK 3000K 35HK 3500K 40HK 4000K					
					LENS	EMERGENCY BATTERY OPTIONS	
					NL ⁹ No Lens GL ⁹ Clear Glass Lens SO ¹⁰ Micro Prism Solite™ Lens	EMCR ¹⁶ 10W Canopy Mounted EM EMRM 7W Remote EM EMEN 7W Remote with Enclosure	

EXAMPLE: C0310XT10L35KMDEX/SO/RDC5PM36/PT

NOTES:

1 Nominal Source Lumens At Any CCT 2 Nominal Delivered Lumens at 83 CRI at Any CCT with MD-SO 3 At 83 CRI 4 XN not available with HK 5 Contact Factory for Additional Options 6 Contact Factory 7 See Product Options Page for Details 8 Wet Location Unavailable with NL, CD or SM 9 Standard Lens for XN, ND 10 Standard Lens for MD, WD 11 See Mounting Page for Details on Components and Finishes 12 Required 13 Specify Length in Inches: See Mounting Page for Available Lengths 14 Not for Use in Locations with Wind Exposure 15 EMxxxx Option Requires 2 Cords 16 CQD/EMCR Replaces RDC5/CP13 17 Reference Color Sheet Located on Product Webpage for Full List of Available Colors/ Consult Factory for Special Finishes 18 Standard Finishes



PROJECT: _____
TYPE: _____



Dimensions and values shown are nominal. Spectrum Lighting continually works to improve pr

3" ROUND DIRECT

PICO SERIES / FIXTURE OPTIONS



STANDARD FINISHES

MW
MATTE WHITE



MB
MATTE BLACK

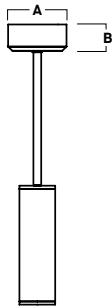


PT
PLATINUM SILVER



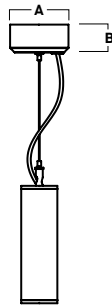
MOUNTING TYPES

HM / PM / AT
HANG STRAIGHT / PENDANT / ALL THREAD



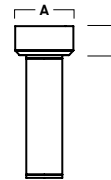
A	B
5.3	2.5
134.6 mm	63.5 mm

CD
CORD / CABLE MOUNT



A	B
5.3	2.5
134.6 mm	63.5 mm

SM
SURFACE MOUNT



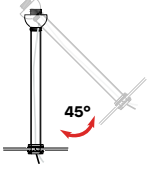
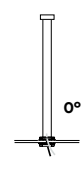
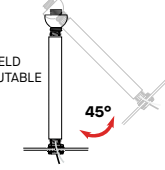
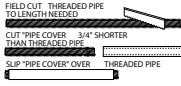
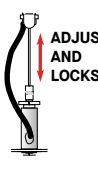
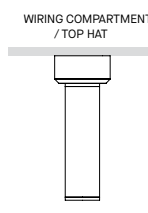
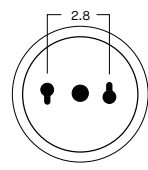
A	B
5.3	2.5
134.6 mm	63.5 mm

STANDARD MOUNTING & ACCESSORIES

SOME OPTIONS NOT AVAILABLE ON ALL FIXTURES. CONSULT SPECIFICATION SHEETS. SEE INDIVIDUAL SPECIFICATION SHEETS OR CONSULT FACTORY FOR ADDITIONAL INFORMATION.
NOTE: THIS IS TYPICAL OF CYLINDERS SPECIFICATION FOR PENDANT MOUNTING. INDIVIDUAL FIXTURES OR PROJECTS MAY HAVE SPECIALIZED REQUIREMENTS.

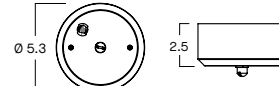
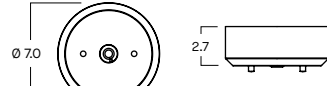


MOUNTING TYPES

<p>HM* HANG STRAIGHT 45° SWIVEL 5/8" OD STEM - 3/8" IP</p>  <p>ORDER: HM (Length) SPECIFY LENGTH: HM3 - 3" HM24 - 24" HM6 - 6" HM36 - 36" HM12 - 12" HM48 - 48" HM18 - 18" HM72 - 72" HMLC(XX) Custom Length (Specify in Inches)</p>	<p>PM* RIGID PENDANT MOUNT RIGID 5/8" OD STEM - 3/8" IP</p>  <p>ORDER: PM (Length) SPECIFY LENGTH: PM3 - 3" PM24 - 24" PM6 - 6" PM36 - 36" PM12 - 12" PM48 - 48" PM18 - 18" PM72 - 72" PMLC(XX) Custom Length (Specify in Inches)</p>	<p>AT** HANG STRAIGHT ALL THREAD 45° SWIVEL 5/8" OD STEM - 1/4" IP</p>  <p>ORDER: AT (Length) SPECIFY LENGTH: AT12 - 12" AT24 - 24" AT36 - 36"</p> 	<p>CD CORD / CABLE MOUNT SJ CORD WITH 1/16 SS CABLE</p>  <p>ORDER: CD (Length) SPECIFY LENGTH: CD36 - 36" CD72 - 72" CD144 - 144" CDLC(XX) Custom Length (Specify in Inches)</p>	<p>SM SURFACE MOUNT WIRING COMPARTMENT / TOP HAT</p>  <p>ORDER: SM TOP VIEW CANOPY 2.8</p>  <p>KEY SLOTS MOUNT CANOPY TO WALL JUNCTION BOX: JUNCTION BOX IS COVERED.</p>
--	---	--	---	--

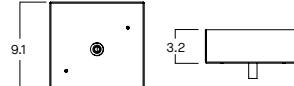
*MAXIMUM ONE PIECE STEM LENGTH IS 72". **MAXIMUM ONE PIECE STEM LENGTH IS 36". LONGER LENGTHS ARE POSSIBLE USING MULTIPLE STEMS AND COUPLERS.

DRIVER CANOPY OPTIONS

<p>RDC5 - SMALL DRIVER CANOPY (STANDARD)</p> 	<p>CP13 - LARGE DRIVER CANOPY</p> 
---	--

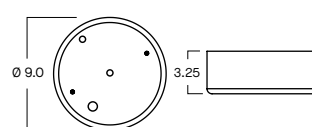
DMX OPTION

CGD - LARGE DRIVER CANOPY FOR DMX OPTIONS

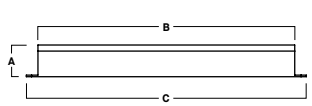
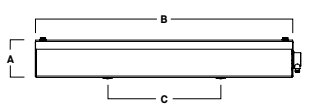


EMERGENCY BATTERY OPTIONS

EMCR - LARGE DRIVER CANOPY FOR 10W EMERGENCY BATTERY



REMOTE EMERGENCY BATTERY OPTIONS

<p>EMRM* - 7W REMOTE EMERGENCY BATTERY (50" MAX)</p>  <table border="1"> <thead> <tr> <th>A</th> <th>B</th> <th>C</th> </tr> </thead> <tbody> <tr> <td>1.3</td> <td>12.6</td> <td>13.0</td> </tr> </tbody> </table>	A	B	C	1.3	12.6	13.0	<p>EMEN* - 7W REMOTE EMERGENCY BATTERY WITH ENCLOSURE (50" MAX)</p>  <table border="1"> <thead> <tr> <th>A</th> <th>B</th> <th>C</th> </tr> </thead> <tbody> <tr> <td>2.0</td> <td>17.0</td> <td>6.2</td> </tr> </tbody> </table>	A	B	C	2.0	17.0	6.2
A	B	C											
1.3	12.6	13.0											
A	B	C											
2.0	17.0	6.2											

*OTHER EM BATTERY SIZES AVAILABLE. CONSULT FACTORY

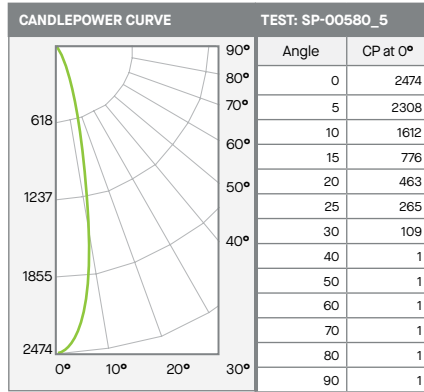


3" ROUND DIRECT

PICO SERIES / PHOTOMETRIC DATA



CO310XT-10LxxK-NDEX-GLxxMW



Distance	Lumens	%
0-10	196	33%
0-20	440	74%
0-30	568	95%
0-40	590	99%
0-60	592	99%
0-80	594	100%
0-90	595	100%
Total Lumens	595	100%

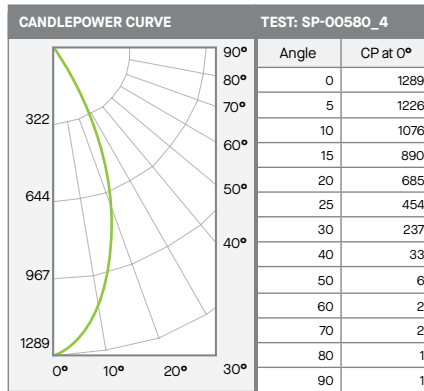
10L NARROW - 83 CRI

Mounting Height*	FC at Center	Diameter of Beam**	FC at Beam**
5.5'	82	2.4'	39
6.5'	59	2.8'	28
7.5'	44	3.3'	21
8.5'	34	3.7'	16
10.0'	25	4.3'	12
12.0'	17	5.2'	8
14.0'	13	6.1'	6
16.0'	10	6.9'	5

* From aperture to horizontal surface below.
** At IESNA defined Beam Angle, to 50% Max. CP.

Delivered Lumens: 595 CP @ 0° (Nadir): 2474 Spacing Ratio: 0.42
 Luminaire Watts: 9.1 Beam Angle: 24.5° Output Multipliers: 7L x 0.75
 LER: 65 CRI: 83

CO310XT-10LxxK-MDEX-SOxxMW



Distance	Lumens	%
0-10	113	17%
0-20	364	54%
0-30	580	86%
0-40	654	97%
0-60	669	99%
0-80	673	100%
0-90	675	100%
Total Lumens	675	100%

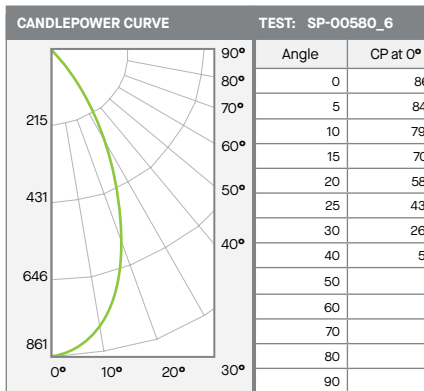
10L MEDIUM - 83 CRI

Mounting Height*	FC at Center	Diameter of Beam**	FC at Beam**
5.5'	43	4.2'	19
6.5'	31	5.0'	13
7.5'	23	5.7'	10
8.5'	18	6.5'	8
10.0'	13	7.6'	6
12.0'	9	9.1'	4
14.0'	7	10.7'	3
16.0'	5	12.2'	2

* From aperture to horizontal surface below.
** At IESNA defined Beam Angle, to 50% Max. CP.

Delivered Lumens: 675 CP @ 0° (Nadir): 1289 Spacing Ratio: 0.68
 Luminaire Watts: 9.1 Beam Angle: 41.7° Output Multipliers: 7L x 0.75
 LER: 74 CRI: 83

CO310XT-10LxxK-WDEX-SOxxMW



Distance	Lumens	%
0-10	79	13%
0-20	276	46%
0-30	478	80%
0-40	571	96%
0-60	593	99%
0-80	596	100%
0-90	597	100%
Total Lumens	597	100%

10L WIDE - 83 CRI

Mounting Height*	FC at Center	Diameter of Beam**	FC at Beam**
5.5'	28	5.1'	12
6.5'	20	6.1'	8
7.5'	15	7.0'	6
8.5'	12	7.9'	5
10.0'	9	9.3'	4
12.0'	6	11.2'	2
14.0'	4	13.1'	2
16.0'	3	14.9'	1

* From aperture to horizontal surface below.
** At IESNA defined Beam Angle, to 50% Max. CP.

Delivered Lumens: 597 CP @ 0° (Nadir): 861 Spacing Ratio: 0.8
 Luminaire Watts: 9.1 Beam Angle: 50.0° Output Multipliers: 7L x 0.75
 LER: 66 CRI: 83

