



6" ROUND DIRECT PRO-FORM SERIES



C0612XT - CEILING MOUNT

APPLICATION

6" round x 12" high cylinder luminaire designed for high output focused illumination.

FEATURES

Spectrum's Cylinder series provides traditional architectural style with high performance and energy efficient illumination. Rugged design with flexible mounting, finish and LED options make these extremely versatile fixtures. Two stage optical system design delivers high quality general illumination.

FINISH

Multi-stage polyester powder-coat process applied on our dedicated paint lines. See mounting and color pages for standard finishes. All exposed materials are chromate pre-treated to resist corrosion.

ELECTRONICS

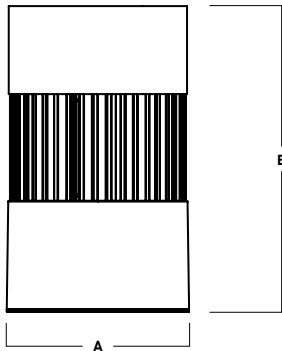
LED system features Xicato LED module with proprietary phosphor technology that provides consistent stable color with CCT control of +/- 100K over life of the light engine. Base CRI is 83 with 2-step MacAdam Ellipse binning. High CRI is 98 with 1 x 2-step MacAdam Ellipse binning. Variety of electronic 120V/277V and dimming drivers.

CONSTRUCTION

Fabricated seamless aluminum fixture housing, specular primary reflector provides high efficiency illumination. Stainless steel hardware with galvanized brackets to resist corrosion. Die-cast aluminum trim finished to specification.

CODE COMPLIANCE

BAA compliant. ETL certified to meet US and Canadian standards. Suitable for dry or damp locations. Manufactured and tested to UL standards No. 1598/8750.



A	B
6.2	12.1
157.5 mm	307.3 mm

Fixture Weight: 12.8 lbs

LUMENS / WATTAGE DATA				
PART NUMBER	SOURCE LUMENS	DELIVERED LUMENS ²	SYSTEM WATTS ³	LPW
C0612XT10L	1000	789	9.1	87
C0612XT13L	1300	1063	13.0	82
C0612XT20L	2000	1635	21.7	75
C0612XT30L	3000	2452	32.6	75
C0612XT40L	4000	3147	37.9	83
C0612XT50L	5000	4087	52.0	79

SERIES	LUMENS ¹	CCT	OPTICS	DRIVER / DIMMING ⁵	OPTIONS ⁶	MOUNTING ⁹	FINISH ¹²	
C0612XT	10L	1000 Lm	83 CRI	XN ⁴ 12°	EX Electronic Driver, 120V/277V DS10X 10%, 0-10V, 120V/277V DO10X 1%, 10-0V, 120V/277V DS2W1 ELV / MLV,120V	FS Fuse Holder and Fuse CR Corrosion Resistant BB Black Baffle	HM ¹⁰ Hang Straight PM ¹⁰ Rigid Pendant Mount AT ¹⁰ Hang Straight All Thread CD ^{10/11} Cord / Cable Mount SM Surface Mount YK Yoke Mount	MW ¹³ Matte White MB ¹³ Matte Black PT ¹³ Platinum Silver CC Custom Color
	13L	1300 Lm	27K 2700K					
	20L	2000 Lm	30K 3000K	MD 22°				
	30L	3000 Lm	35K 3500K	WD 39°				
	40L	4000 Lm	40K 4000K	XW 62°				
	50L	5000 Lm						
			98 CRI ⁴					
			27HK 2700K					
			30HK 3000K					
			35HK 3500K					
		40HK 4000K						
					LENS		EMERGENCY BATTERY OPTIONS	
					NL No Lens	EMCR 10W Canopy Mounted EM		
					GL ⁷ Clear Glass Lens	EMRM 7W Remote EM		
					SO ⁸ Micro Prism Solite™ Lens	EMEN 7W Remote with Enclosure		

EXAMPLE: C0612XT50L35KNDEX/GL/PM36/MW

NOTES:
 1 Nominal Source Lumens At Any CCT 2 Nominal Delivered Lumens at 83 CRI at Any CCT with WD-BB-NL-MW 3 At 83 CRI 4 13L Max/XN not Available with 98 CRI Option 5 Contact Factory for Additional Options 6 See Product Options Page for Details 7 Standard Lens for XN, ND 8 Standard Lens for MD, WD, XW 9 See Mounting Page for Details on Components and Finishes 10 Specify Length in Inches: See Mounting Page for Available Lengths 11 EMxxxx Option Requires 2 Cords 12 Reference Color Sheet Located on Product Webpage for Full List of Available Colors 13 Standard Finishes



PROJECT: _____
 TYPE: _____



Dimensions and values shown are nominal. Spectrum Lighting continually works to improve products and reserves the right to make changes which may alter the performance or appearance of products.

6" ROUND DIRECT

PRO-FORM SERIES / FIXTURE OPTIONS



STANDARD FINISHES

MW
MATTE WHITE



MB
MATTE BLACK

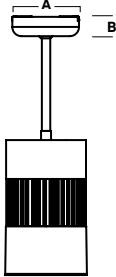


PT
PLATINUM SILVER



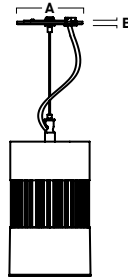
MOUNTING TYPES

HM / PM / AT
HANG STRAIGHT / PENDANT / ALL THREAD



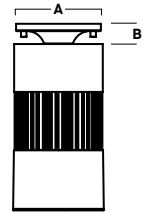
A	B
5.0	1.5
127.0 mm	38.1 mm

CD
CORD / CABLE MOUNT



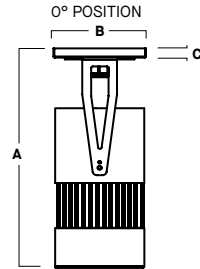
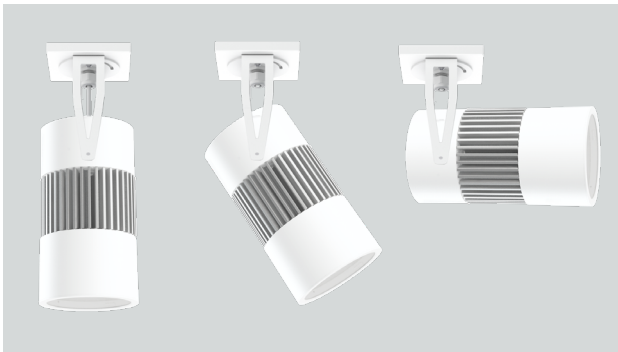
A	B
5.0	.25
127.0 mm	6.4 mm

SM
SURFACE MOUNT

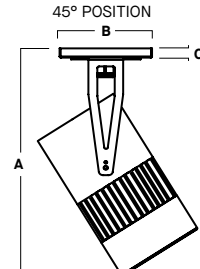


A	B
5.8	1.4
147.3 mm	35.6 mm

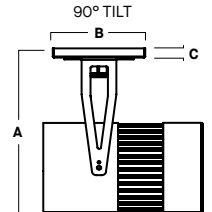
YK
YOKE MOUNT



A	B	C
14.8	5.3	.63
375.9 mm	134.6 mm	16.0 mm



A	B	C
14.7	5.3	.63
373.4 mm	134.6 mm	16.0 mm



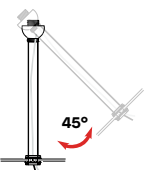
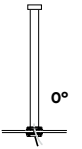
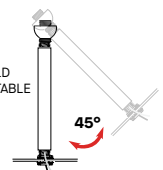
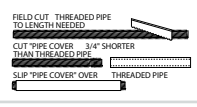

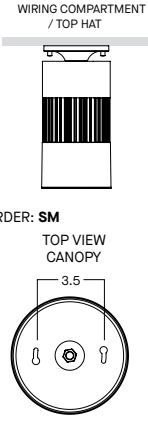
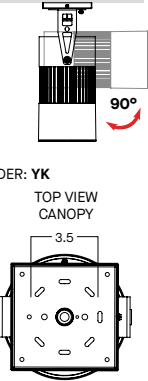
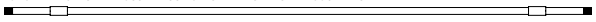
A	B	C
10.1	5.3	.63
256.5 mm	134.6 mm	16.0 mm

STANDARD MOUNTING & ACCESSORIES

SOME OPTIONS NOT AVAILABLE ON ALL FIXTURES, CONSULT SPECIFICATION SHEETS. SEE INDIVIDUAL SPECIFICATION SHEETS OR CONSULT FACTORY FOR ADDITIONAL INFORMATION. NOTE: THIS IS TYPICAL OF CYLINDERS SPECIFICATION FOR PENDANT MOUNTING. INDIVIDUAL FIXTURES OR PROJECTS MAY HAVE SPECIALIZED REQUIREMENTS.

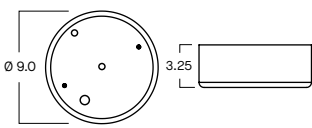


MOUNTING TYPES

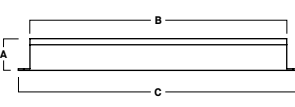

<p>HM* HANG STRAIGHT 45° SWIVEL 5/8" OD STEM - 3/8" IP</p>  <p>ORDER: HM (Length) SPECIFY LENGTH: HM3 - 3" HM24 - 24" HM6 - 6" HM36 - 36" HM12 - 12" HM48 - 48" HM18 - 18" HM72 - 72" HMLC(XX) Custom Length (Specify in Inches)</p>	<p>PM* RIGID PENDANT MOUNT RIGID 5/8" OD STEM - 3/8" IP</p>  <p>ORDER: PM (Length) SPECIFY LENGTH: PM3 - 3" PM24 - 24" PM6 - 6" PM36 - 36" PM12 - 12" PM48 - 48" PM18 - 18" PM72 - 72" PMLC(XX) Custom Length (Specify in Inches)</p>	<p>AT** HANG STRAIGHT ALL THREAD 45° SWIVEL 5/8" OD STEM - 1/4" IP</p> <p>FIELD CUTABLE</p>  <p>ORDER: AT (Length) SPECIFY LENGTH: AT12 - 12" AT24 - 24" AT36 - 36"</p> 	<p>CD CORD / CABLE MOUNT SJ CORD WITH 1/16 SS CABLE</p>  <p>ORDER: CD (Length) SPECIFY LENGTH: CD36 - 36" CD72 - 72" CD144 - 144" CDLC(XX) Custom Length (Specify in Inches)</p>	<p>SM SURFACE MOUNT WIRING COMPARTMENT / TOP HAT</p>  <p>ORDER: SM TOP VIEW CANOPY 3.5</p> <p>KEY SLOTS MOUNT CANOPY TO WALL JUNCTION BOX. JUNCTION BOX IS COVERED.</p>	<p>YK YOKE MOUNT</p>  <p>ORDER: YK TOP VIEW CANOPY 3.5</p> <p>KEY SLOTS MOUNT CANOPY TO WALL JUNCTION BOX. JUNCTION BOX IS COVERED.</p>
<p>*MAXIMUM ONE PIECE STEM LENGTH IS 72". **MAXIMUM ONE PIECE STEM LENGTH IS 36". LONGER LENGTHS ARE POSSIBLE USING MULTIPLE STEMS AND COUPLERS.</p> 					

EMERGENCY BATTERY OPTIONS

EMCR - LARGE DRIVER CANOPY FOR 10W EMERGENCY BATTERY



REMOTE EMERGENCY BATTERY OPTIONS

<p>EMRM* - 7W REMOTE EMERGENCY BATTERY (50' MAX)</p>  <table border="1" data-bbox="576 1207 771 1249"> <thead> <tr> <th>A</th> <th>B</th> <th>C</th> </tr> </thead> <tbody> <tr> <td>1.3</td> <td>12.6</td> <td>13.0</td> </tr> </tbody> </table>	A	B	C	1.3	12.6	13.0	<p>EMEN* - 7W REMOTE EMERGENCY BATTERY WITH ENCLOSURE (50' MAX)</p>  <table border="1" data-bbox="933 1207 1128 1249"> <thead> <tr> <th>A</th> <th>B</th> <th>C</th> </tr> </thead> <tbody> <tr> <td>2.0</td> <td>17.0</td> <td>6.2</td> </tr> </tbody> </table>	A	B	C	2.0	17.0	6.2
A	B	C											
1.3	12.6	13.0											
A	B	C											
2.0	17.0	6.2											

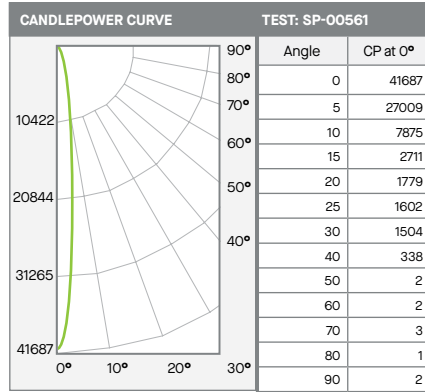
*OTHER EM BATTERY SIZES AVAILABLE, CONSULT FACTORY

6" ROUND DIRECT

PRO-FORM SERIES / PHOTOMETRIC DATA



C0612XT-50L-xxK-ND-EX-BB-NL-MW



ZONAL LUMENS		
0-10	2076	46%
0-20	3072	69%
0-30	3805	85%
0-40	4420	99%
0-60	4470	100%
0-80	4473	100%
0-90	4474	100%
Total Lumens	4475	100%

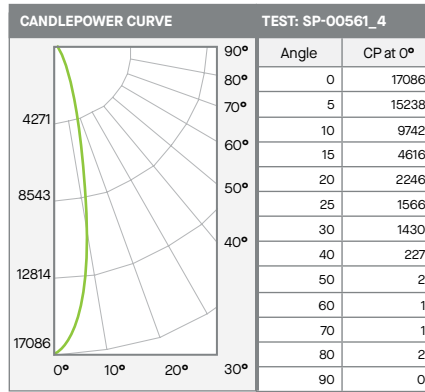
50L NARROW - 83 CRI

SINGLE UNIT: PERFORMANCE			
INITIAL FOOTCANDLES AND BEAM ANGLE DIAMETERS			
Mounting Height*	FC at Center	Diameter of Beam**	FC at Beam**
5.5'	1378	1.2'	681
6.5'	987	1.4'	487
7.5'	741	1.7'	366
8.5'	577	1.9'	285
10.0'	417	2.2'	206
12.0'	289	2.6'	143
14.0'	213	3.1'	105
16.0'	163	3.5'	80

* From aperture to horizontal surface below.
** At IESNA defined Beam Angle, to 50% Max. CP.

Delivered Lumens: 4475 CP @ 0° (Nadir): 41687 Spacing Ratio: 0.24
 Luminaire Watts: 52 Beam Angle: 12.6° Output Multipliers: 10L x 0.19, 13L x 0.26, 20L x 0.4, 30L x 0.6, 40L x 0.77
 LER: 86 CRI: 83

C0612XT-50L-xxK-MD-EX-BB-NL-MW



ZONAL LUMENS		
0-10	1278	31%
0-20	2680	66%
0-30	3449	85%
0-40	4023	99%
0-60	4054	100%
0-80	4057	100%
0-90	4058	100%
Total Lumens	4058	100%

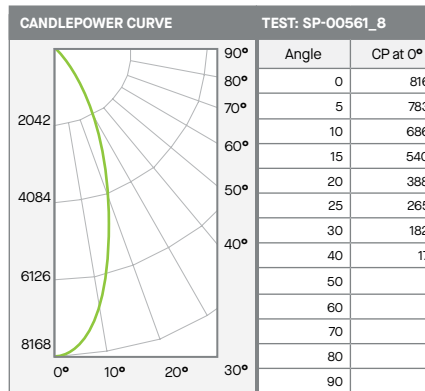
50L MEDIUM - 83 CRI

SINGLE UNIT: PERFORMANCE			
INITIAL FOOTCANDLES AND BEAM ANGLE DIAMETERS			
Mounting Height*	FC at Center	Diameter of Beam**	FC at Beam**
5.5'	565	2.2'	272
6.5'	404	2.6'	195
7.5'	304	3.0'	146
8.5'	236	3.4'	114
10.0'	171	3.9'	82
12.0'	119	4.7'	57
14.0'	87	5.5'	42
16.0'	67	6.3'	32

* From aperture to horizontal surface below.
** At IESNA defined Beam Angle, to 50% Max. CP.

Delivered Lumens: 4058 CP @ 0° (Nadir): 17086 Spacing Ratio: 0.38
 Luminaire Watts: 52 Beam Angle: 22.3° Output Multipliers: 10L x 0.19, 13L x 0.26, 20L x 0.4, 30L x 0.6, 40L x 0.77
 LER: 78 CRI: 83

C0612XT-50L-xxK-WD-EX-BB-NL-MW



ZONAL LUMENS		
0-10	720	18%
0-20	2215	54%
0-30	3456	85%
0-40	4058	99%
0-60	4083	100%
0-80	4086	100%
0-90	4087	100%
Total Lumens	4087	100%

50L WIDE - 83 CRI

SINGLE UNIT: PERFORMANCE			
INITIAL FOOTCANDLES AND BEAM ANGLE DIAMETERS			
Mounting Height*	FC at Center	Diameter of Beam**	FC at Beam**
5.5'	270	3.9'	120
6.5'	193	4.6'	86
7.5'	145	5.3'	65
8.5'	113	6.0'	50
10.0'	82	7.0'	36
12.0'	57	8.4'	25
14.0'	42	9.8'	19
16.0'	32	11.2'	14

* From aperture to horizontal surface below.
** At IESNA defined Beam Angle, to 50% Max. CP.

Delivered Lumens: 4087 CP @ 0° (Nadir): 8168 Spacing Ratio: 0.64
 Luminaire Watts: 52 Beam Angle: 38.7° Output Multipliers: 10L x 0.19, 13L x 0.26, 20L x 0.4, 30L x 0.6, 40L x 0.77
 LER: 79 CRI: 80

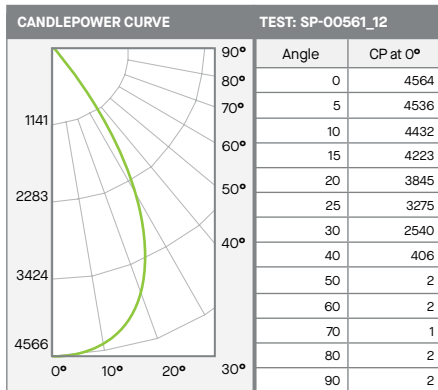
6" ROUND DIRECT

PRO-FORM SERIES / PHOTOMETRIC DATA



C0612XT-50L-xxK-XW-EX-BB-NL-MW

50L XTRA WIDE - 83 CRI



ZONAL LUMENS		
0-10	432	11%
0-20	1616	40%
0-30	3100	76%
0-40	3996	98%
0-60	4076	100%
0-80	4079	100%
0-90	4080	100%
Total Lumens	4080	100%

SINGLE UNIT: PERFORMANCE			
INITIAL FOOTCANDLES AND BEAM ANGLE DIAMETERS			
Mounting Height*	FC at Center	Diameter of Beam**	FC at Beam**
5.5'	151	6.6'	55
6.5'	108	7.8'	40
7.5'	81	9.0'	30
8.5'	63	10.2'	23
10.0'	46	12.0'	17
12.0'	32	14.4'	12
14.0'	23	16.8'	9
16.0'	18	19.2'	7

* From aperture to horizontal surface below.
 ** At IESNA defined Beam Angle, to 50% Max. CP.

Delivered Lumens: 4080
 Luminaire Watts: 52
 LER: 78

CP @ 0° (Nadir): 4564
 Beam Angle: 61.9°
 CRI: 80

Spacing Ratio: 0.98
 Output Multipliers: 10L x 0.19, 13L x 0.26, 20L x 0.4, 30L x 0.6, 40L x 0.77