



# RLM CLASSICS



# RLM CLASSICS

Spectrum Lighting's RLM Classics Series are inspired by vintage electric lighting fixture designs, recrafted using modern materials and incorporating the latest in LED technology. These fixtures are spun by hand in our Massachusetts factory from high grade aluminum and finished in a durable powder coat paint.

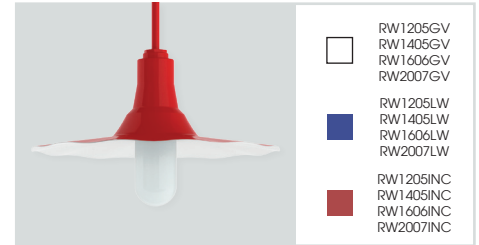
## CLASSIC SHAPES AND SIZES



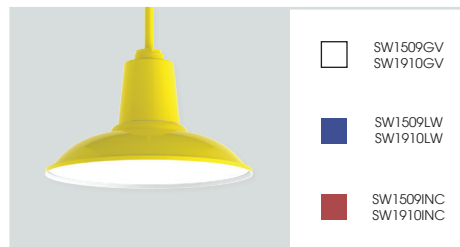
### DEEP BOWL



### RADIAL WAVE



### SHORT WAREHOUSE SHADE



### WAREHOUSE SHADE



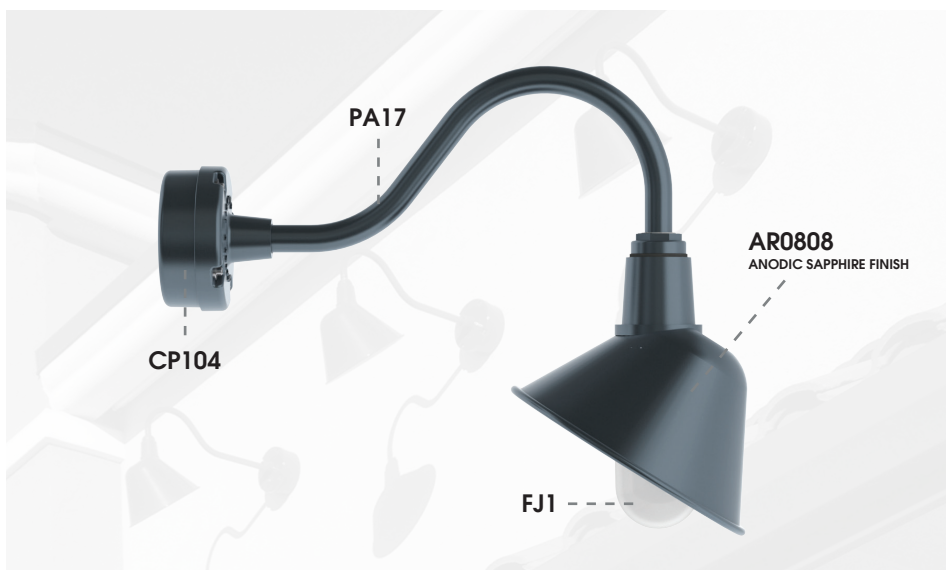
### STAGECOACH SHADE



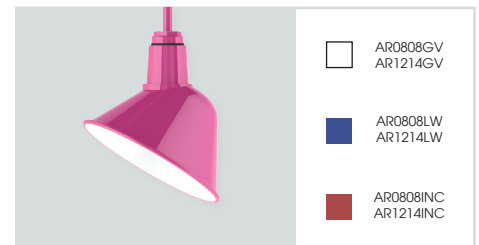
### OPEN REFLECTOR



## SIGN LIGHTING



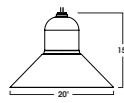
### ANGLED REFLECTOR



### EMBLEM SIGN



- GV = LED INTERIOR - DAMP LOCATION
- LW = LED EXTERIOR - WET LOCATION
- INC = E21 INCANDESCENT / LED LAMP - INTERIOR / EXTERIOR



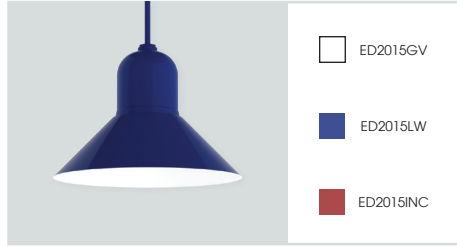
**FIXTURE PART NUMBER EXPLANATION**

EXAMPLE: **ED2015GV**  
 FIRST 2 LETTERS REPRESENT SERIES NAME: **ED = EXPANDED DOME**  
 SUBSEQUENT NUMBERS REPRESENT NOMINAL SIZES: **2015 = 20" X 15"**  
 LAST 2 LETTERS REPRESENT APPLICATION: **GV = LED INTERIOR / DAMP LOCATION**

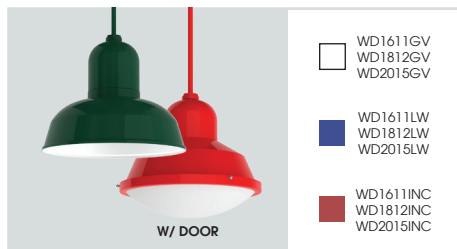
## CLASSIC DOME TOPS



### EXPANDED DOME

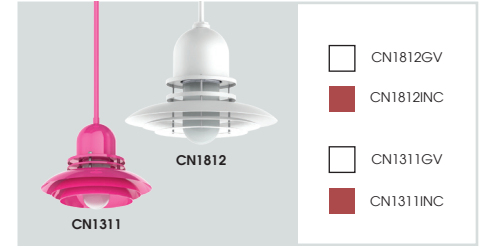


### WAREHOUSE DOME

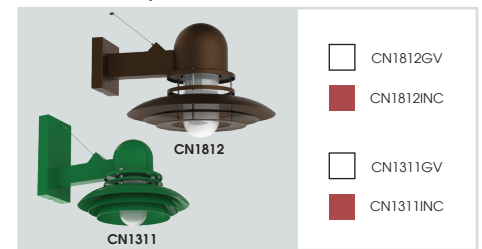


## CONCORDIA SERIES

### CONCORDIA / MINI CONCORDIA PENDANTS

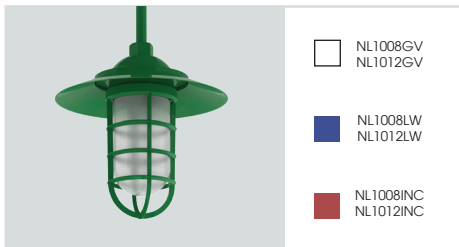


### CONCORDIA / MINI CONCORDIA WALL MOUNTS

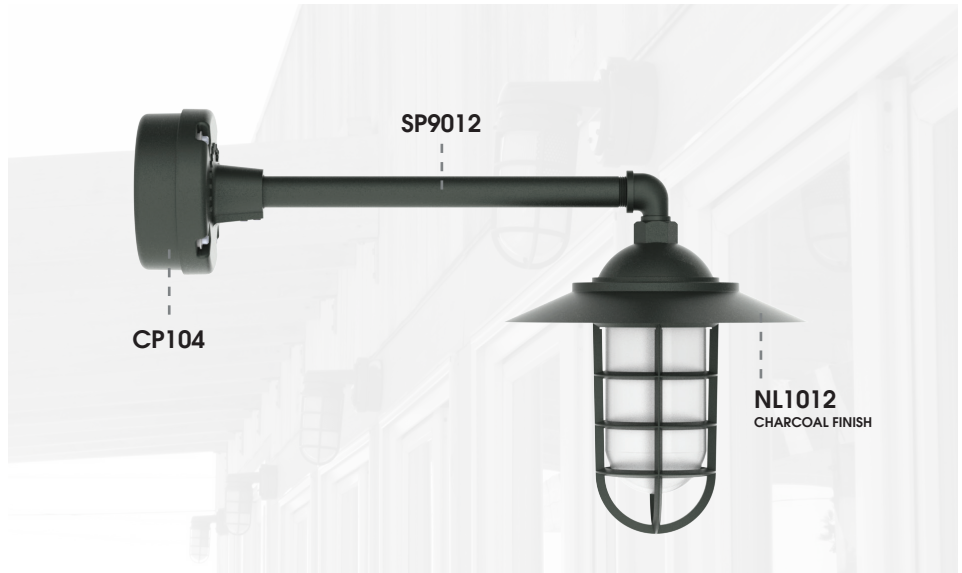


## NAUTICAL AND SUBWAY SERIES

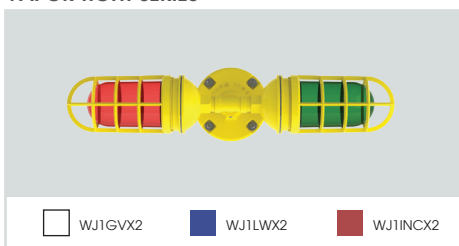
### NAUTICAL LIGHT



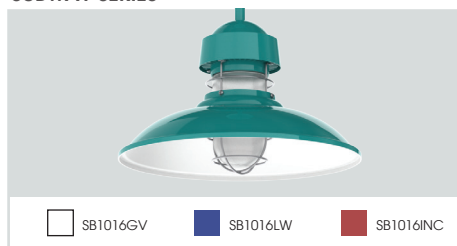
### BULKHEAD SERIES



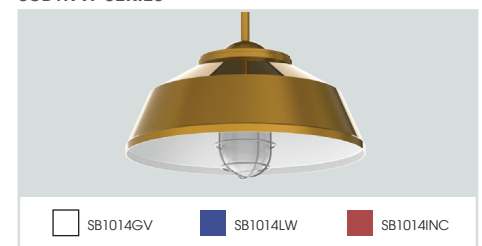
### VAPOR TIGHT SERIES



### SUBWAY SERIES



### SUBWAY SERIES



1. CHOOSE FIXTURE 

2. CHOOSE APPLICATION  
(OUTPUT, KELVIN & CONTROLS)

3. CHOOSE ACCESSORIES  
(JARS, WIRE GUARDS, DOORS)

4. CHOOSE MOUNTING AND FINISH COLOR

DB1615

GV55L30KDS10X

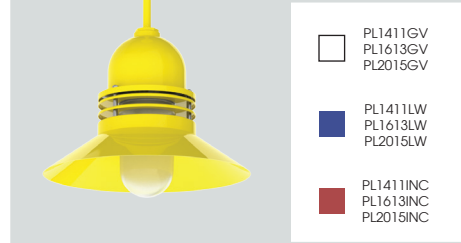
WG16

RDC5HM36OB

## PIER LIGHTS



### PIER LIGHT SERIES



### PIER LIGHT STRAIGHT

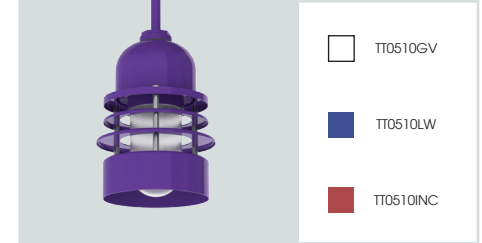


### PIER LIGHT SHORT

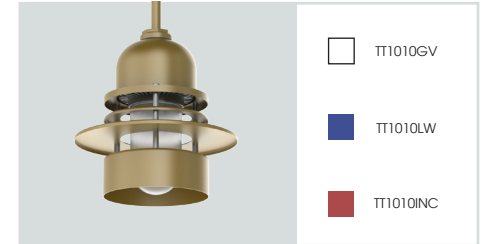


## TECH TIER SERIES

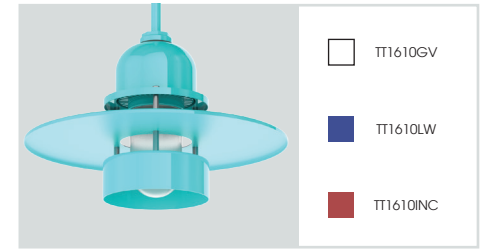
### TECH TIER 0510



### TECH TIER 1010



### TECH TIER 1610

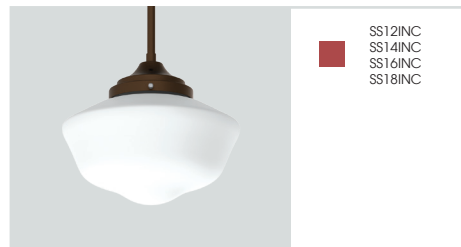


## SCHOOLHOUSE & GLASS SHADES

### LED SCHOOLHOUSE SHADE



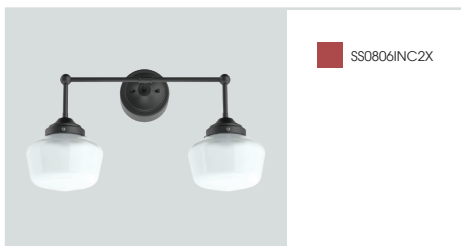
### SCHOOLHOUSE SHADE



### SMALL SCHOOLHOUSE SHADE



### SMALL SCHOOLHOUSE DOUBLE SHADE



### MILK SHADE



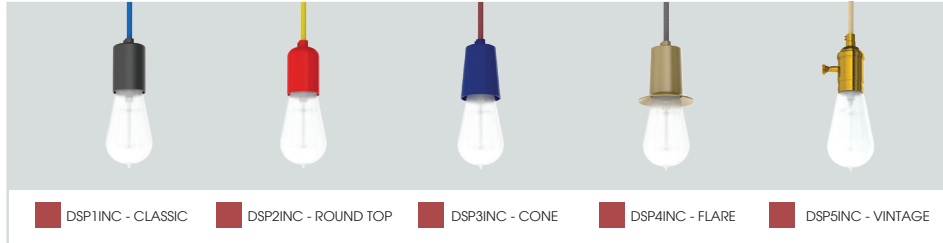
### BANKERS SHADE



Fittings, wall mounts, stems and canopies are robust and heavy gauge metal for durability. To accessorize there are a variety of specially designed glass enclosures, wire guards and lensed doors. A wide array of powder coat and specialty applications are offered. Be creative and have fun specifying and using the Spectrum RLM Classics Series as they add a rich touch to any project.

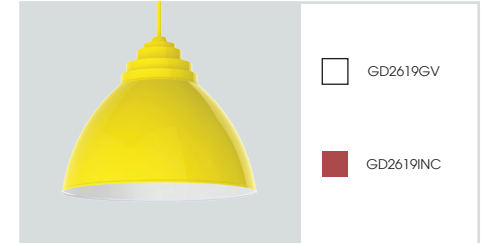
## DSP SERIES

### DECORATIVE SOCKET

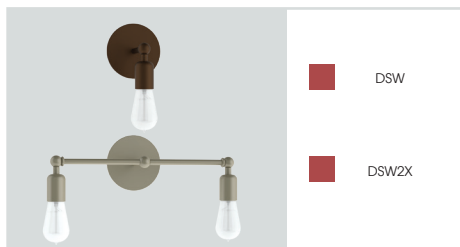


## SPECIALTY PENDANTS

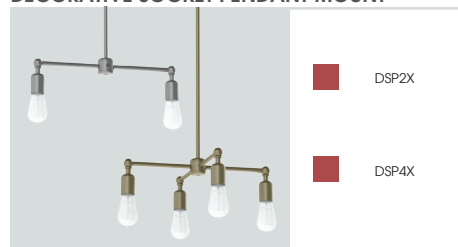
### GIANT DOME



### DECORATIVE SOCKET WALL MOUNT



### DECORATIVE SOCKET PENDANT MOUNT



### SHIP LIGHT



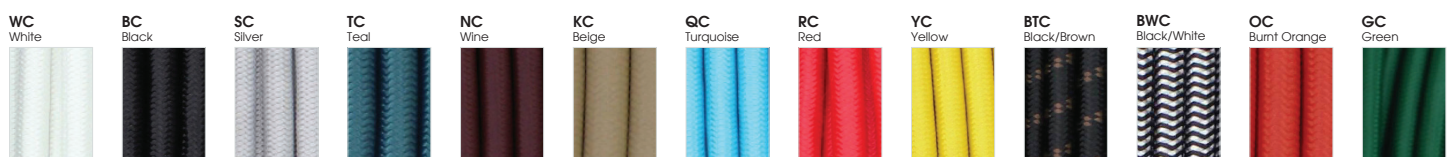
## POWDER COAT & METAL FINISHES

SOME OPTIONS NOT AVAILABLE ON ALL FIXTURES, CONSULT SPECIFICATION SHEETS. SEE INDIVIDUAL SPECIFICATION SHEETS OR CONSULT FACTORY FOR ADDITIONAL INFORMATION. NOTE: NO PRINTED IMAGE CAN EQUAL THE EXACT COLOR OF FINISH ON METAL.



## COLOR CORDS

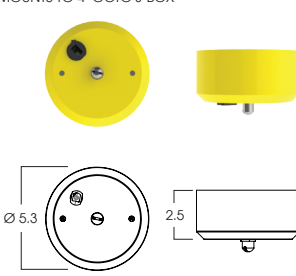
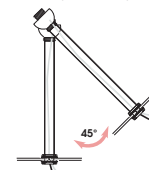
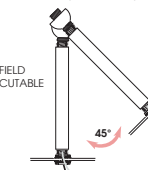

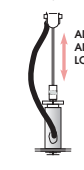


AVAILABLE WITH INCANDESCENT OR NON-DIMMING LED FIXTURES.



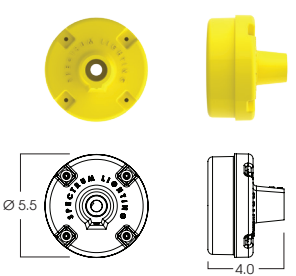
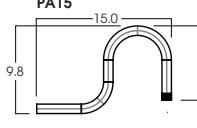
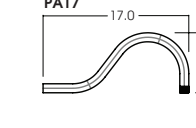
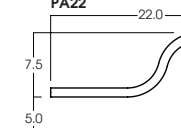
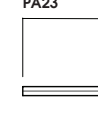
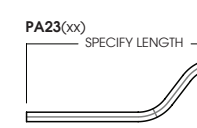

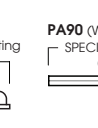
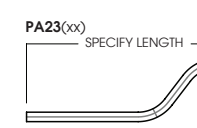


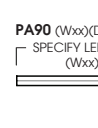
# RLM OPTIONS

SOME OPTIONS NOT AVAILABLE ON ALL FIXTURES. CONSULT SPECIFICATION SHEETS. SEE INDIVIDUAL SPECIFICATION SHEETS OR CONSULT FACTORY FOR ADDITIONAL INFORMATION. NOTE: THIS IS TYPICAL OF RLM SPECIFICATION FOR MOUNTING. INDIVIDUAL FIXTURES OR PROJECTS MAY HAVE SPECIALIZED REQUIREMENTS.

## CEILING MOUNTING

<p><b>RDC5</b> SMALL DRIVER CANOPY (STANDARD) MOUNTS TO 4" OCTO J-BOX</p>  <p>Ø 5.3 2.5</p>	<p><b>HM*</b> HANG STRAIGHT 45° SWIVEL 1/2" STEM - 3/8" NPT</p>  <p>ORDER: <b>HM</b> (Length) SPECIFY LENGTH: <b>HM3</b> - 3"    <b>HM24</b> - 24" <b>HM6</b> - 6"    <b>HM36</b> - 36" <b>HM12</b> - 12"    <b>HM48</b> - 48" <b>HM18</b> - 18"    <b>HM72</b> - 72" <b>HMLC(XX)</b> Custom Length (Specify in Inches)</p>	<p><b>HMAT*</b> HANG STRAIGHT ALL THREAD 45° SWIVEL 1/2" STEM - 1/4" IP</p>  <p>FIELD CUTTABLE</p> <p>ORDER: <b>HM</b> (Length) SPECIFY LENGTH: <b>HMAT12</b> - 12"    <b>HMAT48</b> - 48" <b>HMAT24</b> - 24"    <b>HMAT72</b> - 72" <b>HMAT36</b> - 36"    <b>HMATLC(XX)</b> <b>HMATLC(XX)</b> Custom Length (Specify in Inches)</p> <p><small>FIELD CUTTABLE INSTEAD OF PIPE TO LENGTH NEEDED. SLIP PIPE COVER IS SHORTER. SLIP PIPE COVER IS SHORTER. SLIP PIPE COVER OVER INSTEAD OF PIPE.</small></p> 	<p><b>CD</b> CORD / CABLE MOUNT SJ CORD WITH 1/16 SS CABLE</p>  <p>ADJUST AND LOCKS</p> <p>ORDER: <b>CD</b> (Length) SPECIFY LENGTH: <b>CD36</b> - 36" <b>CD72</b> - 72" <b>CD144</b> - 144" <b>CDLC(XX)</b> Custom Length (Specify in Inches)</p>	<p><b>CM</b> CORD MOUNT SJ CORD WITH STRAIN RELIEF</p>  <p>ORDER: <b>CM</b> (Length) SPECIFY LENGTH: <b>CM36</b> - 36" <b>CM72</b> - 72" <b>CM144</b> - 144" <b>CMLC(XX)</b> Custom Length (Specify in Inches)</p>	<p><b>CHN</b> CHAIN MOUNT SJ CORD / DECORATIVE CHAIN</p>  <p>ORDER: <b>CHN</b> (Length) SPECIFY LENGTH: <b>CHN36</b> - 36" <b>CHN72</b> - 72" <b>CHN144</b> - 144" <b>CHNLC(XX)</b> Custom Length (Specify in Inches)</p>
--	--	--	--	---	--

## WALL MOUNTING

<p><b>CP104</b> SMALL DRIVER CANOPY (STANDARD) MAY BE USED AS SPLICE BOX FOR DIRECT FEED</p>  <p>Ø 5.5 4.0</p> <p>OTHER CANOPY OPTIONS AVAILABLE, SEE SPEC SHEETS FOR MORE DETAILS AND DIMENSIONS:</p> <p><b>CP106</b> LARGE DRIVER CANOPY MAY BE USED AS SPLICE BOX FOR DIRECT FEED</p> <p><b>CP6/RMD</b> REMOTE MOUNT DRIVER MOUNTS DIRECTLY TO WALL OR OCTAGON STYLE J-BOX</p>	<p>CUSTOM AND OTHER WALL ARMS AVAILABLE - SEE WEBSITE OR CONTACT FACTORY FOR COMPLETE OFFERING. ARMS MAY BE FIELD CUT ON WALL SIDE - FIXTURE SIDE THREADED 3/4" NPT REQUIRES SEALANT FOR WET LOCATION.</p>			
	<p><b>PA15</b></p>  <p>15.0 9.8 8.3</p>	<p><b>PA17</b></p>  <p>17.0 7.0</p>	<p><b>PA22</b></p>  <p>22.0 7.5 5.0 12.5</p>	<p><b>PA23</b></p>  <p>23.0 7.0</p>
	<p><b>PA24</b></p>  <p>15.0 18.0 9.5 24.0 3/4" IPS</p>	<p><b>PA26</b></p>  <p>28.5 12.7</p>	<p><b>PA27</b> - Designed for Signlight</p>  <p>27.5 14.55</p>	<p><b>PA23(XX)</b></p>  <p>SPECIFY LENGTH 7.0 EXAMPLE: PA2330 - 30" PA23</p>
	<p><b>SP(XX) 6", 12" &amp; 24"</b> Designed for Straight Arm Mounting SPECIFY LENGTH</p>  <p>EXAMPLE: SP6 - STRAIGHT PIPE 6" LONG</p> <p><b>SP90(XX)</b> Designed for Straight Arm Mounting SPECIFY LENGTH</p>  <p>EXAMPLE: SP9024 - STRAIGHT PIPE 24" LONG</p> <p><b>PA90 (Wxx)(Dxx)</b> SPECIFY LENGTH (Wxx) SPECIFY DROP (6.5 Minimum) (Dxx)</p>  <p>EXAMPLE: PA90W20D07 - 90° PIPE 20 LONG 7" DEEP THREADED AT FIXTURE END</p>			

## GLASS ENCLOSURES UP TO 27L

<p><b>TF1</b> 3" FROSTED DOME</p> 	<p><b>MF1</b> 3" FROSTED MINI</p> 	<p><b>FJ1</b> 3" FROSTED TALL</p> 	<p><b>WG1</b> 3" WIRE GUARD FITS FJ1</p> 
---	---	---	--

## GLASS ENCLOSURES UP TO 55L

<p><b>TF2</b> 4" FROSTED DOME</p> 	<p><b>MF2</b> 4" FROSTED MINI</p> 	<p><b>FJ2</b> 4" FROSTED TALL</p> 	<p><b>WG2</b> 4" WIRE GUARD FITS FJ2</p> 
---	--	---	--

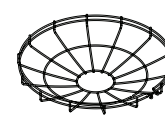
## FIXTURE WIRE GUARDS

**WG12**  
12" Ø WIRE GUARD

**WG14**  
14" Ø WIRE GUARD

**WG16**  
16" Ø WIRE GUARD

**WG18**  
18" Ø WIRE GUARD



## DOORS

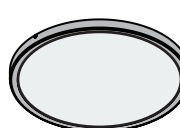
**DR12**  
12" Ø DOOR

**DR16**  
16" Ø DOOR

**DR18**  
18" Ø DOOR

**DR19**  
19" Ø DOOR

**DR20**  
20" Ø DOOR



## LENSES

**FO**  
WHITE OPTICAL LENS

**SO**  
MICRO PRISM SOLITE™ LENS

**FG**  
FROSTED GLASS LENS