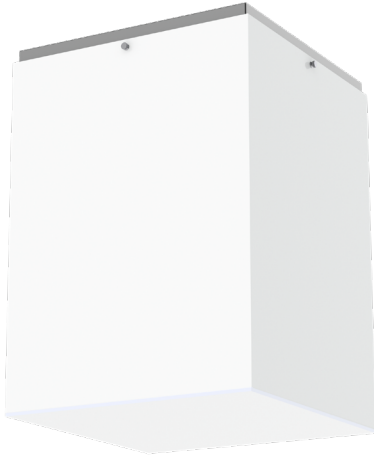




QUADRO 15" PENDANT
INCANDESCENT
 QUADRO

PROJECT: _____
 QUANTITY: _____ TYPE: _____



CY1520SQFAINC

APPLICATION

Quadro 15" Pendant features a clean design for a variety of architectural area lighting applications. INC Series is designed for indoor damp locations.

FEATURES

Speculume series fixtures offer simple contemporary style with functional luminaire performance. All fixtures are designed and manufactured in our factory. Quadro series acrylic pendants are fabricated from opal acrylic. The opal shade glows warmly with no lamp image. A variety of finishes and mounting is available.

FINISH

Multi-stage polyester powder-coat process applied on our dedicated paint lines. A wide variety of standard and custom finishes are available. All exposed materials are chromate pretreated to resist corrosion.

ELECTRONICS

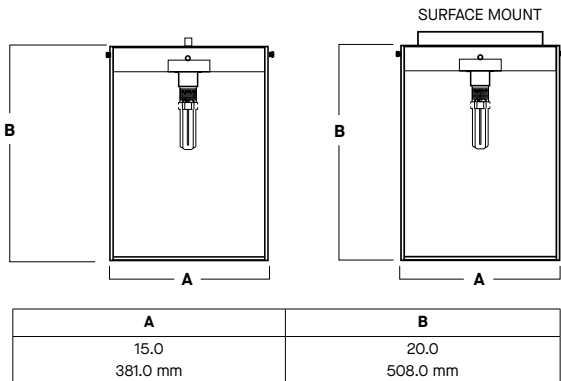
E26 Edison medium base 120V socket for incandescent or LED lamps.

CONSTRUCTION

Fixtures constructed of machined and formed aluminum and optical U.V. stabilized acrylic.

CODE COMPLIANCE

BAA compliant. ETL certified to meet US and Canadian standards. Suitable for dry or damp locations. Manufactured and tested to UL standards No. 1598/8750.



SERIES	MOUNTING/OPTIONS ¹	FINISH ²
CY1520SQFAINC	CD_2 Cord and Cable Mount HM_2 Hang Straight Pendant AT_2 Hang Straight All Thread PM_2 Pendant/Straight Mount FS Fuse Holder and Fuse	MW⁴ Matte White MB⁴ Matte Black PT⁴ Platinum Silver CC Custom Color

EXAMPLE: CY1520SQFAINC/HM26MW

NOTES:
 1 See Mounting Pages Options and Details on Components and Finishes 2 Specify Length in Inches: See Mounting Page for Available Lengths
 3 Reference Color Sheet Located on Product Webpage for Full List of Available Colors/Consult Factory for Special Finishes 4 Standard Finish

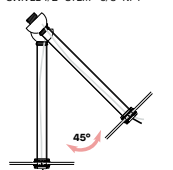
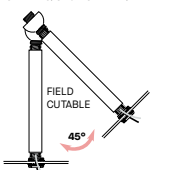

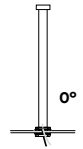
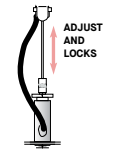


MOUNTING & ACCESSORIES

SOME OPTIONS NOT AVAILABLE ON ALL FIXTURES. CONSULT SPECIFICATION SHEETS. SEE INDIVIDUAL SPECIFICATION SHEETS OR CONSULT FACTORY FOR ADDITIONAL INFORMATION.
NOTE: THIS IS TYPICAL OF SPECULUME SPECIFICATION FOR PENDANT MOUNTING. INDIVIDUAL FIXTURES OR PROJECTS MAY HAVE SPECIALIZED REQUIREMENTS.



CEILING MOUNTING

<p>HM* HANG STRAIGHT 45° SWIVEL 1/2" STEM - 3/8" NPT</p>  <p>ORDER: HM (Length) SPECIFY LENGTH: HM3 - 3" HM24 - 24" HM6 - 6" HM36 - 36" HM12 - 12" HM48 - 48" HM18 - 18" HM72 - 72" HMLC(XX) Custom Length (Specify in Inches)</p>	<p>AT** HANG STRAIGHT ALL THREAD 45° SWIVEL 5/8" OD STEM - 1/4" IP</p>  <p>ORDER: AT (Length) SPECIFY LENGTH: AT12 - 12" AT48 - 48" AT24 - 24" AT60 - 60" AT36 - 36" AT72 - 72"</p> <p><small>FIELD CUT THREADED PIPE FIELD LENGTH NEEDED CUT PIPE COVER - 1/4" SHORTER THAN THREADED PIPE SIP PIPE COVER OVER THREADED PIPE</small></p> 	<p>PM* RIGID PENDANT MOUNT RIGID 1/2" STEM - 3/8" NPT</p>  <p>ORDER: PM (Length) SPECIFY LENGTH: PM3 - 3" PM24 - 24" PM6 - 6" PM36 - 36" PM12 - 12" PM48 - 48" PM18 - 18" PM72 - 72" PMLLC(XX) Custom Length (Specify in Inches)</p>	<p>CD CORD / CABLE MOUNT SJ CORD WITH 1/16 SS CABLE</p>  <p>ORDER: CD (Length) SPECIFY LENGTH: CD36 - 36" CD72 - 72" CD144 - 144" CDLC(XX) Custom Length (Specify in Inches)</p>
--	--	--	---

*MAXIMUM ONE PIECE STEM LENGTH IS 72". **MAXIMUM ONE PIECE STEM LENGTH IS 36". LONGER LENGTHS ARE POSSIBLE USING MULTIPLE STEMS AND COUPLERS.
**ORDER IN 12" INCREMENTS, ODD SIZES MAY BE FIELD CUT

