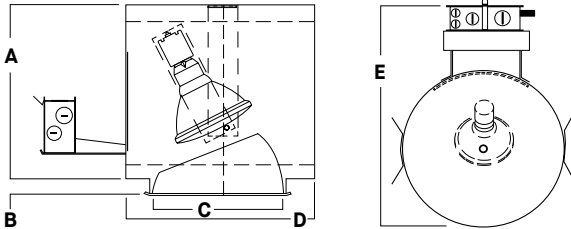
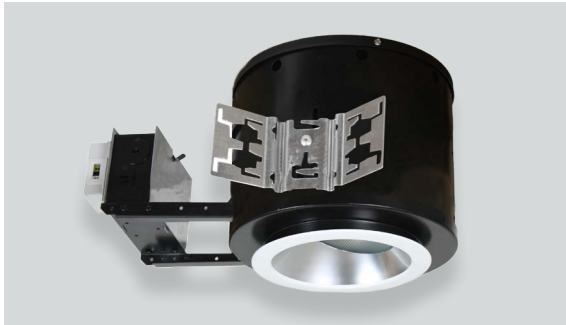
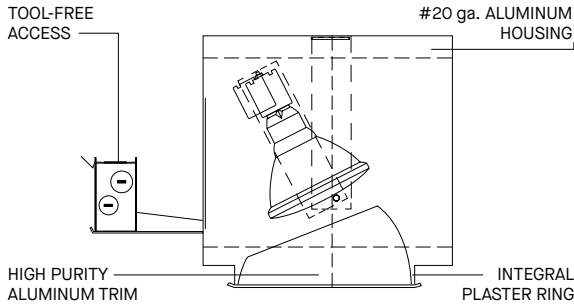




# 8" ADJUSTABLE ACCENT

PAR30L-PAR38 SERIES / 250 WATT MAX INC



| A                | B              | C               | D                | E                |
|------------------|----------------|-----------------|------------------|------------------|
| 10.7<br>271.8 mm | 0.6<br>15.8 mm | 7.5<br>190.5 mm | 11.5<br>292.1 mm | 16.0<br>406.4 mm |

## SGA8IN

### APPLICATION

8" Round PAR30/ PAR38 accent light for Incandescent lamps.

### FEATURES

Efficient trim design with a variety of lens options. Trim rotates/ locks 360°. Lamp tilts/ locks 35°. Integral 5/8" (0.625) plaster ring. Maximum wattage label (**MWL**) for low wattage Incandescent or LED lamps. Tool-less ballast access. Multi-bar adjustable mounting brackets.

### FINISH

Variety of powdercoat and anodized finishes available on trim. Eco Black (**EB**) finish available on frame/housing.

### ELECTRONICS

**120 Volt** is standard. Use option **T277** for 277V supply feed.

### CONSTRUCTION

Frame constructed of 20 ga. aluminum. Trim spun from .063 high purity aluminum and finished to specification.

### LABELS

UL/ETL Listed for Damp locations. Wet location available. Manufactured and tested to UL Standard No. 1598.

| RECESSED HOUSING SPECIFICATION |  | TRIM SPECIFICATION                     |                                     |  |                        |   |
|--------------------------------|--|--|-------------------------------------|--|------------------------|---|
| SERIES                         | OPTIONS  | TRIM OPTIONS <sup>4</sup>              |                                     | FIXTURE LAMPING <sup>9</sup>   |                        |   |
| <b>SGA8IN</b>                  | <b>BH27</b> 27" Bar Hangers                    | <b>AR8500</b>                          | <b>SG</b> <sup>6</sup> Semi-Diffuse | <b>GS</b> Gasket   | <b>LAMP</b>            | <b>MAX WATT</b>                                 |
|                                | <b>CB24</b> C-Channel Bars                     |  | <b>HZ</b> Haze Full Diffuse         |  |                        |   |
|                                | <b>CR</b> Corrosion Resistant                  | <b>AR8550</b> <sup>8</sup>             | <b>MW</b> Matte White               | <b>PG</b> Prismatic Glass Lens   | PAR30L<br>PAR38<br>R40 | 75W<br>250W <sup>10</sup><br>250W <sup>10</sup> |
|                                | <b>T277</b> Step Down Transformer 277v to 120v | <b>MB</b> Matte Black                  | <b>SO</b> Micro Prism Solite™ Lens  | <b>LN</b> See Recessed Fixtures/Lens Options for Lens, Louver and Filter Accessories |                        |   |
|                                | <b>FS</b> Fusing                               | <b>AC</b> Anodic Champagne             | <b>AS</b> Anodic Sapphire           | <b>WL</b> <sup>8</sup> Wet Location  |                        |   |
|                                | <b>PR</b> <sup>3</sup> Plaster Ring            | <b>PT</b> Platinum Silver              | <b>OB</b> Oil Rubbed Bronze         |  |                        |   |
|                                | <b>MWL</b> <sup>3</sup> Max Wattage Label      | <b>CH</b> Charcoal                     | <b>AS</b> Anodic Sapphire           |  |                        |   |
|                                | <b>EB</b> Eco Black Housing Finish             | <b>AM</b> Anodic Malachite             | <b>SN</b> Sun Gold                  |  |                        |   |
|                                | <b>TBC</b> T-Bar Clips                         | <b>CO</b> Copper Metallic              | <b>GH</b> Graphite                  |  |                        |   |
|                                | <b>TR</b> Top Relamping Option                 | <b>AMB</b> Anti Microbial Finish       | <b>CC</b> Custom Color              |  |                        |   |
|                                |  | <b>PF</b> <sup>7</sup> Polished Flange |                                     |  |                        |   |

**EXAMPLE:** SGA8IN/AR8500 SG

**NOTES:**

1 Standard Bar Hangers 2 Special Depth 3 Specify Wattage 4 Contact Factory for Special Finishes 5 Finish as Specified for Lens Options 6 Standard Finish 7 Flange and Reflector Same Finish 8 Only Available in AR8550 9 Medium Base 10 Open - No Lens/No Wet Location Only



**PROJECT:** \_\_\_\_\_  
**TYPE:** \_\_\_\_\_



Dimensions and values shown are nominal. Spectrum Lighting continually works to improve products and reserves the right to make changes which may alter the performance or appearance of products.