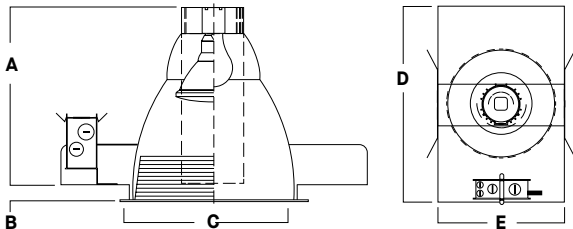
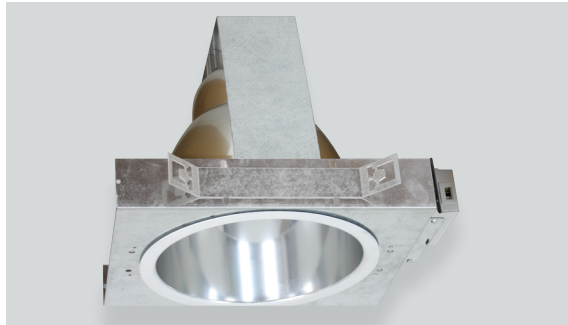
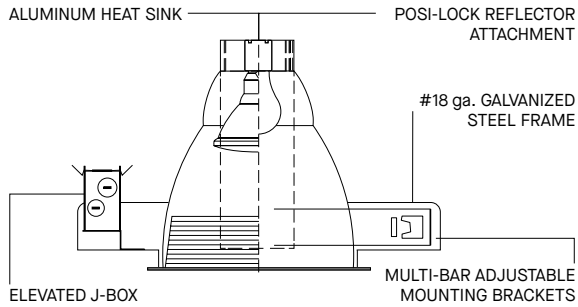




# 10" OPEN REFLECTOR/ BAFFLE

## PAR SERIES / 300 WATT MAX INC



A	B	C	D	E
13.0 330.2 mm	0.6 15.8 mm	10.0 254.0 mm	19.0 482.6 mm	12.0 304.8 mm

### SG10IN

#### APPLICATION

Series features a deep reflector and excellent cutoff.

#### FEATURES

Efficient reflector design optimized for Incandescent lamps. Posi-lock reflector attachment. Integral 5/8" (0.625) plaster ring. Maximum wattage label (MWL) for low wattage Incandescent or LED lamps. Tool-less ballast access. Multi-bar adjustable mounting brackets.

#### FINISH

Variety of powdercoat and anodized finishes available on reflector. Eco Black (EB) finish available on frame/housing.

#### ELECTRONICS

**120 Volt** is standard. Use option **T277** for 277V supply feed.

#### CONSTRUCTION

Frame constructed of 18 ga. galvanized steel. Reflectors spun from .063 high purity aluminum and finished to specification.

#### LABELS

UL/ETL Listed for Damp locations. Manufactured and tested to UL Standard No. 1598.

SERIES	OPTIONS	TRIM / FINISH	TRIM OPTIONS	FIXTURE LAMPING*										
<b>SG10IN-</b> Spectrum Gold 10" Vertical	<b>BH27</b> -27" Bar Hangers (Supplied) <b>CB24</b> -C-Channel Bars <b>CR</b> -Corrosion Resistant <b>T277</b> -Step Down Transformer 277V to 120V <b>FS</b> -Fuse Holder and Fuse <b>PR</b> -Plaster Ring (Special Depth) <b>TBC</b> -T-bar Clips (Fit BH27) <b>MWL</b> -Max Wattage Label (Specify Wattage) <b>EB</b> -Eco Black Housing Finish	<b>AR1010-SG</b> -Semi-Diffuse Low-Iridescent (Standard) <b>CL</b> -Clear Bright Alzak <b>GO</b> -Gold Alzak <b>HZ</b> -Matte Low Iridescent <b>PW</b> -Pewter Alzak <b>UM</b> -Umber Alzak <b>WE</b> -Wheat Alzak <b>BK</b> -Black Finish <b>WH</b> -White Finish <b>PF</b> -Polished Flange	<b>GS</b> -Gasket <b>BB</b> -Black Micro Baffle <b>WB</b> -White Micro Baffle	<table border="1"> <thead> <tr> <th>LAMP</th> <th>MAX. WATTAGE</th> </tr> </thead> <tbody> <tr> <td>A21</td> <td>200w</td> </tr> <tr> <td>PS25</td> <td>300w</td> </tr> <tr> <td>PAR38</td> <td>250w</td> </tr> <tr> <td>R40<sup>1</sup></td> <td>300w</td> </tr> </tbody> </table> <p>All lamps are medium base (standard)  <sup>1</sup> Specify <b>MG</b> for Mogul Base  <b>NOTE:</b> This lamping is for <b>NON-IC</b> only.</p> <p>*For Available <b>Decorative Architectural Trims</b>, Consult Factory.</p>	LAMP	MAX. WATTAGE	A21	200w	PS25	300w	PAR38	250w	R40 <sup>1</sup>	300w
LAMP	MAX. WATTAGE													
A21	200w													
PS25	300w													
PAR38	250w													
R40 <sup>1</sup>	300w													
	<sup>1</sup> For R40 300w Only	Note: White Flange is Standard.												

EXAMPLE: SG10IN/ AR1010 SG



PROJECT: \_\_\_\_\_  
 TYPE: \_\_\_\_\_

Dimensions and values shown are nominal. Spectrum Lighting continually works to improve products and reserves the right to make changes which may alter the performance or appearance of products.

