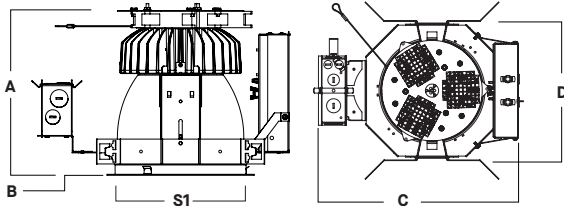
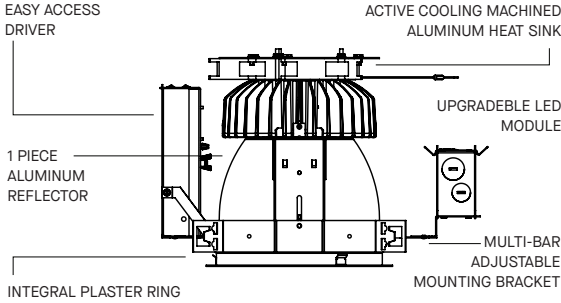




8" DEEP ROUND LX SERIES / 17000 LUMENS



A	B	C	D	S1
10.3 261.6 mm	0.625 15.8 mm	15.2 386.1 mm	10.6 269.2 mm	7.5 190.5 mm

SGV8LX - TRIM FLANGE / NON-IC RATED

APPLICATION

8" recessed open aperture high output fixture for high ceiling area lighting with deep cutoff.

FEATURES

Single stage optical system with deep reflector design delivers smooth general illumination. Delivers 7199 lumens. Multi-Bar mounting brackets. BH27 Standard mounting bars included. Integral 0.625" collar, with plaster option (PR) for up to 3" thick ceiling.

FINISH

Semi-Diffuse finish is standard with matching or white flange option.

ELECTRONICS

LX LED system features high brightness white LED's. 3 step MacAdam Ellipse binning. Standard CRI: 80+. Higher CRI, R9 and custom LED configurations are available; consult factory. Variety of electronic 120V/277V and dimming drivers. Active cooling provided by 3 fans mounted above the heatsink, each consuming 1W.

CONSTRUCTION

Housing/frame constructed of #20 ga. galvanized steel to resist corrosion. Self-flanged one piece trim spun from 0.063" thick high purity aluminum and finished to specification. Extruded and machined 6063-H32 aluminum heatsink. Carbon gasket for optimal thermal management.

CODE COMPLIANCE

BAA Compliant. Non-IC rated. ETL listed for damp locations. Manufactured and tested to UL standards No. 1598/8750.

WATTAGE TO LUMENS UPDATE				
PART NUMBER	SOURCE LUMENS ¹	DELIVERED LUMENS ²	SYSTEM WATTS	LPW
SGV8LX100L	10000	7199	86.1	84

SERIES	LUMENS ¹		CCT	BEAM		DRIVER / VOLTAGE		OPTIONS ⁴		TRIM	FINISH	FLANGE FINISH		TRIM OPTIONS						
	100L	10000 Lm		27K	2700K	MD	52°	E_	Electronic Driver			1	120V	BH27 ⁵	27" Solid Bars	AR8664LX MD	SG	Semi-Diffuse	WF	White Flange Matching Flange
SGV8LX				30K	3000K	WD	64°	DS10_	10% 0-10V	2	277V	H06	6" - 12" Expandable Bars	AR8664LX WD			MF			
				35K	3500K			DMXS_	DMX Standard Configuration			H12	12" - 24" Expandable Bars							
				40K	4000K			DMXC_	DMX Non-Standard Custom			CB24	24" C-Channel Bars							
												FS	Fusing							
												EM1	Emergency Battery Pack, 120V							
												EM2	Emergency Battery Pack, 277V							
												CR	Corrosion Resistant							
												PR ⁶	Deep Ceiling Extension							
												TBC	T-bar Clips (for BH27)							
												GR	Goof Ring							
												EB	Black Housing							

EXAMPLE: SGV8LX140L30KMDE1/BH27/AR8664LXWD SGWF

NOTES:

1 Nominal Source Lumens 2 Nominal Delivered Lumens at 35K with WD Trim 3 Contact Factory 4 See Product Options Page for Details 5 Standard Bar Hangers 6 Contact Factory



PROJECT: _____
TYPE: _____



Dimensions and values shown are nominal. Spectrum Lighting continually works to improve products and reserves the right to make changes which may alter the performance or appearance of products.