



**ACRYLIC DECO TIER**  
**INCANDESCENT**  
 CYLINDRO

PROJECT: \_\_\_\_\_

QUANTITY: \_\_\_\_\_ TYPE: \_\_\_\_\_



**CYO608INC**

**APPLICATION**

Acrylic Deco Tier features floating acrylic shade to obscure light source and cast a decorative light pattern on ceiling. INC Series is designed for indoor damp locations.

**FEATURES**

Speclume series fixtures offer simple contemporary style with functional luminaire performance. All fixtures are designed and manufactured in our factory. The Acrylic Deco Tier floats with micro suspended shade. A variety of finishes and mounting options are available.

**FINISH**

Multi-stage polyester powder-coat process applied on our dedicated paint lines. A wide variety of standard and custom finishes are available. All exposed materials are chromate pretreated to resist corrosion.

**ELECTRONIC**

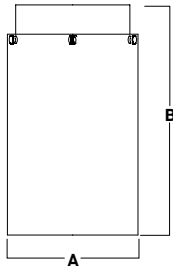
E26 Edison medium base 120V socket for incandescent or LED lamps.

**CONSTRUCTION**

Fixtures constructed of spun, machined and formed aluminum and optical UV stabilized acrylic.

**CODE COMPLIANCE**

BAA compliant. ETL certified to meet US and Canadian standards. Suitable for dry or damp locations. Manufactured and tested to UL standards No. 1598/8750.



A	B
6.0	10.3
152.4 mm	261.62 mm

SERIES	MOUNTING/OPTIONS <sup>1</sup>	FINISH <sup>3</sup>	
<b>CYO608INC</b>	<b>CD</b> <sub>2</sub>	Cord and Cable Mount	<b>MW</b> <sup>4</sup> Matte White <b>MB</b> <sup>4</sup> Matte Black <b>PT</b> <sup>4</sup> Platinum Silver <b>CC</b> <sup>4</sup> Custom Color
	<b>HM</b> <sub>2</sub>	Hang Straight Pendant	
	<b>AT</b> <sub>2</sub>	Hang Straight All Thread	
	<b>PM</b> <sub>2</sub>	Pendant/Straight Mount	
	<b>SM</b> <sub>2</sub>	Surface Mount	
	<b>FS</b>	Fuse Holder and Fuse	

**EXAMPLE: CYO608INC/SMBA**

**NOTES:**  
 1 See Mounting Pages Options and Details on Components and Finishes 2 Specify Length in Inches: See Mounting Page for Available Lengths  
 3 Reference Color Sheet Located on Product Webpage for Full List of Available Colors/Consult Factory for Special Finishes 4 Standard Interior Finish

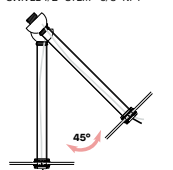
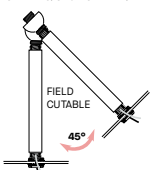

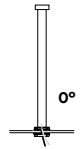
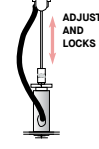
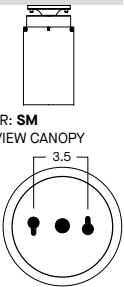


# MOUNTING & ACCESSORIES

SOME OPTIONS NOT AVAILABLE ON ALL FIXTURES. CONSULT SPECIFICATION SHEETS. SEE INDIVIDUAL SPECIFICATION SHEETS OR CONSULT FACTORY FOR ADDITIONAL INFORMATION.  
NOTE: THIS IS TYPICAL OF SPECULUME SPECIFICATION FOR PENDANT MOUNTING. INDIVIDUAL FIXTURES OR PROJECTS MAY HAVE SPECIALIZED REQUIREMENTS.



## CEILING MOUNTING

<p><b>HM*</b> HANG STRAIGHT 45° SWIVEL 1/2" STEM - 3/8" NPT</p>  <p>ORDER: <b>HM</b> (Length) SPECIFY LENGTH: <b>HM3</b> - 3"    <b>HM24</b> - 24" <b>HM6</b> - 6"    <b>HM36</b> - 36" <b>HM12</b> - 12"    <b>HM48</b> - 48" <b>HM18</b> - 18"    <b>HM72</b> - 72" <b>HMLC(XX)</b> Custom Length (Specify in inches)</p>	<p><b>AT**</b> HANG STRAIGHT ALL THREAD 45° SWIVEL 5/8" OD STEM - 1/4" IP</p>  <p>ORDER: <b>AT</b> (Length) SPECIFY LENGTH: <b>AT12</b> - 12"    <b>AT48</b> - 48" <b>AT24</b> - 24"    <b>AT60</b> - 60" <b>AT36</b> - 36"    <b>AT72</b> - 72"</p> <p><small>FIELD CUT THREADED PIPE FIELD LENGTH NEEDED CUT PIPE COVER - 1/4" SHORTER THAN THREADED PIPE SIP PIPE COVER OVER THREADED PIPE</small></p> 	<p><b>PM*</b> RIGID PENDANT MOUNT RIGID 1/2" STEM - 3/8" NPT</p>  <p>ORDER: <b>PM</b> (Length) SPECIFY LENGTH: <b>PM3</b> - 3"    <b>PM24</b> - 24" <b>PM6</b> - 6"    <b>PM36</b> - 36" <b>PM12</b> - 12"    <b>PM48</b> - 48" <b>PM18</b> - 18"    <b>PM72</b> - 72" <b>PMLLC(XX)</b> Custom Length (Specify in inches)</p>	<p><b>CD</b> CORD / CABLE MOUNT SJ CORD WITH 1/16 SS CABLE</p>  <p>ORDER: <b>CD</b> (Length) SPECIFY LENGTH: <b>CD36</b> - 36" <b>CD72</b> - 72" <b>CD144</b> - 144" <b>CDLC(XX)</b> Custom Length (Specify in inches)</p>	<p><b>SM</b> SURFACE MOUNT WIRING COMPARTMENT / TOP HAT</p>  <p>ORDER: <b>SM</b> TOP VIEW CANOPY</p> <p>KEY SLOTS MOUNT CANOPY TO WALL JUNCTION BOX. JUNCTION BOX IS COVERED.</p>
--	--	--	---	--

\*MAXIMUM ONE PIECE STEM LENGTH IS 72". \*\*MAXIMUM ONE PIECE STEM LENGTH IS 36". LONGER LENGTHS ARE POSSIBLE USING MULTIPLE STEMS AND COUPLERS.  
\*\*ORDER IN 12" INCREMENTS, ODD SIZES MAY BE FIELD CUT

