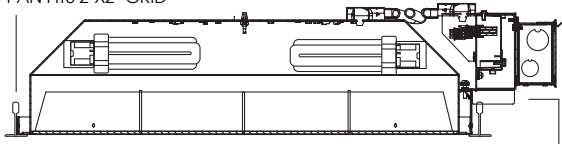


POWDER COATED .18 GAUGE GALVANIZED STEEL  
AND ALUMINUM CONSTRUCTION

PAN FITS 2'X2' GRID



VARIETY OF LENS AND LOUVER OPTIONS

QUICK MOUNT BALLAST TRAY



# 2' x 2' GRID SERIES LAY-IN LOW/HIGH BAY 4X42 WATT MAX



## APPLICATIONS

2' X 2' grid ceiling fixture with choice of lenses and louvers.

## FEATURES

Designed to fit in 2x2 grid ceiling applications.  
Quick-mount ballast tray for ease of maintenance.  
Snap clip housing release.

## FINISH

Variety of lens, louvers, and fixture finishes available.

## ELECTRONICS

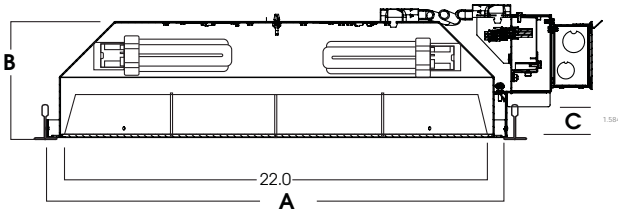
Thermally protected ballast.  
Variety of dimming, circuitry, and control options.  
Emergency ballasts available.

## CONSTRUCTION

Fixture fabricated from #18 gauge galvanized steel and aluminum.  
Finished in gloss white powdercoat.

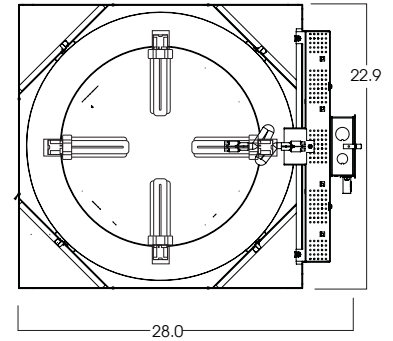
## CERTIFICATIONS

UL listed for damp locations.  
Manufactured and tested to UL standard No. 1598.



A	B	C
22.9 581.6 mm	6.0 152.4mm	1.58 40.1 mm

Fits Standard 2'x2' Grid  
Fixture Weight: 15.5 lbs



SERIES	LAMPS	BALLAST	OPTIONS	DIFFUSER	COLOR
<b>GC2208CF</b> 2' X 2' Compact Fluorescent for Grid Ceiling Low/ High Bay Deep Cross Baffle	<b>4x42w</b>	<b>EX</b> -Electronic, Multi-Volt 120v thru 277v <b>DA1</b> -Advance Mark 10™ Powerline Dimming, 120v <sup>1</sup> <b>DA2</b> -Advance Mark 10™ Powerline Dimming, 277v <sup>1</sup> <b>DA7</b> -Advance Mark 7™ 0-10v Dimming, 120v thru 277v <b>DLE</b> -Lutron EcoSystem™ 120v/ 277v (Min. Dimming Level 5%) <sup>1</sup>	<b>FS</b> -Fuse holder and fuse <b>EM1</b> -Emergency Back Up-120V <b>EM2</b> -Emergency Back Up-277v <b>2CIR</b> -2 Circuit <b>3CIR</b> -3 Circuit <b>4CIR</b> -4 Circuit <b>HILO</b> -Hi Lo	<b>16CXB</b> - 16 Cell Cross Blade Louver* <b>WO</b> -White Optix 90° <b>PG</b> - Prismatic Glass <b>PA</b> - Prismatic Acrylic <b>CN</b> - Conical Lens <b>DL</b> - Drop Lens  * Shown	<b>GW</b> -Gloss White <b>MW</b> -Matte White <b>MB</b> -Matte Black <b>SI</b> -Silver <b>CC</b> -Custom Color  <b>GS</b> -Gasket

**EXAMPLE:** GC2208CF442EX/16CXB GW

Dimensions shown are nominal. Spectrum Lighting is continually improving products and reserves the right to make changes that will not alter performance or appearance with or without written notice.

<b>PROJECT:</b>	<b>TYPE:</b>
<b>CAT. NO.:</b>	



WWW.SPECLIGHT.COM • 994 JEFFERSON STREET, FALL RIVER, MA 02721 • 508.678.2303 FAX

