

**SR10SQLEDOA**

**APPLICATION**

10" square recessed LED downlight LED features soffit/area light for optimal performance.

**FEATURES**

Efficient, powerful LED light source, designed to exceed 50,000 hours of life (**L70**). Multi-Bar mounting brackets. All LED modules and drivers are replaceable and up-gradeable. New and Retrofit/Remodeler options. Wet location use screws fasteners. (4)

**FINISH**

A variety of architectural powdercoat and anodized finishes are available. Matte White flange is standard.

**ELECTRONICS**

LED module features high brightness white Nichia LEDs. 3-step MacAdam Ellipses binning and CRI 84 minimum. Variety of electronic 120V/277V and dimming drivers.

**CONSTRUCTION**

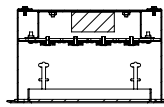
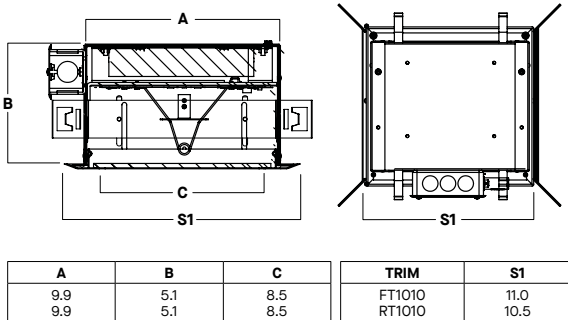
Housing constructed of .050 5052-H32 aluminum. Trim fabricated from aluminum extrusion and finished to specification.

**CODE COMPLIANCE**

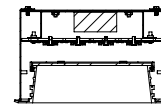
BAA Compliant. Non-IC rated. ETL certified to meet US and Canadian standards. Suitable for dry or damp locations. Optional Wet location. Manufactured and tested to UL standards No. 1598/8750.

LUMENS / WATTAGE DATA			
PART NUMBER	DELIVERED LUMENS <sup>1</sup>	SYSTEM WATTS	LPW
SR10SQLEDOA 10L	622	10.1	62
SR10SQLEDOA 20L	1189	17	70
SR10SQLEDOA 30L	1723	23.8	72
SR10SQLEDOA 40L	2165	31.3	69

<sup>1</sup> Nominal Delivered Lumens at 35K xx RT1010 MW xx FO



FT-Flush Trim/Lens



RT-Regressed Trim/Lens



Retrofit/Remodeler with Flush Trim

SERIES	LUMENS <sup>1</sup>	CCT	DRIVER / VOLTAGE <sup>2</sup>	OPTIONS <sup>3</sup>	TRIM	FINISH	OPTIONS		
SR10SQLEDOA	10L	600 Lm	35K 40K 3500K 4000K	E_ Electronic Driver DS10_ 10%, 0-10V	1 120V 2 277V	BH27 <sup>4</sup> 27" Solid Bars H12 12" - 24" Expandable Bars H06 6" - 12" Expandable Bars CB24 24" C-Channel Bars FS Fusing EM Integral Emergency Battery CR Corrosion Resistant RM Remodeler Housing	FLUSH TRIM	TRIM / FLANGE FINISH MW <sup>5</sup> Matte White MB Matte Black PT Platinum CC <sup>6</sup> Custom Color	LENS FO <sup>7</sup> Matte White Acrylic Lens 90% Efficient SO Solite Lens WL <sup>8</sup> Wet Location
	20L	1150 Lm					FT1010 Flush Extruded Aluminum Door		
	30L	1700 Lm				REGRESSED TRIM	REGRESSED FINISH	TRIM / FLANGE FINISH	
	40L	2150 Lm				RT1010 Regressed Extruded Aluminum Door	MW <sup>5</sup> Matte White MB Matte Black PT Platinum Silver CC <sup>6</sup> Custom Color	WF <sup>7</sup> White Flange MF Matching Flange	

**EXAMPLE:** SR10SQLEDOA20L30KE1BH27/FT1010MW/FO

NOTES:  
1 Nominal Delivered Lumens at 35K xx RT1010 MW xx FO 2 Contact Factory for Additional Options 3 See Product Options Page for Details 4 Standard Bar Hangers 5 Contact Factory for Special Finishes 6 Standard Finish 7 For use with Non Matte White Trim Finish 8 Standard Lens 9 Trim Secured with 4 Screws



PROJECT: \_\_\_\_\_  
QUANTITY: \_\_\_\_\_ TYPE: \_\_\_\_\_





# 10" SQUARE LENSED ENDURO SERIES / PHOTOMETRIC DATA

SR10SQLEDOA 40L 35K xx FT1010 MW xx FO

CANDLEPOWER CURVE TEST SP-01640_3	INTENSITY CANDELA 0° AZIMUTH	ZONAL LUMENS	SINGLE UNIT: PERFORMANCE HORIZONTAL FOOTCANDLES INITIAL DOWNLIGHT ONLY				MULTIPLE UNITS: PERFORMANCE 80/50/20% REFLECTANCES HORIZONTAL FOOTCANDLES AND WATTS/SQ FT								
			Mounting Distance	FC at Beam Center	Diameter at Beam Angle	FC at Beam Edge	Ceiling Height	Fixture Spacing	RCR 2		RCR 4				
	0°	706	0° - 10°	68	4%	5.5'	23 fc	14.3'	3 fc	9'	6'	39	0.74	44	1.07
	0°	706	0° - 20°	256	14%	6.5'	17 fc	16.9'	2 fc	12'	8'	26	0.50	21	0.50
	5°	702	0° - 30°	535	29%	7.5'	13 fc	19.5'	1 fc	16'	12'	9	0.17	10	0.25
	15°	668	0° - 40°	863	47%	8.5'	10 fc	22.1'	1 fc	Delivered Illuminance Rating: (DIR)		53 FC per W/Sq. Ft.		41 FC per W/Sq. Ft.	
	25°	607	0° - 60°	1486	80%	10.0'	7 fc	26.0'	1 fc	Recessed mounting Square rooms used for multiple units: RCR 2: Length & Width = Ceiling Ht. - 2.5' x 5.00 RCR 4: Length & Width = Ceiling Ht. - 2.5' x 2.50 * Average Initial Footcandles at 2.5' Above Floor					
	35°	526	0° - 80°	1815	98%	12.0'	5 fc	31.3'	1 fc						
	45°	430	0° - 90°	1841	99%	14.0'	4 fc	36.5'	0 fc						
	55°	327	Total	1853	100%	16.0'	3 fc	41.7'	0 fc						
	90°	4													

Delivered Lumens: 1853  
Luminaire Watts: 31.3  
LER: 59.20

CP at 0° (Nadir): 706

Beam Angle: 105°  
Spacing Ratio: 1.19  
Melanopic Ratio: 0.55

SR10SQLEDOA 40L 35K xx RT1010 MW xx FO

CANDLEPOWER CURVE TEST SP-01641_3	INTENSITY CANDELA 0° AZIMUTH	ZONAL LUMENS	SINGLE UNIT: PERFORMANCE HORIZONTAL FOOTCANDLES INITIAL DOWNLIGHT ONLY				MULTIPLE UNITS: PERFORMANCE 80/50/20% REFLECTANCES HORIZONTAL FOOTCANDLES AND WATTS/SQ FT								
			Mounting Distance	FC at Beam Center	Diameter at Beam Angle	FC at Beam Edge	Ceiling Height	Fixture Spacing	RCR 2		RCR 4				
	0°	963	0° - 10°	92	4%	5.5'	32 fc	12.1'	5 fc	9'	6'	47	0.74	53	1.07
	0°	963	0° - 20°	342	16%	6.5'	23 fc	14.2'	4 fc	12'	8'	31	0.50	25	0.50
	5°	954	0° - 30°	704	33%	7.5'	17 fc	16.4'	3 fc	16'	12'	11	0.17	12	0.25
	15°	893	0° - 40°	1113	51%	8.5'	13 fc	18.6'	2 fc	Delivered Illuminance Rating: (DIR)		63 FC per W/Sq. Ft.		50 FC per W/Sq. Ft.	
	25°	790	0° - 60°	1832	85%	10.0'	10 fc	21.9'	1 fc	Recessed mounting Square rooms used for multiple units: RCR 2: Length & Width = Ceiling Ht. - 2.5' x 5.00 RCR 4: Length & Width = Ceiling Ht. - 2.5' x 2.50 * Average Initial Footcandles at 2.5' Above Floor					
	35°	663	0° - 80°	2137	99%	12.0'	7 fc	26.3'	1 fc						
	45°	519	0° - 90°	2156	100%	14.0'	5 fc	30.7'	1 fc						
	55°	369	Total	2165	100%	16.0'	4 fc	35.1'	1 fc						
	90°	3													

Delivered Lumens: 2165  
Luminaire Watts: 31.3  
LER: 69.17

CP at 0° (Nadir): 963

Beam Angle: 95°  
Spacing Ratio: 1.13  
Melanopic Ratio: 0.57