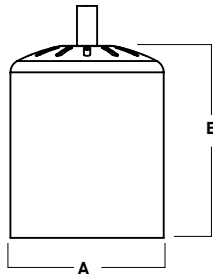




**CORTADO**  
**INCANDESCENT**  
 CAFÉS

PROJECT: \_\_\_\_\_  
 QUANTITY: \_\_\_\_\_ TYPE: \_\_\_\_\_



A	B
6.0	9.0
152.4 mm	228.6 mm

**RB70INC - INTERIOR ONLY / DAMP LOCATION**

**APPLICATION**

Cafe series offers a playful variety of fixture shapes. INC Series is designed for covered or indoor dry/damp locations.

**FEATURES**

Spectrum Lighting's RLM Series are interpretations of classic lighting fixtures reimagined with modern INC light sources and materials. The wide range of options for illumination, mounting and finishes allows for creative fixture specification and design.

**FINISH**

Multi-stage polyester powder-coat process applied on our dedicated paint lines. Variety of standard and custom finishes are available. Interior is Matte White unless specified.

**ELECTRONICS**

E26 Edison medium base 120V socket for incandescent or LED lamps.

**CONSTRUCTION**

Fixture shades are spun in our factory from 0.063 high purity aluminum.

**CODE COMPLIANCE**

BAA Compliant. ETL listed for dry/damp locations. Manufactured and tested to UL standards No. 1598/8750.

SERIES	MOUNTING <sup>1</sup>	INTERIOR FINISH <sup>4</sup>	EXTERIOR FINISH <sup>4</sup>
RB70INC	CEILING MOUNT	<b>MW</b> <sup>5</sup> Matte White <b>CCI</b> Custom Color <b>FCI</b> Fixture Color Interior	<b>MW</b> <sup>5</sup> Matte White <b>MB</b> <sup>5</sup> Matte Black <b>PT</b> <sup>5</sup> Platinum Silver <b>CC</b> Custom Color
	<b>HM</b> <sub>-2</sub> Hang Straight Pendant <b>AT</b> <sub>-2</sub> Hang Straight All Thread <b>PM</b> <sub>-2</sub> Pendant/Straight Mount <b>CD</b> <sub>-2</sub> Cord and Cable Mount <b>CM</b> <sub>-2</sub> Cord Mount		

**EXAMPLE: RB70INC/CD96/MWIOR**

**NOTES:**  
 1 See Mounting Pages Options and Details on Components and Finishes 2 Specify Length in Inches: See Mounting Page for Available Lengths 3 Reference Color Sheet Located on Product Webpage for Full List of Available Colors 4 Standard Finish

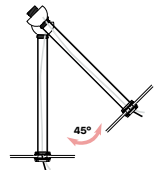
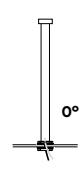
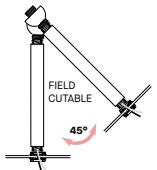
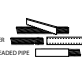
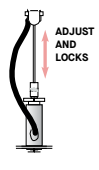



# MOUNTING & ACCESSORIES

SOME OPTIONS NOT AVAILABLE ON ALL FIXTURES. CONSULT SPECIFICATION SHEETS. SEE INDIVIDUAL SPECIFICATION SHEETS OR CONSULT FACTORY FOR ADDITIONAL INFORMATION. NOTE: THIS IS TYPICAL OF RLM SPECIFICATION FOR MOUNTING. INDIVIDUAL FIXTURES OR PROJECTS MAY HAVE SPECIALIZED REQUIREMENTS.



## CEILING MOUNTING

<p><b>HM*</b> HANG STRAIGHT 45° SWIVEL 5/8" OD STEM - 3/8" IP</p>  <p>ORDER: HM (Length) SPECIFY LENGTH: <b>HM3</b> - 3"    <b>HM24</b> - 24" <b>HM6</b> - 6"    <b>HM36</b> - 36" <b>HM12</b> - 12"    <b>HM48</b> - 48" <b>HM18</b> - 18"    <b>HM72</b> - 72" <b>HMLC(XX)</b> Custom Length (Specify in Inches)</p>	<p><b>PM*</b> RIGID PENDANT MOUNT RIGID 5/8" OD STEM - 3/8" IP</p>  <p>ORDER: PM (Length) SPECIFY LENGTH: <b>PM3</b> - 3"    <b>PM24</b> - 24" <b>PM6</b> - 6"    <b>PM36</b> - 36" <b>PM12</b> - 12"    <b>PM48</b> - 48" <b>PM18</b> - 18"    <b>PM72</b> - 72" <b>PMLC(XX)</b> Custom Length (Specify in Inches)</p>	<p><b>AT**</b> HANG STRAIGHT ALL THREAD 45° SWIVEL 5/8" OD STEM - 1/4" IP</p>  <p>ORDER: AT (Length) SPECIFY LENGTH: <b>AT12</b> - 12"    <b>AT48</b> - 48" <b>AT24</b> - 24"    <b>AT60</b> - 60" <b>AT36</b> - 36"    <b>AT72</b> - 72" <small>FIELD CUT: THREADED PIPE TO LENGTH NEEDED. CUT PIPE CODED - 3/4" SHORTER THAN THREADED PIPE. SLIP PIPE COVER* OVER THREADED PIPE.</small></p> 	<p><b>CD</b> CORD / CABLE MOUNT SJ CORD WITH 1/16 SS CABLE</p>  <p>ORDER: CD (Length) SPECIFY LENGTH: <b>CD36</b> - 36" <b>CD72</b> - 72" <b>CD144</b> - 144" <b>CDLC(XX)</b> Custom Length (Specify in Inches)</p>	<p><b>CM</b> CORD MOUNT SJ CORD WITH STRAIN RELIEF</p>  <p>ORDER: CM (Length) SPECIFY LENGTH: <b>CM36</b> - 36" <b>CM72</b> - 72" <b>CM144</b> - 144" <b>CMLC(XX)</b> Custom Length (Specify in Inches)</p>
---	--	---	--	---

\*MAXIMUM ONE PIECE STEM LENGTH IS 72". \*\*MAXIMUM ONE PIECE STEM LENGTH IS 36". LONGER LENGTHS ARE POSSIBLE USING MULTIPLE STEMS AND COUPLERS.  
\*\*ORDER IN 12" INCREMENTS, ODD SIZES MAY BE FIELD CUT