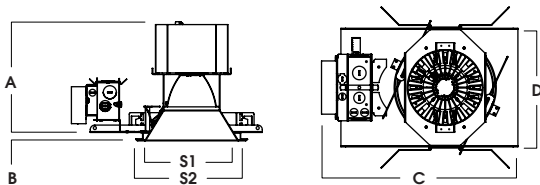
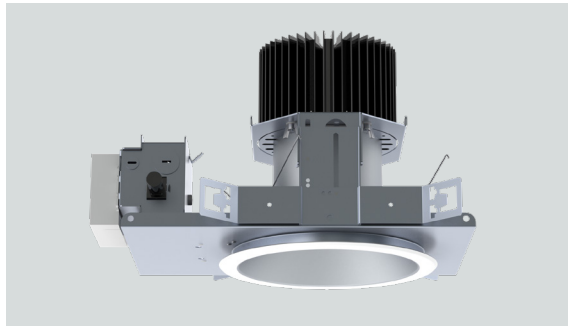
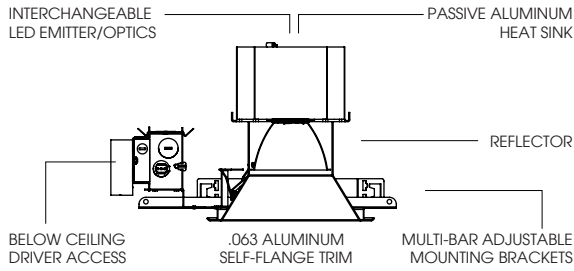




8" ROUND DOWNLIGHT BX SERIES / 8000 LUMENS MAX



A	B	C	D	S1	S2
9.2	.625	15.5	9.4	7.5	9.1
233.7 mm	15.9 mm	393.4 mm	238.8 mm	190.5 mm	231.1 mm

Fixture Weight: 7.9 lbs

Ceiling Cutout: Ø 8.0

SGE8BX - TRIM FLANGE / NON-IC RATED

APPLICATION

8" round open aperture deep regressed recessed high output LED downlight for high ceiling illumination in malls, churches and commercial applications.

FEATURES

Two-stage optical system for smooth light distribution and focus control. Quick change LED module with interchangeable optics for job site adjustment and fixture maintenance. Tool-less driver and j-box access. Posi-lock trim retention torsion springs. Multi-bar mounting brackets.

TRIM FINISH

A variety of architectural powdercoat and anodized finishes are available.

ELECTRONICS

LED module features high brightness white Bridgelux® LEDs. 3-step MacAdam Ellipse binning and CRI 80 or 90. 2-step MacAdam Ellipse binning available, consult factory. 1% 0-10V dimming offered standard.

CONSTRUCTION

Housing/frame constructed of #20 ga. galvanized steel to resist corrosion. Self-flanged one piece trim spun from 0.063" thick high purity aluminum and finished to specification.

CODE COMPLIANCE

BAA Compliant. Non-IC rated. ETL certified to meet US and Canadian standards. Suitable for dry or damp locations. Complies with CUL. Manufactured and tested to UL standards No. 1598/8750.

LUMENS / WATTAGE DATA				
PART NUMBER	SOURCE LUMENS ¹	DELIVERED LUMENS ²	SYSTEM WATTS	LPW
SGE8BX60L MD	6000	4897	44	111
SGE8BX70L MD	7000	5567	51	109
SGE8BX80L MD	8000	6443	60	107

SERIES	LUMENS ¹	CCT	OPTICS	DRIVER / VOLTAGE ³	OPTIONS ⁶	TRIM	FINISH	FLANGE FINISH				
SGE8BX	60L	6000 Lm	80 CRI	ND 24°	DO10_ 1% 0-10V	1 120V	BH27 ⁷	AR8BX	SG ⁸	Semi-Diffuse	WF	White Flange
	70L	7000 Lm	27K 2700K	MD 40°	DS2W1 1% ELV/MLV, 120V	2 277V	H12	SG ⁸	Matte White	MF ¹⁰	Matching Flange	
	80L	8000 Lm	30K 3000K	WD 55°	DLTE1 ⁴ 1% Lutron® 2-Wire Forward Phase, 120V	3 ³ 347V	H06	MB	Matte Black			
			35K 3500K	XW 66°	DL3E ⁴ 1% Lutron® EcoSystem®, Fade		CB24	PT	Platinum Silver			
			40K 4000K	EL10_ 1% eidoLED	FS		CH	Charcoal				
			ED01_ 0.1% eidoLED	EB	AC		Anodic Champagne					
			90 CRI	DALI_ DALI Control	EM	AS	Anodic Sapphire					
			27HK 2700K	DMXS ^{4/5} DMX Standard Configuration	GR	AM	Anodic Malachite					
			30HK 3000K	DMXC ^{4/5} DMX Non-Standard Custom	EM	SN	Sun Gold					
			35HK 3500K	BLU Bluetooth LE	EMRM	CO	Copper Metallic					
		40HK 4000K			GH	Graphite						
					CC ⁹	Custom Color						

EXAMPLE: SGE8BX60L30KMDDO101/BH27/AR8BXSGMF

NOTES:
 1 Nominal Source Lumens 2 Nominal Delivered Lumens at 35K with MD-SG 3 Contact Factory for Additional Options 4 60L Max 5 Contact Factory 6 See Product Options Page for Details 7 Standard Bar Hangers
 8 Standard Finish 9 Contact Factory for Special Finishes 10 Flange Same Color as Inside of Trim



PROJECT: _____
 TYPE: _____



Dimensions and values shown are nominal. Spectrum Lighting continually works to improve products and reserves the right to make changes which may alter the performance or appearance of products.

8" ROUND DOWNLIGHT BX SERIES / PHOTOMETRIC DATA

recessed
fixtures



SGRTV8BX-80L35K-ND-DO101-AR8BX-SGWF

CANDLEPOWER CURVE	INTENSITY	ZONAL LUMENS	SINGLE UNIT: PERFORMANCE INITIAL FOOTCANDLES BASED ON IES BEAM ANGLE	MULTIPLE UNITS: PERFORMANCE 80/50/20% REFLECTANCES INITIAL FOOTCANDLES AND WATTS PER SQUARE FOOT																																																																																		
	0.00°	0° - 10°	1,755	27%	<table border="1"> <thead> <tr> <th rowspan="2">Mounting Height AFF</th> <th rowspan="2">FC at Center on Floor</th> <th rowspan="2">Beam Diameter</th> <th rowspan="2">FC at Beam Edge</th> <th colspan="2">RCR 3</th> <th colspan="2">RCR 5</th> </tr> <tr> <th>FC +</th> <th>W/Sq. Ft.</th> <th>FC +</th> <th>W/Sq. Ft.</th> </tr> </thead> <tbody> <tr> <td>6.0'</td> <td>622 fc</td> <td>2.6'</td> <td>311 fc</td> <td>160</td> <td>1.50</td> <td>146</td> <td>1.50</td> </tr> <tr> <td>8.0'</td> <td>350 fc</td> <td>3.5'</td> <td>175 fc</td> <td>114</td> <td>1.07</td> <td>128</td> <td>1.32</td> </tr> <tr> <td>10.0'</td> <td>224 fc</td> <td>4.3'</td> <td>112 fc</td> <td>68</td> <td>0.64</td> <td>76</td> <td>0.78</td> </tr> <tr> <td>12.0'</td> <td>155 fc</td> <td>5.2'</td> <td>78 fc</td> <td colspan="2">Delivered Illuminance Rating: (DIR) 107 FC per W/Sq. Ft.</td> <td colspan="2">97 FC per W/Sq. Ft.</td> </tr> <tr> <td>14.0'</td> <td>114 fc</td> <td>6.0'</td> <td>57 fc</td> <td colspan="4">2' Suspension Length Square rooms used for multiple units: - RCR 3: Length & Width = Ceiling Ht. - 4.5' x 3.33 - RCR 5: Length & Width = Ceiling Ht. - 4.5' x 2.00 + Average Footcandles at 2.5' Above Floor * Exceeds spacing criteria by 54% ** Exceeds spacing criteria by 45% *** Exceeds spacing criteria by 39%</td> </tr> <tr> <td>16.0'</td> <td>87 fc</td> <td>6.9'</td> <td>44 fc</td> <td colspan="4"></td> </tr> <tr> <td>20.0'</td> <td>56 fc</td> <td>8.6'</td> <td>28 fc</td> <td colspan="4"></td> </tr> <tr> <td>24.0'</td> <td>39 fc</td> <td>10.4'</td> <td>19 fc</td> <td colspan="4"></td> </tr> </tbody> </table>	Mounting Height AFF	FC at Center on Floor	Beam Diameter	FC at Beam Edge	RCR 3		RCR 5		FC +	W/Sq. Ft.	FC +	W/Sq. Ft.	6.0'	622 fc	2.6'	311 fc	160	1.50	146	1.50	8.0'	350 fc	3.5'	175 fc	114	1.07	128	1.32	10.0'	224 fc	4.3'	112 fc	68	0.64	76	0.78	12.0'	155 fc	5.2'	78 fc	Delivered Illuminance Rating: (DIR) 107 FC per W/Sq. Ft.		97 FC per W/Sq. Ft.		14.0'	114 fc	6.0'	57 fc	2' Suspension Length Square rooms used for multiple units: - RCR 3: Length & Width = Ceiling Ht. - 4.5' x 3.33 - RCR 5: Length & Width = Ceiling Ht. - 4.5' x 2.00 + Average Footcandles at 2.5' Above Floor * Exceeds spacing criteria by 54% ** Exceeds spacing criteria by 45% *** Exceeds spacing criteria by 39%				16.0'	87 fc	6.9'	44 fc					20.0'	56 fc	8.6'	28 fc					24.0'	39 fc	10.4'	19 fc					0.00°	0° - 10°	1,755	27%	<p>Delivered Lumens: 6,416 Luminaire Watts: 60 LER: 106.93</p> <p>CP at 0deg (Nadir): 22,382 CRI: 80</p> <p>Beam Angle: 24.43 Spacing Ratio: 0.41</p> <p>Lamp Multiplier: 60L x 0.76, 70L x 0.86 CCT Multiplier: CCT Output: 27K x 0.932, 30K x 1.00, 40K x 1.01</p>
	Mounting Height AFF	FC at Center on Floor	Beam Diameter	FC at Beam Edge						RCR 3		RCR 5																																																																										
						FC +	W/Sq. Ft.	FC +	W/Sq. Ft.																																																																													
	6.0'	622 fc	2.6'	311 fc		160	1.50	146	1.50																																																																													
	8.0'	350 fc	3.5'	175 fc		114	1.07	128	1.32																																																																													
	10.0'	224 fc	4.3'	112 fc		68	0.64	76	0.78																																																																													
	12.0'	155 fc	5.2'	78 fc		Delivered Illuminance Rating: (DIR) 107 FC per W/Sq. Ft.		97 FC per W/Sq. Ft.																																																																														
	14.0'	114 fc	6.0'	57 fc		2' Suspension Length Square rooms used for multiple units: - RCR 3: Length & Width = Ceiling Ht. - 4.5' x 3.33 - RCR 5: Length & Width = Ceiling Ht. - 4.5' x 2.00 + Average Footcandles at 2.5' Above Floor * Exceeds spacing criteria by 54% ** Exceeds spacing criteria by 45% *** Exceeds spacing criteria by 39%																																																																																
	16.0'	87 fc	6.9'	44 fc																																																																																		
	20.0'	56 fc	8.6'	28 fc																																																																																		
	24.0'	39 fc	10.4'	19 fc																																																																																		
	0.00°	0° - 20°	4,008	62%																																																																																		
	5.00°	0° - 30°	5,630	88%																																																																																		
10.00°	0° - 40°	6,384	99%																																																																																			
15.00°	0° - 60°	6,413	100%																																																																																			
20.00°	0° - 80°	6,415	100%																																																																																			
30.00°	0° - 90°	6,416	100%																																																																																			
40.00°	Total	6,416	100%																																																																																			
4928																																																																																						
2,484																																																																																						
171																																																																																						
1																																																																																						
1																																																																																						
1																																																																																						
1																																																																																						
0																																																																																						

SGE8BX-80L35K-MD-DO101-AR8BX-SGWF

CANDLEPOWER CURVE	INTENSITY	ZONAL LUMENS	SINGLE UNIT: PERFORMANCE INITIAL FOOTCANDLES BASED ON IES BEAM ANGLE	MULTIPLE UNITS: PERFORMANCE 80/50/20% REFLECTANCES INITIAL FOOTCANDLES AND WATTS PER SQUARE FOOT																																																																																		
	0.00°	0° - 10°	1,184	18%	<table border="1"> <thead> <tr> <th rowspan="2">Mounting Height AFF</th> <th rowspan="2">FC at Center on Floor</th> <th rowspan="2">Beam Diameter</th> <th rowspan="2">FC at Beam Edge</th> <th colspan="2">RCR 3</th> <th colspan="2">RCR 5</th> </tr> <tr> <th>FC +</th> <th>W/Sq. Ft.</th> <th>FC +</th> <th>W/Sq. Ft.</th> </tr> </thead> <tbody> <tr> <td>6.0'</td> <td>364 fc</td> <td>4.6'</td> <td>182 fc</td> <td>101</td> <td>0.96</td> <td>64</td> <td>0.66</td> </tr> <tr> <td>8.0'</td> <td>205 fc</td> <td>6.1'</td> <td>102 fc</td> <td>78</td> <td>0.74</td> <td>71</td> <td>0.74</td> </tr> <tr> <td>10.0'</td> <td>131 fc</td> <td>7.6'</td> <td>66 fc</td> <td>47</td> <td>0.44</td> <td>42</td> <td>0.44</td> </tr> <tr> <td>12.0'</td> <td>91 fc</td> <td>9.2'</td> <td>45 fc</td> <td colspan="2">Delivered Illuminance Rating: (DIR) 106 FC per W/Sq. Ft.</td> <td colspan="2">96 FC per W/Sq. Ft.</td> </tr> <tr> <td>14.0'</td> <td>67 fc</td> <td>10.7'</td> <td>33 fc</td> <td colspan="4">2' Suspension Length Square rooms used for multiple units: - RCR 3: Length & Width = Ceiling Ht. - 4.5' x 3.33 - RCR 5: Length & Width = Ceiling Ht. - 4.5' x 2.00 + Average Footcandles at 2.5' Above Floor * Exceeds spacing criteria by 26% ** Exceeds spacing criteria by 11% *** Exceeds spacing criteria by 2%</td> </tr> <tr> <td>16.0'</td> <td>51 fc</td> <td>12.2'</td> <td>26 fc</td> <td colspan="4"></td> </tr> <tr> <td>20.0'</td> <td>33 fc</td> <td>15.3'</td> <td>16 fc</td> <td colspan="4"></td> </tr> <tr> <td>24.0'</td> <td>23 fc</td> <td>18.3'</td> <td>11 fc</td> <td colspan="4"></td> </tr> </tbody> </table>	Mounting Height AFF	FC at Center on Floor	Beam Diameter	FC at Beam Edge	RCR 3		RCR 5		FC +	W/Sq. Ft.	FC +	W/Sq. Ft.	6.0'	364 fc	4.6'	182 fc	101	0.96	64	0.66	8.0'	205 fc	6.1'	102 fc	78	0.74	71	0.74	10.0'	131 fc	7.6'	66 fc	47	0.44	42	0.44	12.0'	91 fc	9.2'	45 fc	Delivered Illuminance Rating: (DIR) 106 FC per W/Sq. Ft.		96 FC per W/Sq. Ft.		14.0'	67 fc	10.7'	33 fc	2' Suspension Length Square rooms used for multiple units: - RCR 3: Length & Width = Ceiling Ht. - 4.5' x 3.33 - RCR 5: Length & Width = Ceiling Ht. - 4.5' x 2.00 + Average Footcandles at 2.5' Above Floor * Exceeds spacing criteria by 26% ** Exceeds spacing criteria by 11% *** Exceeds spacing criteria by 2%				16.0'	51 fc	12.2'	26 fc					20.0'	33 fc	15.3'	16 fc					24.0'	23 fc	18.3'	11 fc					0.00°	0° - 10°	1,184	18%	<p>Delivered Lumens: 6,425 Luminaire Watts: 60 LER: 107.08</p> <p>CP at 0deg (Nadir): 13,117 CRI: 80</p> <p>Beam Angle: 40.97 Spacing Ratio: 0.67</p> <p>Lamp Multiplier: 60L x 0.76, 70L x 0.86 CCT Multiplier: CCT Output: 27K x 0.932, 30K x 1.00, 40K x 1.01</p>
	Mounting Height AFF	FC at Center on Floor	Beam Diameter	FC at Beam Edge						RCR 3		RCR 5																																																																										
						FC +	W/Sq. Ft.	FC +	W/Sq. Ft.																																																																													
	6.0'	364 fc	4.6'	182 fc		101	0.96	64	0.66																																																																													
	8.0'	205 fc	6.1'	102 fc		78	0.74	71	0.74																																																																													
	10.0'	131 fc	7.6'	66 fc		47	0.44	42	0.44																																																																													
	12.0'	91 fc	9.2'	45 fc		Delivered Illuminance Rating: (DIR) 106 FC per W/Sq. Ft.		96 FC per W/Sq. Ft.																																																																														
	14.0'	67 fc	10.7'	33 fc		2' Suspension Length Square rooms used for multiple units: - RCR 3: Length & Width = Ceiling Ht. - 4.5' x 3.33 - RCR 5: Length & Width = Ceiling Ht. - 4.5' x 2.00 + Average Footcandles at 2.5' Above Floor * Exceeds spacing criteria by 26% ** Exceeds spacing criteria by 11% *** Exceeds spacing criteria by 2%																																																																																
	16.0'	51 fc	12.2'	26 fc																																																																																		
	20.0'	33 fc	15.3'	16 fc																																																																																		
	24.0'	23 fc	18.3'	11 fc																																																																																		
	0.00°	0° - 20°	3,687	57%																																																																																		
	5.00°	0° - 30°	5,730	89%																																																																																		
10.00°	0° - 40°	6,403	100%																																																																																			
15.00°	0° - 60°	6,421	100%																																																																																			
20.00°	0° - 80°	6,424	100%																																																																																			
30.00°	0° - 90°	6,425	100%																																																																																			
40.00°	Total	6,425	100%																																																																																			
176																																																																																						
3																																																																																						
1																																																																																						
1																																																																																						
1																																																																																						
1																																																																																						

SGE8BX-80L35K-WD-DO101-AR8BX-SGWF

CANDLEPOWER CURVE	INTENSITY	ZONAL LUMENS	SINGLE UNIT: PERFORMANCE INITIAL FOOTCANDLES BASED ON IES BEAM ANGLE	MULTIPLE UNITS: PERFORMANCE 80/50/20% REFLECTANCES INITIAL FOOTCANDLES AND WATTS PER SQUARE FOOT																																																																																		
	0.00°	0° - 10°	723	11%	<table border="1"> <thead> <tr> <th rowspan="2">Mounting Height AFF</th> <th rowspan="2">FC at Center on Floor</th> <th rowspan="2">Beam Diameter</th> <th rowspan="2">FC at Beam Edge</th> <th colspan="2">RCR 2</th> <th colspan="2">RCR 4</th> </tr> <tr> <th>FC +</th> <th>W/Sq. Ft.</th> <th>FC +</th> <th>W/Sq. Ft.</th> </tr> </thead> <tbody> <tr> <td>6.0'</td> <td>216 fc</td> <td>7.2'</td> <td>107 fc</td> <td>73</td> <td>0.66</td> <td>41</td> <td>0.43</td> </tr> <tr> <td>8.0'</td> <td>122 fc</td> <td>9.6'</td> <td>60 fc</td> <td>52</td> <td>0.47</td> <td>46</td> <td>0.47</td> </tr> <tr> <td>10.0'</td> <td>78 fc</td> <td>12.0'</td> <td>38 fc</td> <td>31</td> <td>0.28</td> <td>27</td> <td>0.28</td> </tr> <tr> <td>12.0'</td> <td>54 fc</td> <td>14.3'</td> <td>27 fc</td> <td colspan="2">Delivered Illuminance Rating: (DIR) 109 FC per W/Sq. Ft.</td> <td colspan="2">97 FC per W/Sq. Ft.</td> </tr> <tr> <td>14.0'</td> <td>40 fc</td> <td>16.7'</td> <td>20 fc</td> <td colspan="4">2' Suspension Length Square rooms used for multiple units: - RCR 2: Length & Width = Ceiling Ht. - 4.5' x 5.00 - RCR 4: Length & Width = Ceiling Ht. - 4.5' x 2.50 + Average Footcandles at 2.5' Above Floor * Exceeds spacing criteria by 11% ** Exceeds spacing criteria by -6% *** Exceeds spacing criteria by -16%</td> </tr> <tr> <td>16.0'</td> <td>30 fc</td> <td>19.1'</td> <td>15 fc</td> <td colspan="4"></td> </tr> <tr> <td>20.0'</td> <td>19 fc</td> <td>23.9'</td> <td>10 fc</td> <td colspan="4"></td> </tr> <tr> <td>24.0'</td> <td>14 fc</td> <td>28.7'</td> <td>7 fc</td> <td colspan="4"></td> </tr> </tbody> </table>	Mounting Height AFF	FC at Center on Floor	Beam Diameter	FC at Beam Edge	RCR 2		RCR 4		FC +	W/Sq. Ft.	FC +	W/Sq. Ft.	6.0'	216 fc	7.2'	107 fc	73	0.66	41	0.43	8.0'	122 fc	9.6'	60 fc	52	0.47	46	0.47	10.0'	78 fc	12.0'	38 fc	31	0.28	27	0.28	12.0'	54 fc	14.3'	27 fc	Delivered Illuminance Rating: (DIR) 109 FC per W/Sq. Ft.		97 FC per W/Sq. Ft.		14.0'	40 fc	16.7'	20 fc	2' Suspension Length Square rooms used for multiple units: - RCR 2: Length & Width = Ceiling Ht. - 4.5' x 5.00 - RCR 4: Length & Width = Ceiling Ht. - 4.5' x 2.50 + Average Footcandles at 2.5' Above Floor * Exceeds spacing criteria by 11% ** Exceeds spacing criteria by -6% *** Exceeds spacing criteria by -16%				16.0'	30 fc	19.1'	15 fc					20.0'	19 fc	23.9'	10 fc					24.0'	14 fc	28.7'	7 fc					0.00°	0° - 10°	723	11%	<p>Delivered Lumens: 6,415 Luminaire Watts: 60 LER: 106.92</p> <p>CP at 0deg (Nadir): 7,788 CRI: 80</p> <p>Beam Angle: 60.48 Spacing Ratio: 0.95</p> <p>Lamp Multiplier: 60L x 0.76, 70L x 0.86 CCT Multiplier: CCT Output: 27K x 0.932, 30K x 1.00, 40K x 1.01</p>
	Mounting Height AFF	FC at Center on Floor	Beam Diameter	FC at Beam Edge						RCR 2		RCR 4																																																																										
						FC +	W/Sq. Ft.	FC +	W/Sq. Ft.																																																																													
	6.0'	216 fc	7.2'	107 fc		73	0.66	41	0.43																																																																													
	8.0'	122 fc	9.6'	60 fc		52	0.47	46	0.47																																																																													
	10.0'	78 fc	12.0'	38 fc		31	0.28	27	0.28																																																																													
	12.0'	54 fc	14.3'	27 fc		Delivered Illuminance Rating: (DIR) 109 FC per W/Sq. Ft.		97 FC per W/Sq. Ft.																																																																														
	14.0'	40 fc	16.7'	20 fc		2' Suspension Length Square rooms used for multiple units: - RCR 2: Length & Width = Ceiling Ht. - 4.5' x 5.00 - RCR 4: Length & Width = Ceiling Ht. - 4.5' x 2.50 + Average Footcandles at 2.5' Above Floor * Exceeds spacing criteria by 11% ** Exceeds spacing criteria by -6% *** Exceeds spacing criteria by -16%																																																																																
	16.0'	30 fc	19.1'	15 fc																																																																																		
	20.0'	19 fc	23.9'	10 fc																																																																																		
	24.0'	14 fc	28.7'	7 fc																																																																																		
	0.00°	0° - 20°	2,575	40%																																																																																		
	5.00°	0° - 30°	4,951	77%																																																																																		
10.00°	0° - 40°	6,245	97%																																																																																			
15.00°	0° - 60°	6,413	100%																																																																																			
20.00°	0° - 80°	6,415	100%																																																																																			
30.00°	0° - 90°	6,415	100%																																																																																			
40.00°	Total	6,415	100%																																																																																			
6,070																																																																																						
4,168																																																																																						
612																																																																																						
35																																																																																						
1																																																																																						
1																																																																																						
1																																																																																						

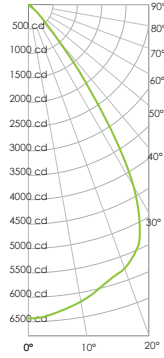
8" ROUND DOWNLIGHT BX SERIES / PHOTOMETRIC DATA

recessed
fixtures



SGE8BX-80L-35K-XW-DO101-AR8BX-SGWF

CANDLEPOWER CURVE



Delivered Lumens: **6,398**
Luminaire Watts: **60**
LER: **106.63**

INTENSITY

Beam Angle	Intensity (cd)
0.00°	6,430
5.00°	6,343
10.00°	6,181
15.00°	5,943
20.00°	5,755
30.00°	4,306
40.00°	923
50.00°	124
60.00°	2
70.00°	1
80.00°	1
90.00°	1

CP at 0deg (Nadir): **6,430**
CRI: **80**

ZONAL LUMENS

Beam Angle Range	Zonal Lumens	% of Total
0° - 10°	608	10%
0° - 20°	2,277	36%
0° - 30°	4,632	72%
0° - 40°	6,072	95%
0° - 60°	6,395	100%
0° - 80°	6,397	100%
0° - 90°	6,398	100%
Total	6,398	100%

SINGLE UNIT: PERFORMANCE INITIAL FOOTCANDLES BASED ON IES BEAM ANGLE

Mounting Height AFF	FC at Center on Floor	Beam Diameter	FC at Beam Edge
6.0'	179 fc	7.8'	88 fc
8.0'	100 fc	10.4'	49 fc
10.0'	64 fc	13.0'	32 fc
12.0'	45 fc	15.6'	22 fc
14.0'	33 fc	18.2'	16 fc
16.0'	25 fc	20.8'	12 fc
20.0'	16 fc	26.0'	8 fc
24.0'	11 fc	31.2'	5 fc

Beam Angle: **65.24**
Spacing Ratio: **1.07**

MULTIPLE UNITS: PERFORMANCE 80/50/20% REFLECTANCES INITIAL FOOTCANDLES AND WATTS PER SQUARE FOOT

Ceiling Height	Fixture Spacing	RCR 2		RCR 4	
		FC *	W/Sq. Ft.	FC *	W/Sq. Ft.
14'	12' *	46	0.43	40	0.43
18'	14' **	36	0.33	20	0.21
22'	16' ***	21	0.20	27	0.28
Delivered Illuminance Rating: (DIR)		109 FC per W/Sq. Ft.		95 FC per W/Sq. Ft.	
2' Suspension Length Square rooms used for multiple units: - RCR 2: Length & Width = Ceiling Ht. - 4.5' x 5.00 - RCR 4: Length & Width = Ceiling Ht. - 4.5' x 2.50 * Average Footcandles at 2.5' Above Floor * Exceeds spacing criteria by 18% ** Exceeds spacing criteria by -3% *** Exceeds spacing criteria by -15%					

Lamp Multiplier: 60L x 0.76, 70L x 0.864
CCT Multiplier: 27K x 0.932, 30K x 1.00, 40K x 1.01