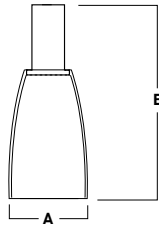




7" GLASS PENDANT INCANDESCENT ICON



A	B
6.0	14.5
152.4 mm	368.3 mm

PROJECT: _____
 QUANTITY: _____ TYPE: _____

DP7FGINC

APPLICATION

The Icon Pendant series features curved molded glass shade for decorative area lighting. INC Series is designed for indoor damp locations.

FEATURES

Speculume series fixtures offer contemporary style with functional luminaire performance. Icon pendants are available in 7" and 12" sizes. Decorative elements are available on some models. Separate finishes may be chosen for fixture and mounting. A variety of mounting and finish options available.

FINISH

Multi-stage polyester powder-coat process applied on our dedicated paint lines. A wide variety of standard and custom finishes are available. All exposed materials are chromate pretreated to resist corrosion.

ELECTRONICS

E26 Edison medium base 120V socket for incandescent or LED lamps.

CONSTRUCTION

Fixtures are spun in our factory from 0.063 high purity aluminum. Shade is heavy wall molded cased glass with white opal inner layer and Custom outer layer.

CODE COMPLIANCE

BAA compliant. ETL certified to meet US and Canadian standards. Suitable for dry or damp locations. Manufactured and tested to UL standards No. 1598/8750



FG7FR FG7SB FG7AO

SERIES	MOUNTING/OPTIONS ¹	FINISH ²	GLASS OPTIONS
DP7FGINC	CD ² Cord and Cable Mount HM ² Hang Straight Pendant AT ² Hang Straight All Thread PM ² Pendant/Straight Mount FS Fuse Holder and Fuse	MW ⁴ Matte White MB ⁴ Matte Black PT ⁴ Platinum Silver CC Custom Color	FG7WH White/Cased Frosted Glass FG7AO Amber/Orange Cased Glass FG7SB Sapphire Blue Cased Glass FG7FR Fire Red Cased Glass FG7⁵ Clear Glass Available on Special Request FF Full Frost For Frosted In/Out of Glass

EXAMPLE: DP7FGINC/CD36MW/FG7WH

NOTES:
 1 See Mounting Pages Options and Details on Components and Finishes 2 Specify Length in Inches: See Mounting Page for Available Lengths
 3 Reference Color Sheet Located on Product Webpage for Full List of Available Colors/Consult Factory for Special Finishes 4 Standard Finish 5 *7x10 Pendant Reflector

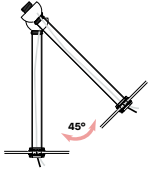
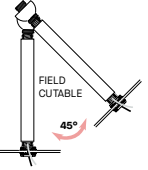


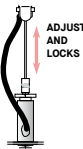


MOUNTING & ACCESSORIES

SOME OPTIONS NOT AVAILABLE ON ALL FIXTURES. CONSULT SPECIFICATION SHEETS. SEE INDIVIDUAL SPECIFICATION SHEETS OR CONSULT FACTORY FOR ADDITIONAL INFORMATION.
NOTE: THIS IS TYPICAL OF SPECLUME SPECIFICATION FOR PENDANT MOUNTING. INDIVIDUAL FIXTURES OR PROJECTS MAY HAVE SPECIALIZED REQUIREMENTS.



CEILING MOUNTING

<p>HM* HANG STRAIGHT 45° SWIVEL 1/2" STEM - 3/8" NPT</p>  <p>ORDER: HM (Length) SPECIFY LENGTH: HM3 - 3" HM24 - 24" HM6 - 6" HM36 - 36" HM12 - 12" HM48 - 48" HM18 - 18" HM72 - 72" HMLC(XX) Custom Length (Specify in inches)</p>	<p>AT** HANG STRAIGHT ALL THREAD 45° SWIVEL 5/8" OD STEM - 1/4" IP</p>  <p>ORDER: AT (Length) SPECIFY LENGTH: AT12 - 12" AT48 - 48" AT24 - 24" AT60 - 60" AT36 - 36" AT72 - 72"</p> <p><small>FIELD CUT THREADED PIPE FIELD LENGTH NEEDED CUT PIPE COVER - 1/4" SHORTER THAN THREADED PIPE SLIP PIPE COVER OVER THREADED PIPE</small></p> 	<p>PM* RIGID PENDANT MOUNT RIGID 1/2" STEM - 3/8" NPT</p>  <p>ORDER: PM (Length) SPECIFY LENGTH: PM3 - 3" PM24 - 24" PM6 - 6" PM36 - 36" PM12 - 12" PM48 - 48" PM18 - 18" PM72 - 72" PMLLC(XX) Custom Length (Specify in inches)</p>	<p>CD CORD / CABLE MOUNT SJ CORD WITH 1/16 SS CABLE</p>  <p>ORDER: CD (Length) SPECIFY LENGTH: CD36 - 36" CD72 - 72" CD144 - 144" CDLC(XX) Custom Length (Specify in inches)</p>
--	---	--	---

*MAXIMUM ONE PIECE STEM LENGTH IS 72". **MAXIMUM ONE PIECE STEM LENGTH IS 36". LONGER LENGTHS ARE POSSIBLE USING MULTIPLE STEMS AND COUPLERS.
**ORDER IN 12" INCREMENTS, ODD SIZES MAY BE FIELD CUT

