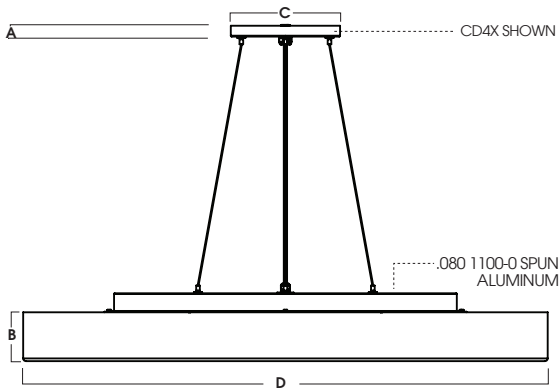




# 48" LIGHT DISC PENDANT

## LX SERIES / 15000 LUMENS



A	B	C	D
1.0 25.4 mm	4.5 114.3 mm	10.0 254.0 mm	48.0 914.4 mm

PROJECT: \_\_\_\_\_  
 QUANTITY: \_\_\_\_\_ TYPE: \_\_\_\_\_

### LD4805LEDLX

#### APPLICATION

The Light Disc series for decorative and functional area lighting.

#### FEATURES

Speculume series fixtures offer contemporary style with functional luminaire performance. Fixtures are designed and manufactured in our factory. No visible hardware on the fixture body. Acrylic lenses available as convex or flat. LED boards are upgradeable and interchangeable for ease of maintenance. A variety of mounting options are available.

#### FINISH

Multi-stage polyester powder-coat process applied on our dedicated paint lines. See mounting and color pages for standard finishes.

#### ELECTRONICS

LED module features high brightness white Samsung LEDs. 3-step MacAdam Ellipse binning and CRI 80 minimum. Variety of electronic 120V/277V and dimming drivers.

#### CONSTRUCTION

Fixtures are spun in our factory from .080 high purity aluminum. Lenses are formed and fabricated U.V. stabilized optical quality acrylic.

#### CODE COMPLIANCE

BAA Compliant. ETL listed for damp locations. Manufactured and tested to UL standards No. 1598/8750.

WATTAGE / LUMENS DATA		
PART NUMBER	SOURCE LUMENS <sup>1</sup>	SYSTEM WATTS
LD4805LEDLX49L	4900	40
LD4805LEDLX98L	9800	80
LD4805LEDLX150L	15000	122

SERIES	LUMENS <sup>1</sup>	CCT	DRIVER / DIMMING <sup>2</sup>	OPTIONS <sup>3</sup>	MOUNTING <sup>4</sup>	FINISH	LENS
LD4805LEDLX	49L 4900 Lm	30K 3000K	EX Electronic Driver, 120V/277V	ZIG ZigBee Interface Module BLU BlueTooth Module	CD4X <sup>6</sup> 4X Cable Mounting PM4X <sup>6</sup> 4X Pendant Mount SM Surface Mount	MW <sup>6</sup> Matte White	OA <sup>8</sup> Flat Opal Acrylic
	98L 9800 Lm	35K 3500K	DS10X 10% 0-10V Dimming, 120V/277V			MB <sup>6</sup> Matte Black	FO90 Flat Matte White Acrylic Lens White
	150L 15000 Lm	40K 4000K	DO10X 1% 0-10V Dimming to, 120V/277V			PT <sup>6</sup> Platinum	DA Domed Acrylic
					EMERGENCY BATTERY OPTIONS		
					EMLED Integral Emergency Battery	OB Oil Rubbed Bronze	
						CH Charcoal	
						GH Graphite	
						AC Champagne	
						SN Sun Gold	
						BR Brecchia Rust	
						AN Anodic Natural	
						CO Copper Metallic	
						CC <sup>7</sup> Custom Color	

EXAMPLE: LD4805LEDLX150L30KEX/CD4X36MWFO

**NOTES:**

1 Normal Source Lumens at 3500K 2 Contact Factory for Additional Options 3 See Product Options Page For Details 4 See Cylinder Mounting Page for Details  
 5 Specify Length in Inches 6 Contact Factory for Special Finishes 7 Standard Finishes 8 Standard Lens





# 48" LIGHT DISC PENDANT

## LX SERIES / MOUNTING OPTIONS

### STANDARD FINISHES

**MW**  
Matte White



**MB**  
Matte Black

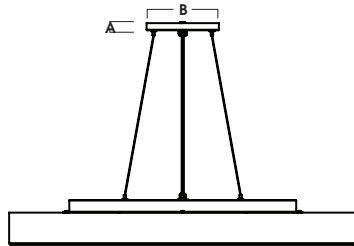


**PT**  
Platinum



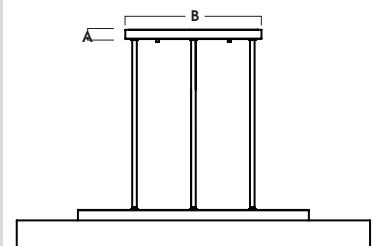
### MOUNTING TYPES

**CD4X**  
4X CABLE MOUNT



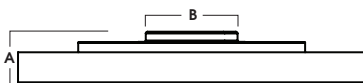
A	B
1.0	10.0
25.4 mm	254.0 mm

**PM4X**  
4X PENDANT MOUNT



A	B
1.3	18.0
33.0 mm	457.2 mm

**SM**  
SURFACE MOUNT



A	B
7.4	12.7
187.9 mm	322.6 mm



# COLOR OPTIONS - POWDER COAT PAINT FINISHES

NOTE: NO PRINTED IMAGE CAN EQUAL THE EXACT COLOR OF FINISH ON METAL.  
SEE INDIVIDUAL SPECIFICATION SHEETS OR CONSULT FACTORY FOR ADDITIONAL INFORMATION.



## STANDARD CORD / STEM / CANOPY FINISHES

FIXTURE COLOR	STANDARD CORD COLOR	STANDARD CANOPY / STEM COLOR
Matte White, Textured White	Matte White	Matte White
Gloss White	Matte White	Gloss White
Matte Black, Gloss Black, Textured Black	Matte Black	Matte Black
All Others	Matte Black	Same Color as Fixture
Custom Color	Contact Factory	Contact Factory

## PAINT TIMES

TIER	COST	AVERAGE PAINT TIME*
Tier 1 - Standard Finishes	\$	⓪
Tier 2 - Typical Finishes	\$\$	⓪⓪
Tier 3 - Special Metal Finishes	\$\$\$	⓪⓪⓪
Custom Color	Contact Factory	Contact Factory

\*CONTACT FACTORY FOR SPECIFIC PRODUCT LEAD TIMES

## TIER 1 - STANDARD FINISHES



## TIER 2 - TYPICAL FINISHES



## TIER 3 - SPECIAL METAL FINISHES



## CUSTOM COLOR FINISHES

CONTACT FACTORY

**CC**  
Custom Color



\*UNAVAILABLE FOR WET LOCATION

\*\*UNAVAILABLE FOR INTERIOR

