



2.5" ROUND PICO SERIES



CO205XT - CEILING MOUNT

APPLICATION

2.5" round mini cylinder for accent, display and general illumination.

FEATURES

Spectrum's Cylinder series provides traditional architectural style with high performance and energy efficient illumination. Rugged design with flexible mounting, finish and LED options make these extremely versatile fixtures. Quick change LED module with interchangeable optics for job site flexibility and fixture upgrade. Interchangeable optics for job site flexibility and fixture upgrade.

FINISH

Multi-stage polyester powder-coat process applied on our dedicated paint lines. See mounting and color pages for standard finishes. All exposed materials are chromate pretreated to resist corrosion.

ELECTRONICS

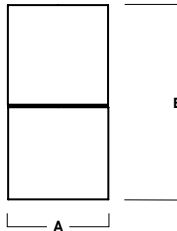
LED system features Xicato LED module with proprietary phosphor technology that provides consistent stable color with CCT control of +/- 100K over life of the light engine. Base CRI is 83 with 2-step MacAdam Ellipse binning. High CRI is 98 with 1 x 2-step MacAdam Ellipse binning. Multivolt input (120/277), 0-10V dimming and bluetooth low energy options.

CONSTRUCTION

Fixture is fabricated from machined aluminum.

CODE COMPLIANCE

BAA compliant. ETL certified to meet US and Canadian standards. Suitable for dry or damp locations. Manufactured and tested to UL standards No. 1598/8750.



| A | B |
|----------------|-----------------|
| 2.5 63.5 mm | 4.8 121.9 mm |

| LUMENS / WATTAGE DATA | | | | |
|-----------------------|----------------------------|-------------------------------|---------------------------|-----|
| PART NUMBER | SOURCE LUMENS ¹ | DELIVERED LUMENS ² | SYSTEM WATTS ³ | LPW |
| CO205XT7L | 700 | 519 | 6.2 | 84 |
| CO205XT10L | 1000 | 695 | 9.1 | 76 |
| CO205XT13L | 1300 | 936 | 13.0 | 72 |

| SERIES | LUMENS ¹ | CCT | OPTICS | DRIVER / DIMMING ⁶ | LENS | MOUNTING ¹⁰ | CORD COLOR ¹⁶ | FINISH ¹⁸ | | |
|---------|---------------------|---------|--|---|--|---|---|--|------------------|---|
| CO205XT | 7L ⁴ | 700 Lm | 83 CRI | XN ⁵ 15° | EX Electronic Driver, 120V/277V DX 1%, 0-10V, 120V/277V BLU 48V Bluetooth Control DMXS ⁷ DMX Standard Configuration DMXC ⁷ DMX Non-Standard Custom | NL No Lens GL ⁸ Clear Glass Lens SO ⁹ Micro Prism Solite™ Lens HL Hex Louver | RDC5 ¹¹ Round Driver Canopy CGD ¹² DMX Large Driver Canopy | WC White BC Black SC Silver TC Teal NC Wine KC Beige QC Turquoise RC Red YC Yellow BTC Black/Brown BWC Black/White OC Burnt Orange GC Green CC ¹⁷ Custom Color | | |
| | 10L | 1000 Lm | 27K 2700K 30K 3000K 35K 3500K 40K 4000K | | | | | | MD 35° WD 48° | HM ¹³ Hang Straight AT ¹³ Hang Straight All Thread PM ¹³ Rigid Pendant Mount CD ¹³ Cord / Cable Mount CM ¹³ Cord Mount SWV ^{13/14} Swivel Pendant MONO ¹⁵ Mono Point 45° Tilt WM Wall Mount |
| | 13L | 1300 Lm | 98 CRI 27HK 2700K 30HK 3000K 35HK 3500K 40HK 4000K | See Page 5 for Full Range of Color Options (83-90095) | | | | | | |

EXAMPLE: CO205XT13L35KNDEX/RDC5HM36/MW

NOTES:

1 Nominal Source Lumens at Any CCT 2 Nominal Delivered Lumens at 83 CRI at Any CCT with MD-SO 3 At 83 CRI 4 7L not Available with XN 5 XN not Available with 98 CRI Option 6 Contact Factory for Additional Options 7 Contact Factory 8 Standard Lens for XN 9 Standard Lens for MD, WD 10 See Mounting Page for Details on Components and Finishes 11 Required 12 CGD Replaces RDC5 13 Specify Length in Inches: See Mounting Page for Available Lengths 14 Available with PM Mounting Only 15 Requires RDC5 16 Available with CM/CD Mounting Only 120° Max 17 Contact Factory 18 See Color Page for More Options/Consult Factory for Special Finishes 19 Standard Finishes



PROJECT: _____
TYPE: _____



Dimensions and values shown are nominal. Spectrum Lighting continually works to improve products and reserves the right to make changes which may alter the performance or appearance of products.

2.5" ROUND

PICO SERIES / FIXTURE OPTIONS



STANDARD FINISHES

MW
MATTE WHITE



MB
MATTE BLACK

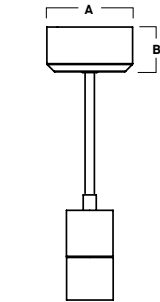


PT
PLATINUM SILVER



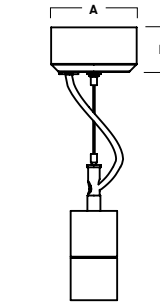
MOUNTING TYPES

HM / PM / AT
HANG STRAIGHT / PENDANT / ALL THREAD



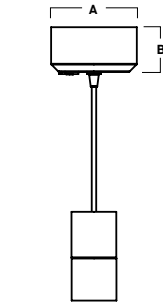
| A | B |
|----------|---------|
| 5.3 | 2.5 |
| 134.6 mm | 63.5 mm |

CD
CORD / CABLE MOUNT



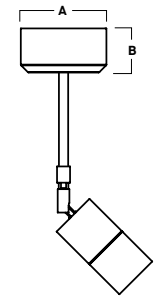
| A | B |
|----------|---------|
| 5.3 | 2.5 |
| 134.6 mm | 63.5 mm |

CM
CORD MOUNT



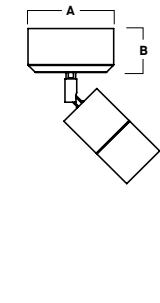
| A | B |
|----------|---------|
| 5.3 | 2.5 |
| 134.6 mm | 63.5 mm |

SWV
SWIVEL PENDANT



| A | B |
|----------|---------|
| 5.3 | 2.5 |
| 134.6 mm | 63.5 mm |

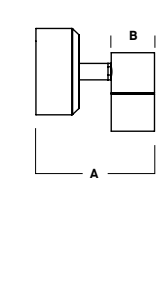
MONO
MONO POINT 45° TILT



| A | B |
|----------|---------|
| 5.3 | 2.5 |
| 134.6 mm | 63.5 mm |

May be Wall or Ceiling Mounted

WM
WALL MOUNT



| A | B | C |
|----------|---------|----------|
| 6.9 | 2.3 | 4.6 |
| 175.3 mm | 58.4 mm | 116.8 mm |

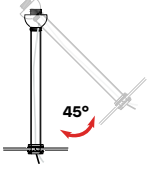
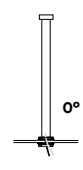
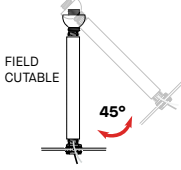
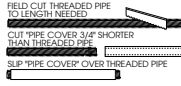
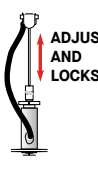

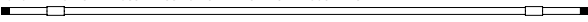


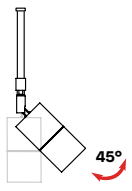
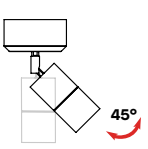
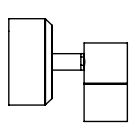
STANDARD MOUNTING & ACCESSORIES

SOME OPTIONS NOT AVAILABLE ON ALL FIXTURES. CONSULT SPECIFICATION SHEETS. SEE INDIVIDUAL SPECIFICATION SHEETS OR CONSULT FACTORY FOR ADDITIONAL INFORMATION.
NOTE: THIS IS TYPICAL OF CYLINDERS SPECIFICATION FOR PENDANT MOUNTING. INDIVIDUAL FIXTURES OR PROJECTS MAY HAVE SPECIALIZED REQUIREMENTS.



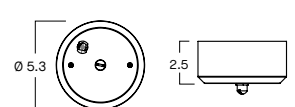
MOUNTING TYPES

| | | | | |
|--|---|--|--|--|
| <p>HM* HANG STRAIGHT 45° SWIVEL 5/8" OD STEM - 3/8" IP</p>  <p>ORDER: HM (Length) SPECIFY LENGTH: HM3 - 3" HM24 - 24" HM6 - 6" HM36 - 36" HM12 - 12" HM48 - 48" HM18 - 18" HM72 - 72" HMLC(XX) Custom Length (Specify in Inches)</p> | <p>PM* RIGID PENDANT MOUNT RIGID 5/8" OD STEM - 3/8" IP</p>  <p>ORDER: PM (Length) SPECIFY LENGTH: PM3 - 3" PM24 - 24" PM6 - 6" PM36 - 36" PM12 - 12" PM48 - 48" PM18 - 18" PM72 - 72" PMLC(XX) Custom Length (Specify in Inches)</p> | <p>AT** HANG STRAIGHT ALL THREAD 45° SWIVEL 5/8" OD STEM - 1/4" IP</p>  <p>ORDER: AT (Length) SPECIFY LENGTH: AT12 - 12" AT24 - 24" AT36 - 36"</p>  <p>FIELD CUT THREADED PIPE TO LENGTH NEEDED CUT PIPE COVER 3/4" SHORTER THAN THREADED PIPE SLIP PIPE COVER OVER THREADED PIPE</p> | <p>CD CORD / CABLE MOUNT SJ CORD WITH 1/16 SS CABLE</p>  <p>ORDER: CD (Length) SPECIFY LENGTH: CD36 - 36" CD72 - 72" CDLC(XX) Custom Length (Specify in Inches) 120" Max</p> | <p>CM CORD MOUNT SJ CORD WITH STRAIN RELIEF</p>  <p>ORDER: CM (Length) SPECIFY LENGTH: CM36 - 36" CM72 - 72" CMLC(XX) Custom Length (Specify in Inches) 120" Max</p> |
| <p>*MAXIMUM ONE PIECE STEM LENGTH IS 72". **MAXIMUM ONE PIECE STEM LENGTH IS 36". LONGER LENGTHS ARE POSSIBLE USING MULTIPLE STEMS AND COUPLERS.</p>  | | | | |

| | | |
|---|--|---|
| <p>SWV* SWIVEL PENDANT RIGID 1/2" STEM - 3/8" NPT</p>  <p>ORDER: SWV (Length) SPECIFY LENGTH: SWV3 - 3" SWV24 - 24" SWV6 - 6" SWV36 - 36" SWV12 - 12" SWV48 - 48" SWV18 - 18" SWV72 - 72" SWVLC(XX) Custom Length (Specify in Inches)</p> | <p>MONO MONO POINT 45° TILT</p>  | <p>WM WALL MOUNT</p>  |
|---|--|---|

DRIVER CANOPY OPTIONS

RDC5 - SMALL DRIVER CANOPY (STANDARD)



Ø 5.3 2.5

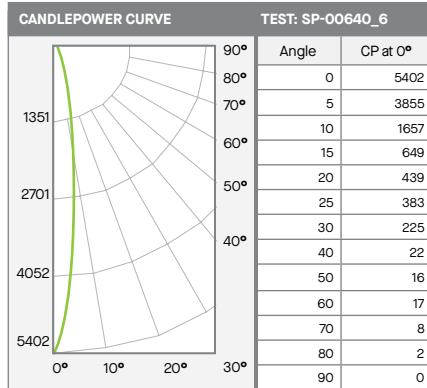


2.5" ROUND

PICO SERIES / PHOTOMETRIC DATA



C0205XT-13LxxK-XNEX-GLxxMW



| ZONAL LUMENS | | |
|--------------|-----|------|
| 0-10 | 304 | 38% |
| 0-20 | 524 | 66% |
| 0-30 | 686 | 86% |
| 0-40 | 742 | 93% |
| 0-60 | 775 | 98% |
| 0-80 | 792 | 100% |
| 0-90 | 794 | 100% |
| Total Lumens | 794 | 100% |

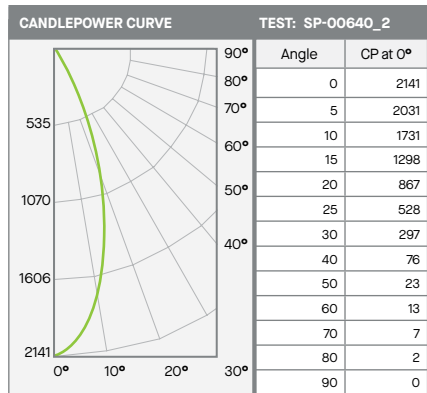
13L XTRA NARROW - 83 CRI

| SINGLE UNIT: PERFORMANCE | | | |
|--|--------------|--------------------|--------------|
| INITIAL FOOTCANDLES AND BEAM ANGLE DIAMETERS | | | |
| Mounting Height* | FC at Center | Diameter of Beam** | FC at Beam** |
| 5.5' | 179 | 1.5' | 88 |
| 6.5' | 128 | 1.7' | 63 |
| 7.5' | 96 | 2.0' | 47 |
| 8.5' | 75 | 2.3' | 37 |
| 10.0' | 54 | 2.7' | 27 |
| 12.0' | 38 | 3.2' | 18 |
| 14.0' | 28 | 3.8' | 14 |
| 16.0' | 21 | 4.3' | 10 |

* From aperture to horizontal surface below.
** At IESNA defined Beam Angle, to 50% Max. CP.

Delivered Lumens: 794 CP @ 0° (Nadir): 5402 Spacing Ratio: 0.28
 Luminaire Watts: 18.4 Beam Angle: 15.3° Output Multipliers: 10L x 0.74
 LER: 43 CRI: 83

C0205XT-13LxxK-MDEX-SOxxMW



| ZONAL LUMENS | | |
|--------------|-----|------|
| 0-10 | 185 | 20% |
| 0-20 | 540 | 58% |
| 0-30 | 783 | 84% |
| 0-40 | 878 | 94% |
| 0-60 | 921 | 98% |
| 0-80 | 934 | 100% |
| 0-90 | 936 | 100% |
| Total Lumens | 936 | 100% |

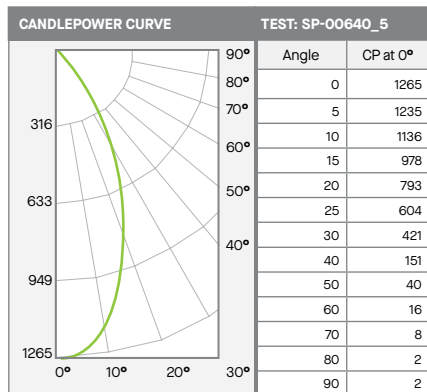
13L MEDIUM - 83 CRI

| SINGLE UNIT: PERFORMANCE | | | |
|--|--------------|--------------------|--------------|
| INITIAL FOOTCANDLES AND BEAM ANGLE DIAMETERS | | | |
| Mounting Height* | FC at Center | Diameter of Beam** | FC at Beam** |
| 5.5' | 71 | 3.5' | 32 |
| 6.5' | 51 | 4.1' | 23 |
| 7.5' | 38 | 4.8' | 17 |
| 8.5' | 30 | 5.4' | 13 |
| 10.0' | 21 | 6.3' | 10 |
| 12.0' | 15 | 7.6' | 7 |
| 14.0' | 11 | 8.9' | 5 |
| 16.0' | 8 | 10.2' | 4 |

* From aperture to horizontal surface below.
** At IESNA defined Beam Angle, to 50% Max. CP.

Delivered Lumens: 936 CP @ 0° (Nadir): 2141 Spacing Ratio: 0.58
 Luminaire Watts: 13 Beam Angle: 35.2° Output Multipliers: 7L x 0.55, 10L x 0.74
 LER: 72 CRI: 83

C0205XT-13LxxK-WDEX-SOxxMW



| ZONAL LUMENS | | |
|--------------|-----|------|
| 0-10 | 114 | 12% |
| 0-20 | 385 | 42% |
| 0-30 | 659 | 71% |
| 0-40 | 825 | 89% |
| 0-60 | 908 | 98% |
| 0-80 | 924 | 100% |
| 0-90 | 926 | 100% |
| Total Lumens | 926 | 100% |

13L WIDE - 83 CRI

| SINGLE UNIT: PERFORMANCE | | | |
|--|--------------|--------------------|--------------|
| INITIAL FOOTCANDLES AND BEAM ANGLE DIAMETERS | | | |
| Mounting Height* | FC at Center | Diameter of Beam** | FC at Beam** |
| 5.5' | 42 | 5.0' | 17 |
| 6.5' | 30 | 5.9' | 12 |
| 7.5' | 22 | 6.8' | 9 |
| 8.5' | 18 | 7.7' | 7 |
| 10.0' | 13 | 9.0' | 5 |
| 12.0' | 9 | 10.8' | 4 |
| 14.0' | 6 | 12.6' | 3 |
| 16.0' | 5 | 14.4' | 2 |

* From aperture to horizontal surface below.
** At IESNA defined Beam Angle, to 50% Max. CP.

Delivered Lumens: 926 CP @ 0° (Nadir): 1265 Spacing Ratio: 0.76
 Luminaire Watts: 13 Beam Angle: 48.5° Output Multipliers: 7L x 0.55, 10L x 0.74
 LER: 71 CRI: 83



COLOR OPTIONS - POWDER COAT PAINT FINISHES

NOTE: NO PRINTED IMAGE CAN EQUAL THE EXACT COLOR OF FINISH ON METAL.
SEE INDIVIDUAL SPECIFICATION SHEETS OR CONSULT FACTORY FOR ADDITIONAL INFORMATION.



STANDARD CORD / STEM / CANOPY FINISHES

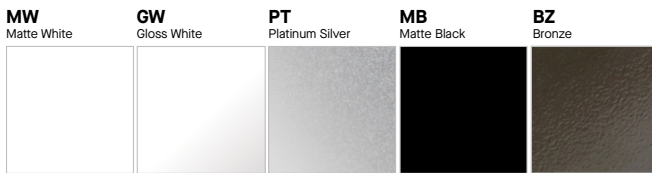
| FIXTURE COLOR | STANDARD CORD COLOR | STANDARD CANOPY / STEM COLOR |
|-----------------------------|---------------------|------------------------------|
| Matte White, Textured White | Matte White | Matte White |
| Gloss White | Matte White | Gloss White |
| Matte Black, Textured Black | Matte Black | Matte Black |
| All Others | Matte Black | Same Color as Fixture |
| Custom Color | Contact Factory | Contact Factory |

PAINT TIMES

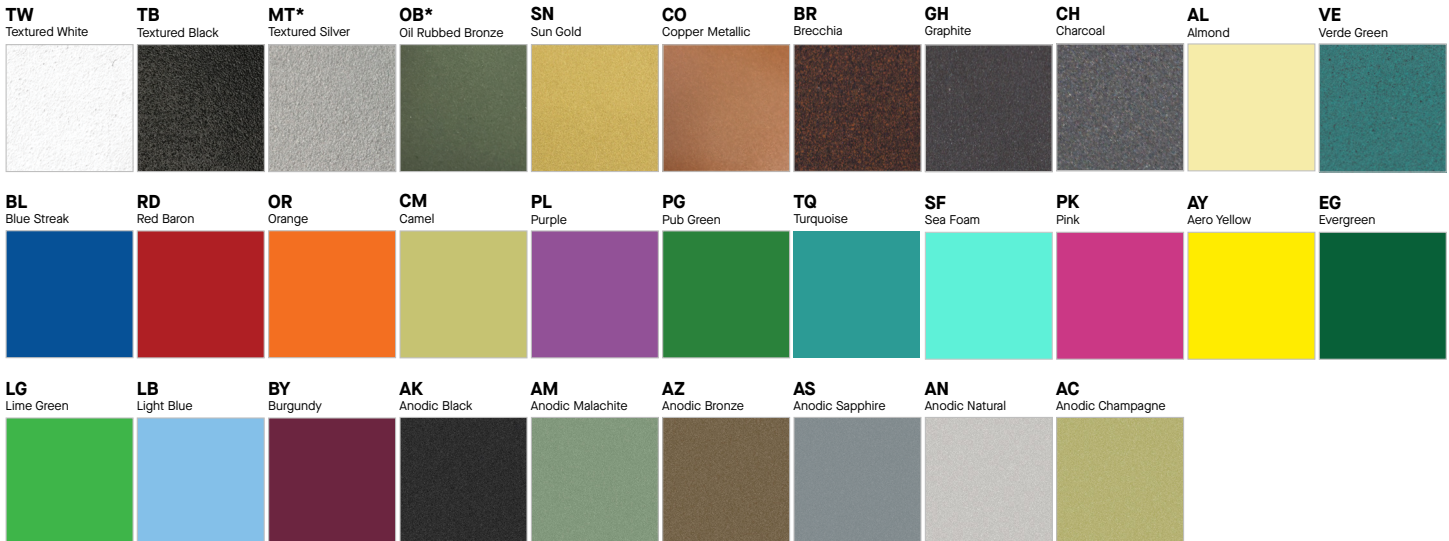
| TIER | COST | AVERAGE PAINT TIME* |
|----------------------------|-----------------|---------------------|
| Tier 1 - Standard Finishes | \$ | ⌚ |
| Tier 2 - Typical Finishes | \$\$ | ⌚⌚ |
| Custom Color | Contact Factory | Contact Factory |

*CONTACT FACTORY FOR SPECIFIC PRODUCT LEAD TIMES

TIER 1 - STANDARD FINISHES



TIER 2 - TYPICAL FINISHES



CUSTOM COLOR FINISHES

CONTACT FACTORY

CC
Custom Color



*UNAVAILABLE FOR WET LOCATION

