



8" ROUND DIRECT PRO-FORM SERIES



C0812GV - CEILING MOUNT

APPLICATION

8" round x 12" high output cylinder series for general illumination.

FEATURES

Spectrum's Cylinder series provides traditional architectural style with high performance and energy efficient illumination. Rugged design with flexible mounting, finish and LED options make these extremely versatile fixtures. Single stage optical system design delivers smooth general illumination.

FINISH

Multi-stage polyester powder-coat process applied on our dedicated paint lines. See mounting and color pages for standard finishes. All exposed materials are chromate pretreated to resist corrosion.

ELECTRONICS

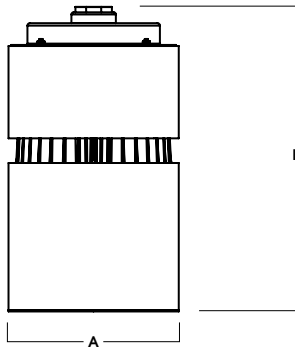
GV LED system features high brightness white Samsung LED's. 3-step MacAdam Ellipse binning. Standard CRI: 85+. Higher CRI, R9 and custom LED configurations are available; consult factory. Variety of electronic 120V/277V and dimming drivers. DMX controls available.

CONSTRUCTION

Extruded seamless aluminum fixture housing. Galvanized steel brackets to resist corrosion. One piece reflector trim spun from .063 thick high purity aluminum and finished to specification.

CODE COMPLIANCE

BAA compliant. ETL certified to meet US and Canadian standards. Suitable for dry or damp locations. Manufactured and tested to UL standards No. 1598/8750.



A	B
8.0	13.3
203.2 mm	308.8 mm

LUMENS / WATTAGE DATA				
PART NUMBER	SOURCE LUMENS ¹	DELIVERED LUMENS ²	SYSTEM WATTS	LPW
C0812GV15L	1500	987	10	99
C0812GV27L	2700	1723	18	96
C0812GV37L	3700	2527	26	97
C0812GV55L	5500	3722	39	95

SERIES	LUMENS ¹	CCT	DRIVER / DIMMING ³	OPTIONS ⁷	TRIM	MOUNTING ⁸	FINISH ¹¹	
C0812GV	15L 1500 Lm	27K 2700K	EX Electronic Driver, 120V/277V	FS Fuse Holder and Fuse	TSG Semi Diffuse Low	HM ⁹ Hang Straight	MW ¹² Matte White	
	27L 2700 Lm	30K 3000K	DS10X 10%, 0-10V, 120V/277V		IR Iridescent Clear	PM ⁹ Rigid Pendant Mount	MB ¹² Matte Black	
	37L 3700 Lm	35K 3500K	DO10X 1%, 0-10V, 120V/277V		TCY Same Color as Cylinder	AT ⁹ Hang Straight All Thread	PT ¹² Platinum Silver	
	55L 5500 Lm	40K 4000K	DS2W1 ELV / MLV, 120V		TCC Custom Color	CD ^{9/10} Cord / Cable Mount	CC Custom Color	
		50K 5000K	DLTE1 ⁴ Lutron 2-Wire Forward Phase (MLV), 120V			SM Surface Mount		
			DL3EX ⁴ 1% Lutron® EcoSystem® Fade, 120V/277V			CQD ⁹ DMX Large Driver Canopy		
			ED01X 0.1%, eidoLED 120V/277V		LENS		See Page 5 for Full Range of Color Options (83-90095)	
			DALIX DALI Control		SO Micro Prism Solite™ Lens	EMERGENCY BATTERY OPTIONS		
			DMXS ^{5/6} DMX Standard Configuration		GL Clear Glass Lens	EMCR 10W Canopy Mounted EM		
			DMXC ^{5/6} DMX Non-Standard Custom		FG Frosted Glass Lens	EMRM 7W Remote EM		
						EMEN 7W Remote with Enclosure		

EXAMPLE: C0812GV37L35KEX/TSG/HM36/MW

NOTES:

1 Nominal Source Lumens at 35K 2 Nominal Delivered Lumens at 35K with TSG-SO 3 Contact Factory for Additional Options 4 37L Max 5 Contact Factory 6 CQD Required for DMXS/C 7 See Product Options Page For Details 8 See Mounting Page for Details on Components and Finishes 9 Specify Length in Inches: See Mounting Page for Available Lengths 10 EMxxx Option Requires 2 Cords 11 See Color Page for More Options/Consult Factory for Special Finishes 12 Standard Finishes



PROJECT: _____
TYPE: _____



Dimensions and values shown are nominal. Spectrum Lighting continually works to improve products and reserves the right to make changes which may alter the performance or appearance of products.

8" ROUND DIRECT

PRO-FORM SERIES / FIXTURE OPTIONS



STANDARD FINISHES

MW
MATTE WHITE



MB
MATTE BLACK

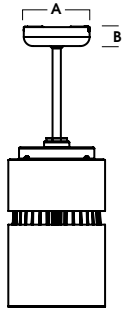


PT
PLATINUM SILVER



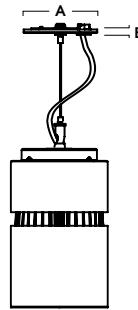
MOUNTING TYPES

HM / PM / AT
HANG STRAIGHT / PENDANT / ALL THREAD



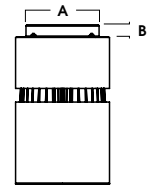
A	B
5.0	1.5
127.0 mm	38.1 mm

CD
CORD / CABLE MOUNT



A	B
5.0	.25
127.0 mm	6.4 mm

SM
SURFACE MOUNT



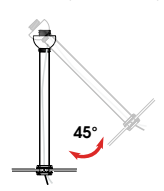
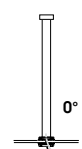
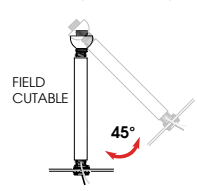
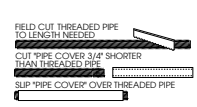
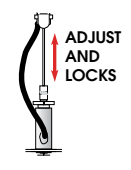
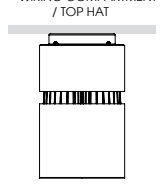
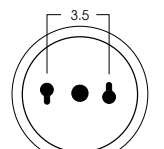
A	B
6.2	1.1
157.5 mm	27.9 mm

STANDARD MOUNTING & ACCESSORIES

SOME OPTIONS NOT AVAILABLE ON ALL FIXTURES. CONSULT SPECIFICATION SHEETS. SEE INDIVIDUAL SPECIFICATION SHEETS OR CONSULT FACTORY FOR ADDITIONAL INFORMATION. NOTE: THIS IS TYPICAL OF CYLINDERS SPECIFICATION FOR PENDANT MOUNTING. INDIVIDUAL FIXTURES OR PROJECTS MAY HAVE SPECIALIZED REQUIREMENTS.



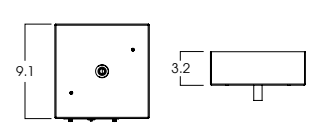
MOUNTING TYPES

<p>HM* HANG STRAIGHT 45° SWIVEL 5/8" OD STEM - 3/8" IP</p>  <p>ORDER: HM (Length) SPECIFY LENGTH: HM3 - 3" HM24 - 24" HM6 - 6" HM36 - 36" HM12 - 12" HM48 - 48" HM18 - 18" HM72 - 72" HMLC(XX) Custom Length (Specify in Inches)</p>	<p>PM* RIGID PENDANT MOUNT RIGID 5/8" OD STEM - 3/8" IP</p>  <p>ORDER: PM (Length) SPECIFY LENGTH: PM3 - 3" PM24 - 24" PM6 - 6" PM36 - 36" PM12 - 12" PM48 - 48" PM18 - 18" PM72 - 72" PMLC(XX) Custom Length (Specify in Inches)</p>	<p>AT** HANG STRAIGHT ALL THREAD 45° SWIVEL 5/8" OD STEM - 1/4" IP</p>  <p>ORDER: AT (Length) SPECIFY LENGTH: AT12 - 12" AT24 - 24" AT36 - 36"</p> 	<p>CD CORD / CABLE MOUNT SJ CORD WITH 1/16 SS CABLE</p>  <p>ORDER: CD (Length) SPECIFY LENGTH: CD36 - 36" CD72 - 72" CD144 - 144" CDLC(XX) Custom Length (Specify in Inches)</p>	<p>SM SURFACE MOUNT WIRING COMPARTMENT / TOP HAT</p>  <p>ORDER: SM TOP VIEW CANOPY 3.5</p>  <p>KEY SLOTS MOUNT CANOPY TO WALL JUNCTION BOX. JUNCTION BOX IS COVERED.</p>
------------------------------------------------------------------------------------------------------------------------------------------------------------------------------------------------------------------------------------------------------------------------------------------------------------------------------------------------------------------------------------------------------------------------------------------------------	-------------------------------------------------------------------------------------------------------------------------------------------------------------------------------------------------------------------------------------------------------------------------------------------------------------------------------------------------------------------------------------------------------------------------------------------------------	----------------------------------------------------------------------------------------------------------------------------------------------------------------------------------------------------------------------------------------------------------------------------------------------------------------------------------------------------------------------------------	---------------------------------------------------------------------------------------------------------------------------------------------------------------------------------------------------------------------------------------------------------------------------------------------------------------------------------------------------	------------------------------------------------------------------------------------------------------------------------------------------------------------------------------------------------------------------------------------------------------------------------------------------------------------------------------------------------------------------------------

*MAXIMUM ONE PIECE STEM LENGTH IS 72". **MAXIMUM ONE PIECE STEM LENGTH IS 36". LONGER LENGTHS ARE POSSIBLE USING MULTIPLE STEMS AND COUPLERS.

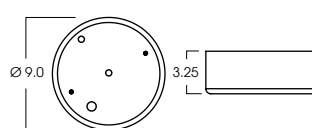
DMX OPTION

CQD - LARGE DRIVER CANOPY FOR DMX OPTIONS

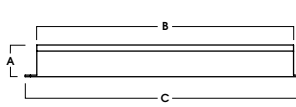
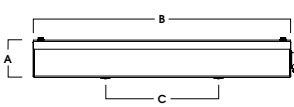


EMERGENCY BATTERY OPTIONS

EMCR - LARGE DRIVER CANOPY FOR 10W EMERGENCY BATTERY



REMOTE EMERGENCY BATTERY OPTIONS

<p>EMRM* - 7W REMOTE EMERGENCY BATTERY (50' MAX)</p>  <table border="1"> <thead> <tr> <th>A</th> <th>B</th> <th>C</th> </tr> </thead> <tbody> <tr> <td>1.3</td> <td>12.6</td> <td>13.0</td> </tr> </tbody> </table>	A	B	C	1.3	12.6	13.0	<p>EMEN* - 7W REMOTE EMERGENCY BATTERY WITH ENCLOSURE (50' MAX)</p>  <table border="1"> <thead> <tr> <th>A</th> <th>B</th> <th>C</th> </tr> </thead> <tbody> <tr> <td>2.0</td> <td>17.0</td> <td>6.2</td> </tr> </tbody> </table>	A	B	C	2.0	17.0	6.2
A	B	C											
1.3	12.6	13.0											
A	B	C											
2.0	17.0	6.2											

*OTHER EM BATTERY SIZES AVAILABLE. CONSULT FACTORY

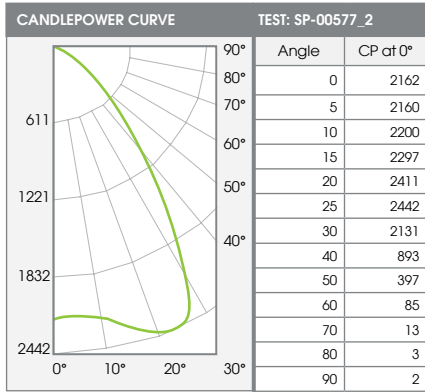
8" ROUND DIRECT

PRO-FORM SERIES / PHOTOMETRIC DATA



C0812GV-55L35K-EX-TSG-SO

55L - 85 CRI



ZONAL LUMENS		
0-10	206	6%
0-20	846	23%
0-30	1930	52%
0-40	2911	78%
0-60	3658	98%
0-80	3720	100%
0-90	3722	100%
Total Lumens	3722	100%

SINGLE UNIT: PERFORMANCE			
INITIAL FOOTCANDLES AND BEAM ANGLE DIAMETERS			
Mounting Height*	FC at Center	Diameter of Beam**	FC at Beam**
5.5'	71	7.4'	25
6.5'	51	8.8'	18
7.5'	38	10.1'	13
8.5'	30	11.5'	10
10.0'	22	13.5'	7
12.0'	15	16.2'	5
14.0'	11	18.9'	4
16.0'	8	21.6'	3

* From aperture to horizontal surface below.
 ** At IESNA defined Beam Angle, to 50% Max. CP.

Delivered Lumens: 3722
 Luminaire Watts: 39
 LER: 95

CP @ 0° (Nadir): 2162
 Beam Angle: 68°
 CRI: 84

Spacing Ratio: 1.28
 Output Multipliers: 15L x 0.27, 27L x 0.46, 37L x 0.68

COLOR OPTIONS - POWDER COAT PAINT FINISHES

NOTE: NO PRINTED IMAGE CAN EQUAL THE EXACT COLOR OF FINISH ON METAL.
SEE INDIVIDUAL SPECIFICATION SHEETS OR CONSULT FACTORY FOR ADDITIONAL INFORMATION.



STANDARD CORD / STEM / CANOPY FINISHES

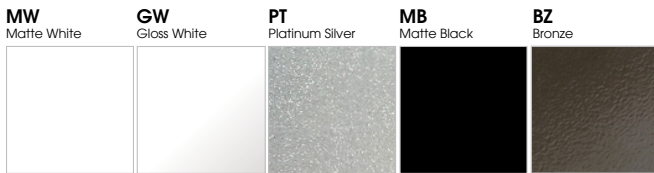
FIXTURE COLOR	STANDARD CORD COLOR	STANDARD CANOPY / STEM COLOR
Matte White, Textured White	Matte White	Matte White
Gloss White	Matte White	Gloss White
Matte Black, Textured Black	Matte Black	Matte Black
All Others	Matte Black	Same Color as Fixture
Custom Color	Contact Factory	Contact Factory

PAINT TIMES

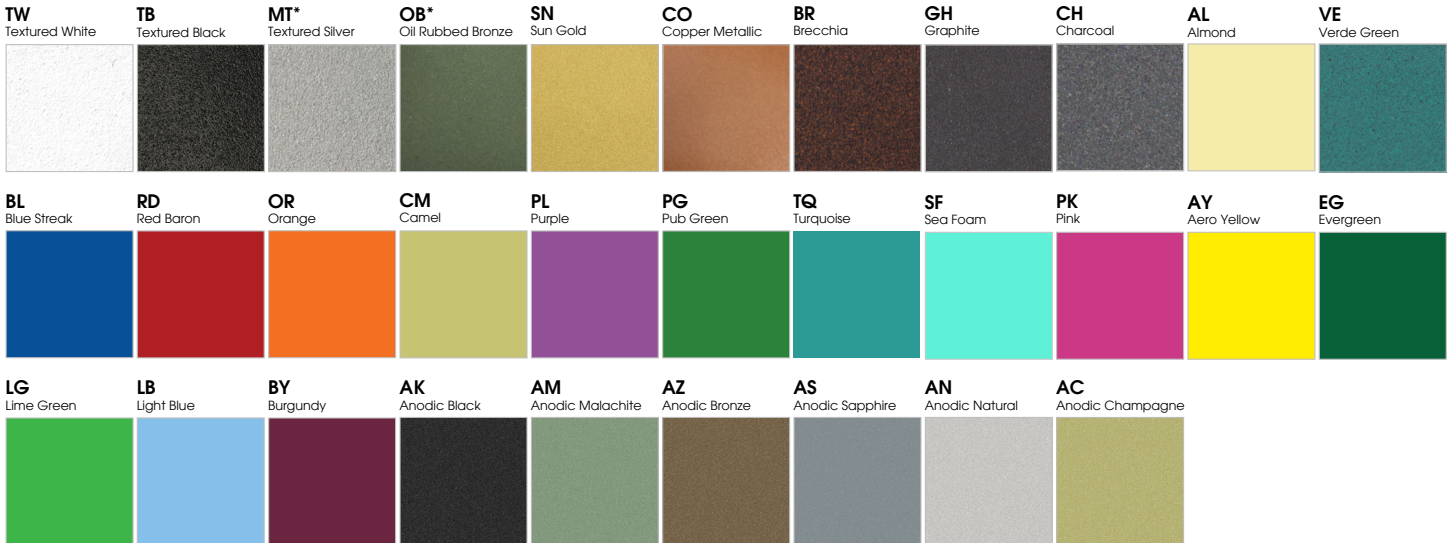
TIER	COST	AVERAGE PAINT TIME*
Tier 1 - Standard Finishes	\$	⌚
Tier 2 - Typical Finishes	\$\$	⌚⌚
Custom Color	Contact Factory	Contact Factory

*CONTACT FACTORY FOR SPECIFIC PRODUCT LEAD TIMES

TIER 1 - STANDARD FINISHES



TIER 2 - TYPICAL FINISHES



CUSTOM COLOR FINISHES

CONTACT FACTORY

CC
Custom Color



*UNAVAILABLE FOR WET LOCATION