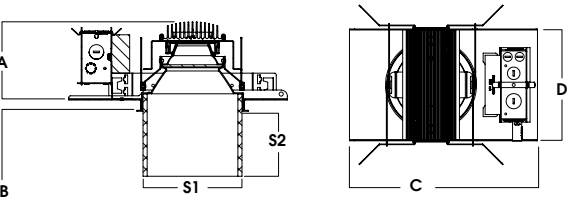
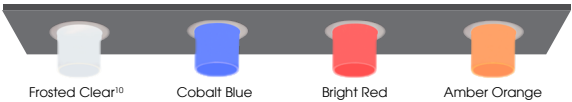
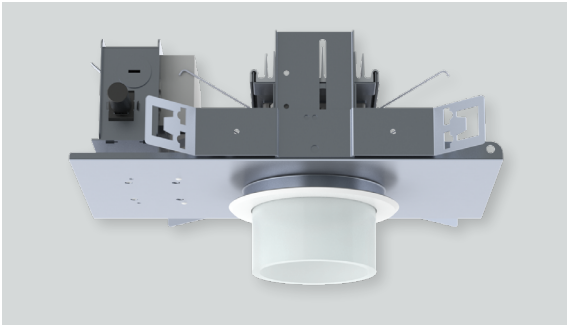




GEO-METRICS DECORATIVE ACCENT OS SERIES / 4500 LUMENS MAX



A	B	C	D	S1	S2
4.8 121.9 mm	0.625 15.9 mm	13.3 337.8 mm	7.9 200.7 mm	4.0 101.6 mm	2 1/4" 2 1/4"

SGE4LEDOS - DECORATIVE TRIM / NON-IC RATED

APPLICATION

Geo-Metrics decorative accent LED series. These create visual focus and ceiling brightness while functioning as a performance downlight.

FEATURES

Decorative Trim installed directly to the reflector. Can be ordered in 2" and 4" lengths. Two-stage optical system for smooth light distribution. Zhaga International Standard LED module for ease of maintenance and replacement. Tool-less LED module, driver and J-Box access. Multi-Bar mounting brackets. BH27 Standard mounting bars included. Post-lock trim retention torsion springs. Integral 0.625" collar.

TRIM FINISH

A variety of architectural powdercoat and anodized finishes are available. Matte white flange is standard.

ELECTRONICS

LED module features high brightness white Osram LEDs. 3-step MacAdam Ellipse binning and CRI 84 minimum. Full range of electronic 120V/277V and dimming drivers.

CONSTRUCTION

Housing/frame constructed of #20 ga. galvanized steel to resist corrosion. Decorative accent cast in 0.25" thick colored acrylic. Material is precision machined and rolled into reflector for a seamless installation with no visible hardware. Acrylic is UV stabilized and soft etched for a durable and uniform finish. Passive machined aluminum heatsink.

CODE COMPLIANCE

BAA Compliant. Non-IC rated. ETL certified to meet US and Canadian standards. Suitable for dry or damp locations. Optional Wet location. LM79/LM80/TM21 data available. Manufactured and tested to UL standards No. 1598/8750.

WATTAGE TO LUMENS UPDATE			
CURRENT PART NUMBER EXAMPLE	PREVIOUS PART NUMBER EXAMPLE	SOURCE LUMENS ¹	SYSTEM WATTS
SGE4LEDOS10L	SGE4LEDOS14W	1100	11
SGE4LEDOS15L	N/A	1500	13
SGE4LEDOS20L	SGE4LEDOS25W	2000	20
SGE4LEDOS30L	SGE4LEDOS35W	3000	28
SGE4LEDOS45L	N/A	4500	41

SERIES	LUMENS ¹	CCT	DRIVER / VOLTAGE ²	OPTIONS ⁴	TRIM	COLOR	CAST ACRYLIC	TRIM OPTIONS	
SGE4LEDOS	10L 1100 Lm	27K 2700K	E Electronic Driver DS10 10%, 0-10V DO10 1%, 0-10V DS2W1 1%, ELV/MLV, 120V DLTE1 1% Lutron® 2-Wire Forward Phase, 120V DL3E 1% Lutron® EcoSystem®, Fade EL10 1%, eldoLED ED01 0.1%, eldoLED DALI DALI Control DMXS³ DMX Standard Configuration DMXC³ DMX Non-Standard Custom	1 120V 2 277V	BH27⁵ 27" Solid Bars H12 12" - 24" Expandable Bars H06 6" - 12" Expandable Bars CB24 24" C-Channel Bars FS Fusing EB Fixture Painted Black CR Corrosion Resistant PR⁶ Deep Ceiling Extension GR Goof Ring ZIG⁷ ZigBee Module BLU⁷ Bluetooth LE EM⁸ 7W Emergency Battery Test Switch Remote AMB Anti-Microbial Finish	AR4223OSMWSO	FA⁹ Frosted Clear CB Cobalt Blue RD Bright Red AM Amber Orange	CY2 2" Deep Acrylic CY4 4" Deep Acrylic	WL Wet Location PF¹⁰ Polished Flange AMB Anti-Microbial Finish
	15L 1500 Lm	30K 3000K							
	20L 2000 Lm	35K 3500K							
	30L 3000 Lm	40K 4000K							
	45L 4500 Lm								

EXAMPLE: SGE4LEDOS20L35KE1/AR4223OSMWSOFACY2

NOTES:
 1 Nominal Source Lumens at 35K 2 Contact Factory for Additional Options 3 Contact Factory 4 See Product Options Page for Details 5 Standard Bar Hangers 6 Contact Factory 7 Order DS101/2 When Specifying ZIG or BLU
 8 Standard EM 9 Standard 10 Flange and Reflector Same Finish



PROJECT: _____
 TYPE: _____



Dimensions and values shown are nominal. Spectrum Lighting continually works to improve products and reserves the right to make changes which may alter the performance or appearance of products.