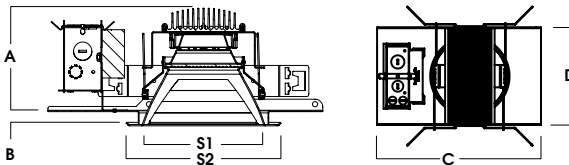
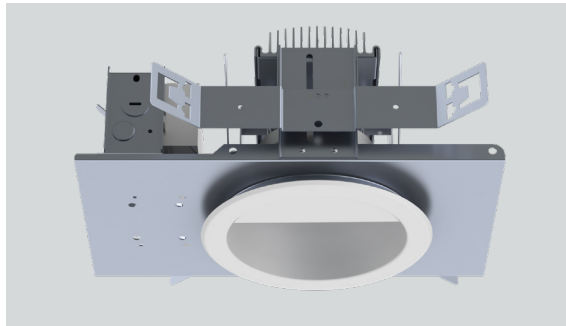
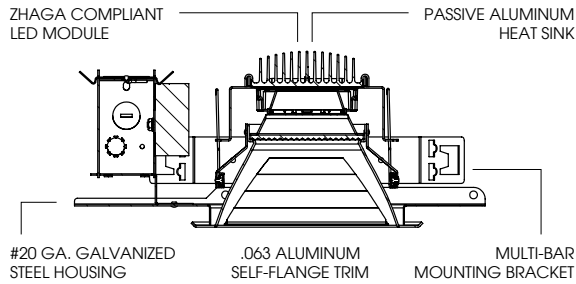


# 4" ROUND WALL WASH FX SERIES / 4000 LUMENS MAX



A	B	C	D	S1	S2
4.4 111.8 mm	.625 15.9 mm	13.3 337.8 mm	7.9 200.7 mm	4.0 101.6 mm	5.4 137.2 mm

## SGW4LEDFX - TRIM FLANGE / NON-IC RATED

### QUICK SHIP

Quick Ship highlights products that can ship in 3 - 5 working days.

### APPLICATIONS

FX series 4" diameter recessed wall wash, designed for general wall washing with smooth light distribution.

### FEATURES

Shallow plenum construction. Wide range of apertures. Companion retrofit and remodel fixtures available. Auto dim thermal protector for long term reliability. Zhaga international standard LED module for ease of maintenance and future replacement. Tool-less LED module, driver, and J-Box access. Multi-Bar mounting brackets, fit a variety of mounting bars. Post-lock trim retention torsion springs. Integral 5/8" (.625) collar, works in ceiling up to 1." Deep. BH27 Standard mounting bars included. Intended for Non-IC new construction.

### FINISH

Variety of powdercoat and anodized finishes available. Matte white flange is standard.

### ELECTRONICS

LED system features high efficacy Philips LEDs. Standard CRI is >80. Drivers are overload and short circuit protected as well as thermally regulated. Sound rating A. L70 at >60,000 hours.

### CONSTRUCTION

Housing/frame constructed of #20 ga. galvanized steel to resist corrosion. Self-flanged one piece trim spun from 0.063 3002 high purity aluminum and finished to specification. Passive machined aluminum heatsink.

### CODE COMPLIANCE

Energy Star pending and BAA Compliant. Non-IC New Construction only. ETL certified to meet US and Canadian standards. Suitable for dry or damp locations. Optional Wet location listed trim. LM79/LM80 data available. Manufactured and tested to UL standards No. 1598/8750.

WATTAGE / LUMENS DATA				
PART NUMBER	SOURCE LUMENS <sup>1</sup>	DELIVERED LUMENS <sup>2</sup>	SYSTEM WAITS	LPW
SGW4LEDFX10L	1000	625	9	68
SGW4LEDFX15L	1500	938	13	72
SGW4LEDFX20L	2000	1250	17	74
SGW4LEDFX30L	3000	1875	25	75
SGW4LEDFX40L	4000	2500	35	72

SERIES	LUMENS <sup>1</sup>	CCT	DRIVER / VOLTAGE	OPTIONS	TRIM	FINISH	TRIM OPTIONS
SGW4LEDFX	10L	1000 Lm	27HK 2700K 30K 3000K 35K 3500K 40K 4000K 50K 5000K	DX 1%, 0-10V, 120V/277V	<b>BH27<sup>3</sup></b> 27" Solid Bars <b>H12</b> 12" - 24" Expandable Bars <b>H06</b> 6" - 12" Expandable Bars <b>CB24</b> 24" C-Channel Bars <b>EM</b> Integral Emergency Battery <b>EMRM<sup>4</sup></b> Remote Emergency Battery Pack <b>FS</b> Fusing <b>CR</b> Corrosion Resistant <b>PR<sup>5</sup></b> Deep Ceiling Extension	<b>AR4923FX</b> <b>MW</b> Matte White <b>MB</b> Matte Black <b>SG</b> Semi-Diffuse <b>PT</b> Platinum Silver <b>CC<sup>6</sup></b> Custom Color	<b>WF</b> White Flange <b>MF<sup>7</sup></b> Matching Flange <b>SK<sup>8</sup></b> Skytex™ Lens <b>SKW</b> Skytex™ Lens <b>Wet Location</b>
	15L	1500 Lm					
	20L	2000 Lm					
	30L	3000 Lm					
	40L	4000 Lm					

### QUICK SHIP

**EXAMPLE:** SGW4LEDFX20L30KDX/BH27/AR4923FXSGWFSK

NOTES:  
 1 Nominal Source Lumens at 35K 2 Nominal Delivered Lumens at 35K with SG-SK Trim 3 Standard Bar Hangers 4 Installer Responsible for EM Access 5 Contact Factory 6 Contact Factory for Special Finishes  
 7 Flange Same Color as Inside of Trim 8 Standard Lens



PROJECT: \_\_\_\_\_  
 TYPE: \_\_\_\_\_



Dimensions and values shown are nominal. Spectrum Lighting continually works to improve products and reserves the right to make changes which may alter the performance or appearance of products.