



2.5" ROUND

PICO SERIES



CO205XT - CEILING MOUNT

APPLICATION

2.5" round mini cylinder for accent, display and general illumination.

FEATURES

Spectrum's Cylinder series provides traditional architectural style with high performance and energy efficient illumination. Rugged design with flexible mounting, finish and LED options make these extremely versatile fixtures. Quick change LED module with interchangeable optics for job site flexibility and fixture upgrade. Interchangeable optics for job site flexibility and fixture upgrade.

FINISH

Multi-stage polyester powder-coat process applied on our dedicated paint lines. See mounting and color pages for standard finishes. All exposed materials are chromate pretreated to resist corrosion.

ELECTRONICS

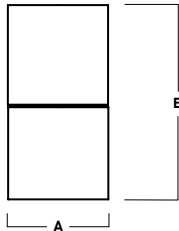
LED system features Xicato LED module with proprietary phosphor technology that provides consistent stable color with CCT control of +/- 100K over life of the light engine. Base CRI is 83 with 2-step MacAdam Ellipse binning. High CRI is 98 with 1 x 2-step MacAdam Ellipse binning. Multivolt input (120/277), 0-10V dimming and bluetooth low energy options.

CONSTRUCTION

Fixture is fabricated from machined aluminum.

CODE COMPLIANCE

BAA compliant. ETL certified to meet US and Canadian standards. Suitable for dry or damp locations. Manufactured and tested to UL standards No. 1598/8750.



A	B
2.5 63.5 mm	4.8 121.9 mm

LUMENS / WATTAGE DATA				
PART NUMBER	SOURCE LUMENS ¹	DELIVERED LUMENS ²	SYSTEM WATTS ³	LPW
CO205XT7L	700	519	6.2	84
CO205XT10L	1000	695	9.1	76
CO205XT13L	1300	936	13.0	72

SERIES	LUMENS ¹	CCT	OPTICS	DRIVER / DIMMING ⁶	LENS	MOUNTING ¹⁰	CORD COLOR ¹⁶	FINISH ¹⁸		
CO205XT	7L ⁴	700 Lm	83 CRI	XN ⁵ 15°	EX Electronic Driver, 120V/277V DX 1%, 0-10V, 120V/277V BLU 48V Bluetooth Control DMXS ⁷ DMX Standard Configuration DMXC ⁷ DMX Non-Standard Custom	NL No Lens GL ⁸ Clear Glass Lens SO ⁹ Micro Prism Solite™ Lens HL Hex Louver	RDC5 ¹¹ Round Driver Canopy CGD ¹² DMX Large Driver Canopy	WC White BC Black SC Silver TC Teal NC Wine KC Beige QC Turquoise RC Red YC Yellow BTC Black/Brown BWC Black/White OC Burnt Orange GC Green CC ¹⁷ Custom Color		
	10L	1000 Lm	27K 2700K 30K 3000K 35K 3500K 40K 4000K						MD 35° WD 48°	HM ¹³ Hang Straight AT ¹³ Hang Straight All Thread PM ¹³ Rigid Pendant Mount CD ¹³ Cord / Cable Mount CM ¹³ Cord Mount SWV ^{13/14} Swivel Pendant MONO ¹⁵ Mono Point 45° Tilt WM Wall Mount
	13L	1300 Lm	98 CRI 27HK 2700K 30HK 3000K 35HK 3500K 40HK 4000K							

EXAMPLE: CO205XT13L35KNDEX/RDC5HM36/MW

NOTES:

1 Nominal Source Lumens at Any CCT 2 Nominal Delivered Lumens at Any CCT with MD-SO 3 At 83 CRI 4 7L not Available with XN 5 XN not Available with 98 CRI Option 6 Contact Factory for Additional Options 7 Contact Factory 8 Standard Lens for XN 9 Standard Lens for MD, WD 10 See Mounting Page for Details on Components and Finishes 11 Required 12 CGD Replaces RDC5 13 Specify Length in Inches: See Mounting Page for Available Lengths 14 Available with PM Mounting Only 15 Requires RDC5 16 Available with CM/CD Mounting Only 120" Max 17 Contact Factory 18 Reference Color Sheet Located on Product Webpage for Full List of Available Colors/Consult Factory for Special Finishes 19 Standard Finishes



PROJECT: _____
TYPE: _____



Dimensions and values shown are nominal. Spectrum Lighting continually works to improve products and reserves the right to make changes which may alter the performance or appearance of products.

2.5" ROUND

PICO SERIES / FIXTURE OPTIONS



STANDARD FINISHES

MW
MATTE WHITE



MB
MATTE BLACK

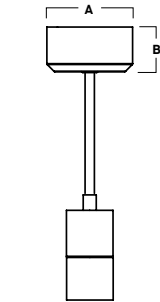


PT
PLATINUM SILVER



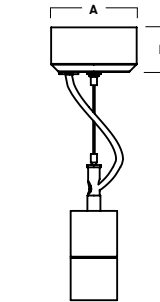
MOUNTING TYPES

HM / PM / AT
HANG STRAIGHT / PENDANT / ALL THREAD



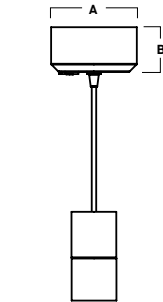
A	B
5.3	2.5
134.6 mm	63.5 mm

CD
CORD / CABLE MOUNT



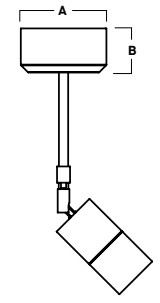
A	B
5.3	2.5
134.6 mm	63.5 mm

CM
CORD MOUNT



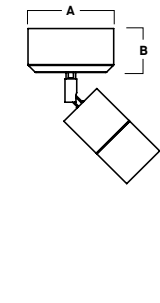
A	B
5.3	2.5
134.6 mm	63.5 mm

SWV
SWIVEL PENDANT



A	B
5.3	2.5
134.6 mm	63.5 mm

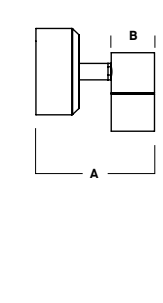
MONO
MONO POINT 45° TILT



A	B
5.3	2.5
134.6 mm	63.5 mm

May be Wall or Ceiling Mounted

WM
WALL MOUNT



A	B	C
6.9	2.3	4.6
175.3 mm	58.4 mm	116.8 mm

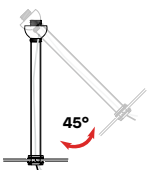
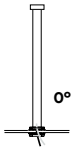
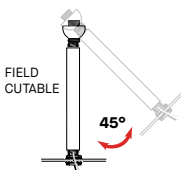
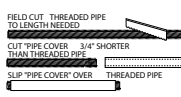




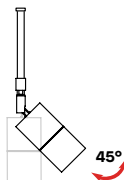
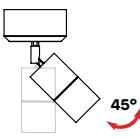
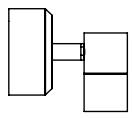
STANDARD MOUNTING & ACCESSORIES

SOME OPTIONS NOT AVAILABLE ON ALL FIXTURES. CONSULT SPECIFICATION SHEETS. SEE INDIVIDUAL SPECIFICATION SHEETS OR CONSULT FACTORY FOR ADDITIONAL INFORMATION.
NOTE: THIS IS TYPICAL OF CYLINDERS SPECIFICATION FOR PENDANT MOUNTING. INDIVIDUAL FIXTURES OR PROJECTS MAY HAVE SPECIALIZED REQUIREMENTS.



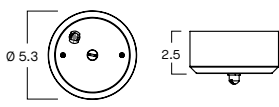
MOUNTING TYPES

<p>HM* HANG STRAIGHT 45° SWIVEL 5/8" OD STEM - 3/8" IP</p>  <p>ORDER: HM (Length) SPECIFY LENGTH: HM3 - 3" HM24 - 24" HM6 - 6" HM36 - 36" HM12 - 12" HM48 - 48" HM18 - 18" HM72 - 72" HMLC(XX) Custom Length (Specify in Inches)</p>	<p>PM* RIGID PENDANT MOUNT RIGID 5/8" OD STEM - 3/8" IP</p>  <p>ORDER: PM (Length) SPECIFY LENGTH: PM3 - 3" PM24 - 24" PM6 - 6" PM36 - 36" PM12 - 12" PM48 - 48" PM18 - 18" PM72 - 72" PMLC(XX) Custom Length (Specify in Inches)</p>	<p>AT** HANG STRAIGHT ALL THREAD 45° SWIVEL 5/8" OD STEM - 1/4" IP</p>  <p>ORDER: AT (Length) SPECIFY LENGTH: AT12 - 12" AT24 - 24" AT36 - 36"</p>  <p>*MAXIMUM ONE PIECE STEM LENGTH IS 72". **MAXIMUM ONE PIECE STEM LENGTH IS 36". LONGER LENGTHS ARE POSSIBLE USING MULTIPLE STEMS AND COUPLERS.</p>	<p>CD CORD / CABLE MOUNT SJ CORD WITH 1/16 SS CABLE</p>  <p>ORDER: CD (Length) SPECIFY LENGTH: CD36 - 36" CD72 - 72" CDLC(XX) Custom Length (Specify in Inches) 120" Max</p>	<p>CM CORD MOUNT SJ CORD WITH STRAIN RELIEF</p>  <p>ORDER: CM (Length) SPECIFY LENGTH: CM36 - 36" CM72 - 72" CMLC(XX) Custom Length (Specify in Inches) 120" Max</p>
--	---	---	--	--

<p>SWV* SWIVEL PENDANT RIGID 1/2" STEM - 3/8" NPT</p>  <p>ORDER: SWV (Length) SPECIFY LENGTH: SWV3 - 3" SWV24 - 24" SWV6 - 6" SWV36 - 36" SWV12 - 12" SWV48 - 48" SWV18 - 18" SWV72 - 72" SWVLC(XX) Custom Length (Specify in Inches)</p>	<p>MONO MONO POINT 45° TILT</p> 	<p>WM WALL MOUNT</p> 
---	--	---

DRIVER CANOPY OPTIONS

RDC5 - SMALL DRIVER CANOPY (STANDARD)

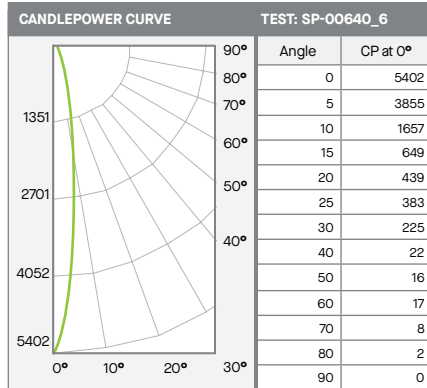



2.5" ROUND

PICO SERIES / PHOTOMETRIC DATA



C0205XT-13LxxK-XNEX-GLxxMW



ZONAL LUMENS		
0-10	304	38%
0-20	524	66%
0-30	686	86%
0-40	742	93%
0-60	775	98%
0-80	792	100%
0-90	794	100%
Total Lumens	794	100%

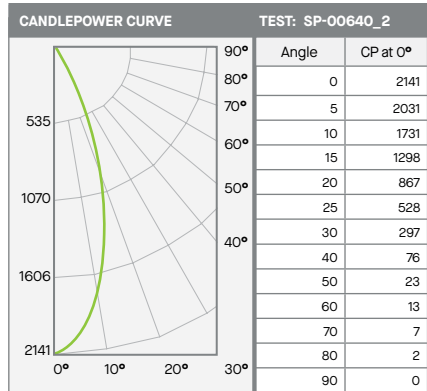
13L XTRA NARROW - 83 CRI

SINGLE UNIT: PERFORMANCE			
INITIAL FOOTCANDLES AND BEAM ANGLE DIAMETERS			
Mounting Height*	FC at Center	Diameter of Beam**	FC at Beam**
5.5'	179	1.5'	88
6.5'	128	1.7'	63
7.5'	96	2.0'	47
8.5'	75	2.3'	37
10.0'	54	2.7'	27
12.0'	38	3.2'	18
14.0'	28	3.8'	14
16.0'	21	4.3'	10

* From aperture to horizontal surface below.
** At IESNA defined Beam Angle, to 50% Max. CP.

Delivered Lumens: 794 CP @ 0° (Nadir): 5402 Spacing Ratio: 0.28
 Luminaire Watts: 18.4 Beam Angle: 15.3° Output Multipliers: 10L x 0.74
 LER: 43 CRI: 83

C0205XT-13LxxK-MDEX-SOxxMW



ZONAL LUMENS		
0-10	185	20%
0-20	540	58%
0-30	783	84%
0-40	878	94%
0-60	921	98%
0-80	934	100%
0-90	936	100%
Total Lumens	936	100%

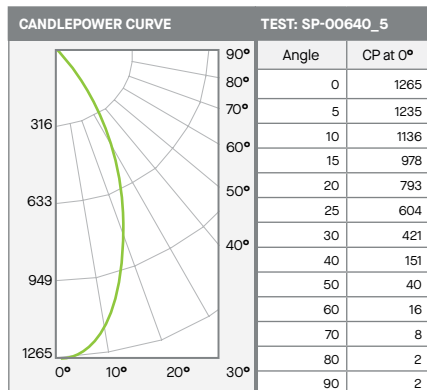
13L MEDIUM - 83 CRI

SINGLE UNIT: PERFORMANCE			
INITIAL FOOTCANDLES AND BEAM ANGLE DIAMETERS			
Mounting Height*	FC at Center	Diameter of Beam**	FC at Beam**
5.5'	71	3.5'	32
6.5'	51	4.1'	23
7.5'	38	4.8'	17
8.5'	30	5.4'	13
10.0'	21	6.3'	10
12.0'	15	7.6'	7
14.0'	11	8.9'	5
16.0'	8	10.2'	4

* From aperture to horizontal surface below.
** At IESNA defined Beam Angle, to 50% Max. CP.

Delivered Lumens: 936 CP @ 0° (Nadir): 2141 Spacing Ratio: 0.58
 Luminaire Watts: 13 Beam Angle: 35.2° Output Multipliers: 7L x 0.55, 10L x 0.74
 LER: 72 CRI: 83

C0205XT-13LxxK-WDEX-SOxxMW



ZONAL LUMENS		
0-10	114	12%
0-20	385	42%
0-30	659	71%
0-40	825	89%
0-60	908	98%
0-80	924	100%
0-90	926	100%
Total Lumens	926	100%

13L WIDE - 83 CRI

SINGLE UNIT: PERFORMANCE			
INITIAL FOOTCANDLES AND BEAM ANGLE DIAMETERS			
Mounting Height*	FC at Center	Diameter of Beam**	FC at Beam**
5.5'	42	5.0'	17
6.5'	30	5.9'	12
7.5'	22	6.8'	9
8.5'	18	7.7'	7
10.0'	13	9.0'	5
12.0'	9	10.8'	4
14.0'	6	12.6'	3
16.0'	5	14.4'	2

* From aperture to horizontal surface below.
** At IESNA defined Beam Angle, to 50% Max. CP.

Delivered Lumens: 926 CP @ 0° (Nadir): 1265 Spacing Ratio: 0.76
 Luminaire Watts: 13 Beam Angle: 48.5° Output Multipliers: 7L x 0.55, 10L x 0.74
 LER: 71 CRI: 83

