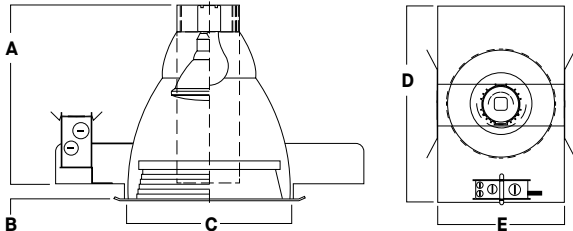
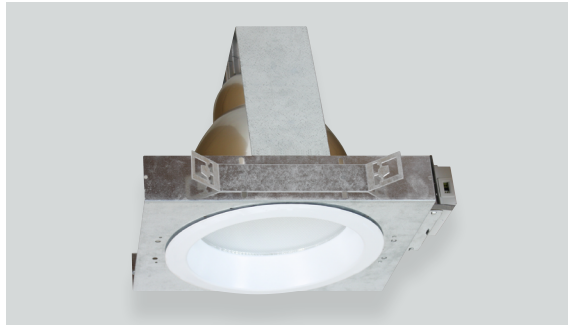
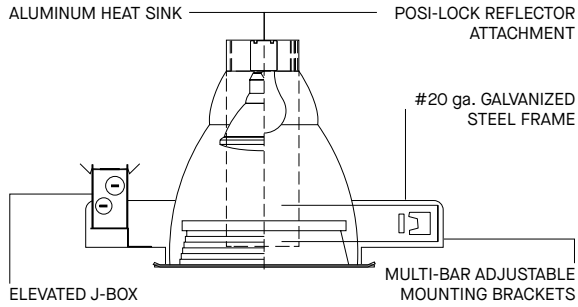




# 10" ROUND LENSED SPLAY

## PAR SERIES / 200 WATT MAX INC



A	B	C	D	E
13.0 330.2 mm	0.6 15.8 mm	10.0 254.0 mm	19.0 482.6 mm	12.0 304.8 mm

### SG10IN

#### APPLICATION

Series features a deep reflector and a wide variety of lenses and splays.

#### FEATURES

Efficient reflector design with a variety of lens options. Posi-lock reflector attachment. Integral 5/8" (0.625) plaster ring. Maximum wattage label (MWL) for low wattage Incandescent or LED lamps. Tool-less ballast access. Multi-bar adjustable mounting brackets.

#### FINISH

Variety of powdercoat and anodized finishes available on reflector. Eco Black (EB) finish available on frame/housing.

#### ELECTRONICS

120 Volt is standard. Use option T277 for 277V supply feed.

#### CONSTRUCTION

Frame constructed of 20 ga. galvanized steel. Reflectors spun from .063 high purity aluminum and finished to specification.

#### LABELS

UL/ETL Listed for Damp locations. Wet location available. Manufactured and tested to UL Standard No. 1598.

Max Ceiling Thickness:	1.0 (25.4 mm)
Ceiling Cutout:	10.3 Ø (261.6 mm Ø)
Fixture Weight:	9.0 lbs

SERIES	OPTIONS	SPLAY / FINISH	TRIM OPTIONS	FIXTURE LAMPING*										
<b>SG10IN-</b> Spectrum Gold 10" Vertical	<b>BH27</b> - 27" Bar Hangers (Supplied) <b>CB24</b> - C-Channel Bars <b>CR</b> - Corrosion Resistant <b>T277</b> - Step Down Transformer 277V to 120V <b>FS</b> - Fuse Holder and Fuse <b>PR</b> - Plaster Ring (Special Depth) <b>TBC</b> - T-bar Clips (Fit BH27) <b>MWL</b> - Max Wattage Label (Specify Wattage) <b>EB</b> - Eco Black Housing Finish	<b>AR1020-WS</b> - White w/ White Flange (Standard) <b>CS</b> - Clear Alzak w/ White Flange <b>CSPF</b> - Clear Alzak w/ Polished Flange <b>SGS</b> - Semi-Diffuse Low-Iridescent w/ White Flange <b>SGSPF</b> - Semi-Diffuse Low-Iridescent w/ Polished Flange <b>RB</b> - Regressed Black Baffled w/ White Flange <b>RBBF</b> - Regressed Black Baffled w/ Black Flange <b>RW</b> - Regressed White Baffled w/ White Flange <b>CC</b> - Custom Color	<b>PG</b> - Prismatic (T73) Lens (Standard) <b>FG</b> - Frosted Glass <b>FL</b> - Fresnel Lens <b>GL</b> - Clear Glass Lens <b>GS</b> - Gasket <b>XB<sup>1</sup></b> - Cross Blade Louver <b>WL</b> - Wet Location (Consult Factory)	<table border="1"> <thead> <tr> <th>LAMP</th> <th>MAX. WATTAGE</th> </tr> </thead> <tbody> <tr> <td>A21</td> <td>200w</td> </tr> <tr> <td>PS25</td> <td>200w</td> </tr> <tr> <td>PAR38</td> <td>150w</td> </tr> <tr> <td>R40<sup>1</sup></td> <td>200w</td> </tr> </tbody> </table> <p>*Medium Base</p> <p><b>NOTE:</b> This lamping is for <b>NON-IC</b> only.</p>	LAMP	MAX. WATTAGE	A21	200w	PS25	200w	PAR38	150w	R40 <sup>1</sup>	200w
LAMP	MAX. WATTAGE													
A21	200w													
PS25	200w													
PAR38	150w													
R40 <sup>1</sup>	200w													

<sup>1</sup> For **WS, CS, CSPF, SGS** and **SGSPF** Trims Only

EXAMPLE: SG10IN/ AR1020 WS PG



PROJECT: \_\_\_\_\_  
TYPE: \_\_\_\_\_



Dimensions and values shown are nominal. Spectrum Lighting continually works to improve products and reserves the right to make changes which may alter the performance or appearance of products.