



SCHOOLHOUSE SHADE
INCANDESCENT
 CLASSIC GLASS

PROJECT: _____

QUANTITY: _____ TYPE: _____



SS12INC
 MB - Matte Black



SS12INC
 PT - Platinum Silver



SS12INC
 BZ - Bronze



SS12INC
 SN - Sun Gold

SERIES	MOUNTING ¹	FINISH ³
SS12INC SS14INC SS16INC SS18INC	CEILING MOUNT HM ₂ Hang Straight Pendant AT ₂ Adjustable Length Hang Straight Pendant PM ₂ Pendant/Straight Mount CD ₂ Cord and Cable Mount CM ₂ Cord Mount	MW ⁴ Matte White MB ⁴ Matte Black PT ⁴ Platinum Silver CC Custom Color See Page 4 for Full Range of Color Options (83-90082)

EXAMPLE: SS14INC/HM36/MW

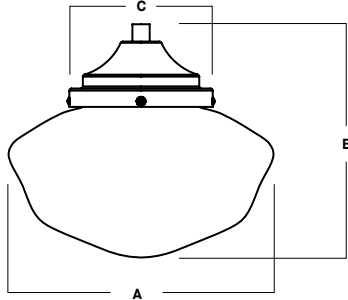
NOTES:
 1 See Mounting Pages Options and Details on Components and Finishes 2 Specify Length in Inches: See Mounting Page for Available Lengths
 3 See Color Page for More Options/Consult Factory for Special Finishes 4 Standard Finish





SCHOOLHOUSE SHADE
INCANDESCENT
 CLASSIC GLASS

HOUSING DIMENSIONS



Dimensioned with **SS12INC**

SERIES	A	B	C
SS12INC	11.7	10.3	6.3
SS14INC	13.1	11.4	6.3
SS16INC	15.9	10.3	6.3
SS18INC	17.9	13.8	6.3

APPLICATION

Decorative glass pendant schoolhouse shade for general area lighting. GV Series is designed for damp or dry locations.

FEATURES

Spectrum Lighting's RLM Classics are inspired by vintage lighting fixtures redesigned with modern LED light sources and materials. The wide range of combinations for lamping, mounting and finishes allows for creative fixture specification and design. Fixtures may be pendant mounted with cable/cord or rigid stem. LED module and driver are serviceable for future replacement. Available in four sizes.

FINISH

Multi-stage polyester powder-coat process applied to our dedicated paint lines. Variety of standard and custom finishes are available.

ELECTRONICS

E26 Edison medium base 120V socket for incandescent or LED lamps.

CONSTRUCTION

Canopy is spun in our factory from 0.063 high purity aluminum. Heat sink and other components are cast aluminum. Glass is seamless opal white.

CODE COMPLIANCE

BAA compliant. ETL certified to meet US and Canadian standards. Suitable for dry or damp locations. Manufactured and tested to UL standards No. 1598/8750.

SERIES SIZES

SS12INC



SS14INC



SS16INC



SS18INC

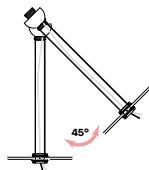
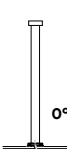
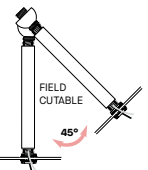
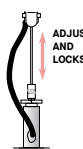



MOUNTING & ACCESSORIES

SOME OPTIONS NOT AVAILABLE ON ALL FIXTURES. CONSULT SPECIFICATION SHEETS. SEE INDIVIDUAL SPECIFICATION SHEETS OR CONSULT FACTORY FOR ADDITIONAL INFORMATION. NOTE: THIS IS TYPICAL OF RLM SPECIFICATION FOR MOUNTING. INDIVIDUAL FIXTURES OR PROJECTS MAY HAVE SPECIALIZED REQUIREMENTS.



CEILING MOUNTING

<p>HM* HANG STRAIGHT 45° SWIVEL 5/8" OD STEM - 3/8" IP</p>  <p>ORDER: HM (Length) SPECIFY LENGTH: HM3 - 3" HM24 - 24" HM6 - 6" HM36 - 36" HM12 - 12" HM48 - 48" HM18 - 18" HM72 - 72" HMLC(XX) Custom Length (Specify in Inches)</p>	<p>PM* RIGID PENDANT MOUNT RIGID 5/8" OD STEM - 3/8" IP</p>  <p>ORDER: PM (Length) SPECIFY LENGTH: PM3 - 3" PM24 - 24" PM6 - 6" PM36 - 36" PM12 - 12" PM48 - 48" PM18 - 18" PM72 - 72" PMLC(XX) Custom Length (Specify in Inches)</p>	<p>AT** HANG STRAIGHT ALL THREAD 45° SWIVEL 5/8" OD STEM - 1/4" IP</p>  <p>ORDER: AT (Length) SPECIFY LENGTH: AT12 - 12" AT48 - 48" AT24 - 24" AT60 - 60" AT36 - 36" AT72 - 72" <small>(FIELD CUTTABLE PIPE CUTTING REQUIRED) SHUN THREADED PIPE SUPPORT COVER OVER THREADED PIPE</small></p>	<p>CD CORD / CABLE MOUNT SJ CORD WITH 1/16 SS CABLE</p>  <p>ORDER: CD (Length) SPECIFY LENGTH: CD36 - 36" CD72 - 72" CD144 - 144" CDLC(XX) Custom Length (Specify in Inches)</p>	<p>CM CORD MOUNT SJ CORD WITH STRAIN RELIEF</p>  <p>ORDER: CM (Length) SPECIFY LENGTH: CM36 - 36" CM72 - 72" CM144 - 144" CMLC(XX) Custom Length (Specify in Inches)</p>
---	--	--	--	--

*MAXIMUM ONE PIECE STEM LENGTH IS 72". **MAXIMUM ONE PIECE STEM LENGTH IS 36". LONGER LENGTHS ARE POSSIBLE USING MULTIPLE STEMS AND COUPLERS.
**ORDER IN 12" INCREMENTS. ODD SIZES MAY BE FIELD CUT

COLOR OPTIONS - POWDER COAT PAINT FINISHES

NOTE: NO PRINTED IMAGE CAN EQUAL THE EXACT COLOR OF FINISH ON METAL.
SEE INDIVIDUAL SPECIFICATION SHEETS OR CONSULT FACTORY FOR ADDITIONAL INFORMATION.



STANDARD CORD / STEM / CANOPY FINISHES

FIXTURE COLOR	STANDARD CORD COLOR	STANDARD CANOPY / STEM COLOR
Matte White, Textured White	Matte White	Matte White
Gloss White	Matte White	Gloss White
Matte Black, Gloss Black, Textured Black	Matte Black	Matte Black
All Others	Matte Black	Same Color as Fixture
Custom Color	Contact Factory	Contact Factory

PAINT TIMES

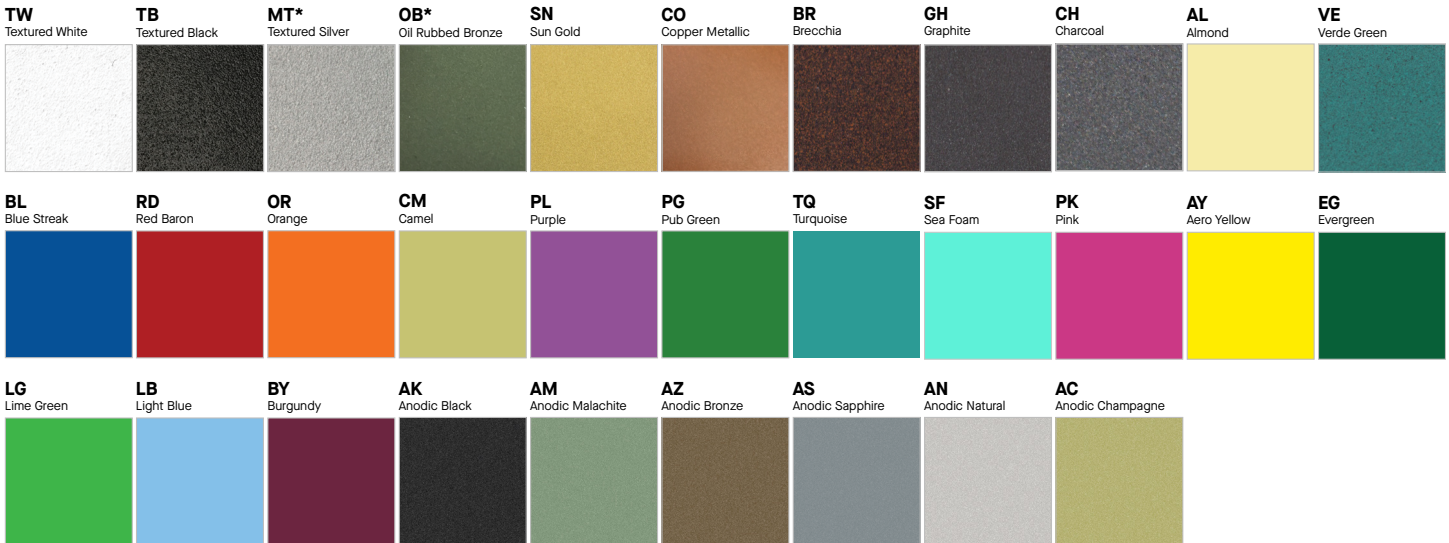
TIER	COST	AVERAGE PAINT TIME*
Tier 1 - Standard Finishes	\$	⓪
Tier 2 - Typical Finishes	\$\$	⓪⓪
Tier 3 - Special Metal Finishes	\$\$\$	⓪⓪⓪
Custom Color	Contact Factory	Contact Factory

*CONTACT FACTORY FOR SPECIFIC PRODUCT LEAD TIMES

TIER 1 - STANDARD FINISHES



TIER 2 - TYPICAL FINISHES



TIER 3 - SPECIAL METAL FINISHES

NOT AVAILABLE ON ALL FIXTURES. PLEASE CONSULT SPECIFICATION SHEETS OR FACTORY FOR AVAILABILITY.



CUSTOM COLOR FINISHES

CONTACT FACTORY

CC
Custom Color



*UNAVAILABLE FOR WET LOCATION

** UNAVAILABLE FOR INTERIOR