

# PENDANT / SURFACE SEMI-DIRECT

## MILLTOWN SERIES

PROJECT: \_\_\_\_\_  
 QUANTITY: \_\_\_\_\_ TYPE: \_\_\_\_\_



SHOWN WITH OPTIONAL WIREGUARD



SERIES	A	B	C	D	E
GL04IND48LX	5.1	4.6	3.8	3.8	48.3
GL04IND96LX	5.1	4.6	3.8	3.8	96.3

## GL04IND48LX, GL04IND96LX

### APPLICATION

Milltown is a 4" wide linear pendant or surface mount for semi-direct illumination.

### FEATURES

Small rectilinear profile for pendant or surface mount applications. Optional wire guard enhances rugged design and aesthetic. LED module and driver are accessible from below for future replacement.

### FINISH

Multi-stage polyester powder-coat process applied on our dedicated paint lines. See mounting and color pages for available finishes. Platinum Silver is standard.

### ELECTRONICS

LED module features high brightness white Nichia LEDs. 3-step MacAdam Ellipse binning with CRI 82 typical. Variety of electronic 120V/277V and dimming drivers available.

### CONSTRUCTION

20ga steel formed housing. High efficiency snap in acrylic lens. 3/16" flush machined aluminum end caps included. Optional wire guard fabricated from formed 4mm solid steel rod.

### OPTICS

Extruded acrylic diffuser features smooth sides providing 90% direct, 10% indirect illumination.

### CODE COMPLIANCE

BAA Compliant. ETL Certified to meet US and Canadian Standards, suitable for dry or damp locations. Manufactured and tested to UL standards 1598/8750.

### WATTAGE / LUMENS DATA

PART NUMBER	SOURCE LUMENS <sup>1</sup>	DELIVERED LUMENS <sup>2</sup>	SYSTEM WATTS	LPW
GL04IND48LX05L	2000	1885	16.0	118
GL04IND48LX07L	2800	2390	21.0	114
GL04IND48LX12L	4800	4373	36.0	121
GL04IND48LX15L	6000	5325	45.0	118
GL04IND48LX20L	8000	6822	60.1	114

SERIES	LUMENS <sup>1</sup>	CCT	DRIVER / VOLTAGE	LENS	MOUNTING <sup>3</sup>	OPTIONS	FINISH
GL04IND48LX GL04IND96LX	05L	500 Lm/Ft	30K 3000K	EX Electronic Driver, 120V/277V DS10X 10%, 0-10V DO10X 1%, 0-10V DS2W1 1%, ELV/MLV, 120V	DW Diffuse White	PM <sup>4</sup> Rigid Pendant Mount HM <sup>4</sup> Hang Straight CHN <sup>4</sup> Chain and Cord CD <sup>4</sup> Cord and Cable Mount SM <sup>5</sup> Surface Mount	PT <sup>6</sup> Platinum Silver MB Matte Black MW Matte White TW Textured White TB Textured Black MT Textured Silver BZ Bronze OB Oil Rubbed Bronze CH Charcoal GH Graphite AC Champagne SN Sun Gold BR Brecchia Rust AN Anodic Natural CO Copper Metallic CC <sup>7</sup> Custom Color
	07L	700 Lm/Ft	35K 3500K				
	12L	1200 Lm/Ft	40K 4000K				
	15L	1500 Lm/Ft					
	20L	2000 Lm/Ft					
						FS Fuse WG Wire Guard	

**EXAMPLE:** GL04IND48LX15L35KDS10XDWPM24WGPT

#### NOTES:

1 Total Nominal Source Lumens 2 Nominal Delivered Lumens at 30K 3 See Mounting Pages for Options and Details on Components and Finishes  
 4 Specify Length in Inches: See Mounting Page for Available 5 May Be Ceiling or Wall Mount 6 Standard Finishes 7 Contact Factory for Special Finishes





# PENDANT / SURFACE SEMI-DIRECT

MILLTOWN SERIES / FIXTURE OPTIONS

## SERIES SIZES

GL04IND48LX



A	B
48.3	4.0
1226.8 mm	101.6 mm

GL04IND96LX



A	B
96.3	4.0
2446.0 mm	101.6 mm

## MOUNTING TYPES

HM / PM

HANG STRAIGHT / RIDGID PENDANT



CHN

CHAIN AND CORD



CD

CORD / CABLE MOUNT



SM

SURFACE MOUNT



## STANDARD FINISHES

MW

MATTE WHITE



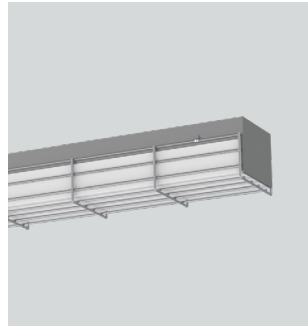
MB

MATTE BLACK



PT

PLATINUM SILVER

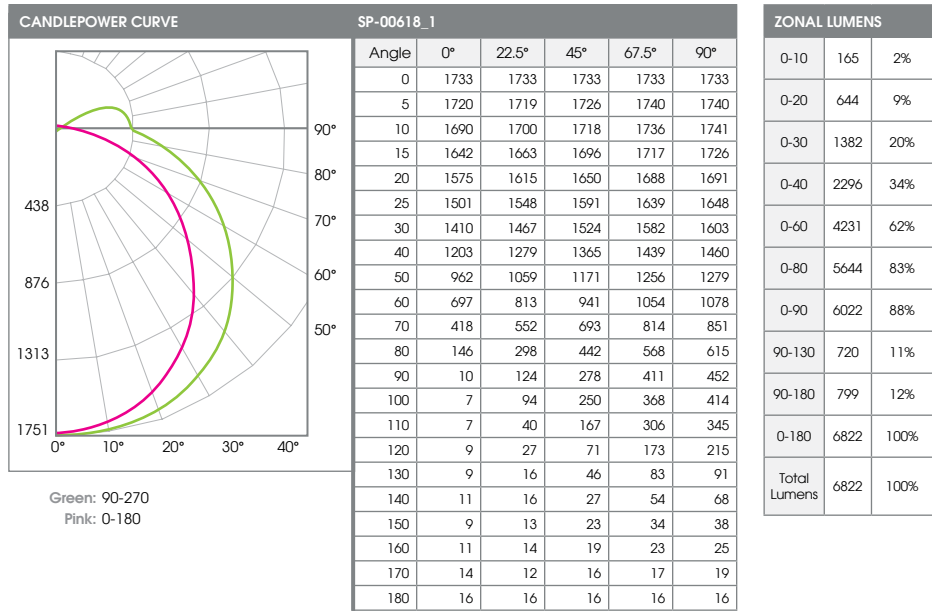




# PENDANT / SURFACE SEMI-DIRECT

MILLTOWN SERIES / PHOTOMETRIC DATA

GL04IND48LX-20L35K-DWEX-xxMW



Delivered Lumens: 6822  
 Luminaire Watts: 60.1  
 LER: 114

CP @ 0° (Nadir): 1733  
 Beam Angle: 112°  
 CRI: 80

Spacing Ratio: 1.22  
 Output Multipliers: 05L x 0.28, 07L x 0.35, 12L x 0.64, 15L x 0.78, 20L x 1.0  
 CCT Multipliers: 30K x .979, 35K x 1.0, 40K x 1.03

