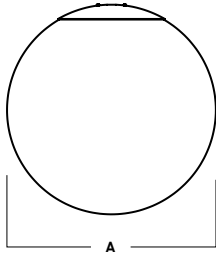




**GIANT GLOBE**  
**RADIUS FITTER PENDANT**  
**INCANDESCENT**  
 GLOBO



**HOUSING DIMENSIONS**



Dimensioned with **GPRF2000INC**

SERIES	A
GPRF1200INC	12.0
GPRF1600INC	16.0
GPRF2000INC	20.0
GPRF2400INC	24.0
GPRF3600INC	36.0

PROJECT: \_\_\_\_\_

QUANTITY: \_\_\_\_\_ TYPE: \_\_\_\_\_

**GPRF-INC**

**APPLICATION**

Seamless opal white acrylic globe fixture for area lighting with Radius Style Fitter. INC Series is designed for covered or indoor dry/damp locations.

**FEATURES**

Spectrum Lighting's RLM Series are interpretations of classic lighting fixtures reimaged with modern incandescent light sources and materials. Five size globes to choose from. Smooth radius fitter. Variety of pendant mounting options. Wide range of combinations for illumination, mounting and finishes allows for creative fixture specification and design. Fixtures may be pendant mounted with cable/cord or rigid stem.

**FINISH**

Multi-stage polyester powder-coat process applied on our dedicated paint lines. A wide variety of standard and custom finishes are available. All exposed materials are chromate pretreated to resist corrosion.

**ELECTRONICS**

E26 Edison medium base 120V socket for incandescent or LED lamps.

**CONSTRUCTION**

Fixture shades are spun in our factory from 0.063 high purity aluminum. Globe is seamless formed .080 white opal acrylic. Color globes available, contact factory.

**CODE COMPLIANCE**

BAA compliant. ETL certified to meet US and Canadian standards. Suitable for dry or damp locations. Manufactured and tested to UL standards No. 1598/8750

SERIES	MOUNTING	FINISH <sup>2</sup>
<b>GPRF1200INC</b> <b>GPRF1600INC</b> <b>GPRF2000INC</b> <b>GPRF2400INC</b> <b>GPRF3600INC</b>	<b>CD_1</b> Cord and Cable Mount <b>CM_1</b> Cord Mount <b>HM_1</b> Hang Straight Pendant <b>PM_1</b> Pendant/Straight Mount <b>AT_1</b> Hang Straight All Thread	<b>MW<sup>3</sup></b> Matte White <b>MB<sup>3</sup></b> Matte Black <b>PT<sup>3</sup></b> Platinum Silver <b>CC</b> Custom Color

EXAMPLE: GPRF1200INC/CD36/MW

**NOTES:**  
 1 Specify Length in inches: See Mounting Page for Available Lengths 2 Reference Color Sheet Located on Product Webpage for Full List of Available Colors 3 Standard Finishes

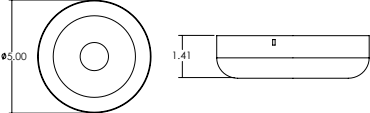
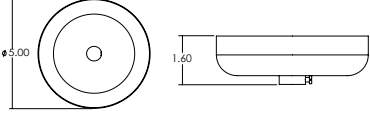
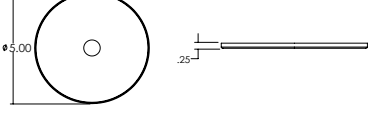
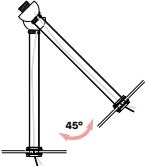
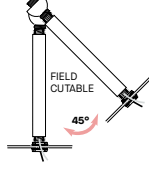

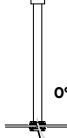
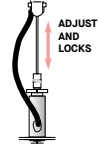



# MOUNTING & ACCESSORIES

SOME OPTIONS NOT AVAILABLE ON ALL FIXTURES. CONSULT SPECIFICATION SHEETS. SEE INDIVIDUAL SPECIFICATION SHEETS OR CONSULT FACTORY FOR ADDITIONAL INFORMATION.  
NOTE: THIS IS TYPICAL OF SPECULUME SPECIFICATION FOR PENDANT MOUNTING. INDIVIDUAL FIXTURES OR PROJECTS MAY HAVE SPECIALIZED REQUIREMENTS.



## CEILING MOUNTING

<p><b>HM/AT</b> HANG STRAIGHT/ HANG STRAIGHT ALL THREAD</p>  <p><b>PM</b> RIGID PENDANT MOUNT</p>  <p><b>CM/CD</b> CORD MOUNT/CORD &amp; CABLE MOUNT</p> 	<p><b>HM*</b> HANG STRAIGHT 45° SWIVEL 1/2" STEM - 3/8" NPT</p>  <p>ORDER: <b>HM</b> (Length) SPECIFY LENGTH: <b>HM3</b> - 3"    <b>HM24</b> - 24" <b>HM6</b> - 6"    <b>HM36</b> - 36" <b>HM12</b> - 12"    <b>HM48</b> - 48" <b>HM18</b> - 18"    <b>HM72</b> - 72"</p> <p><b>HMLC(XX)</b> Custom Length (Specify in Inches)</p>	<p><b>AT**</b> HANG STRAIGHT ALL THREAD 45° SWIVEL 5/8" OD STEM - 1/4" IP</p>  <p>ORDER: <b>AT</b> (Length) SPECIFY LENGTH: <b>AT12</b> - 12"    <b>AT48</b> - 48" <b>AT24</b> - 24"    <b>AT60</b> - 60" <b>AT36</b> - 36"    <b>AT72</b> - 72"</p> <p>FIELD CUT - THREADED PIPE NO SHORTS NEEDED CUT PIPE COVER - 1/4" SHORTER THAN THREADED PIPE SLIP "PIPE COVER" OVER THREADED PIPE</p> 	<p><b>PM*</b> RIGID PENDANT MOUNT RIGID 1/2" STEM - 3/8" NPT</p>  <p>ORDER: <b>PM</b> (Length) SPECIFY LENGTH: <b>PM3</b> - 3"    <b>PM24</b> - 24" <b>PM6</b> - 6"    <b>PM36</b> - 36" <b>PM12</b> - 12"    <b>PM48</b> - 48" <b>PM18</b> - 18"    <b>PM72</b> - 72"</p> <p><b>PMLLC(XX)</b> Custom Length (Specify in Inches)</p>	<p><b>CD</b> CORD / CABLE MOUNT SJ CORD WITH 1/16" SS CABLE</p>  <p>ORDER: <b>CD</b> (Length) SPECIFY LENGTH: <b>CD36</b> - 36" <b>CD72</b> - 72" <b>CD144</b> - 144"</p> <p><b>CDLC(XX)</b> Custom Length (Specify in Inches)</p>	<p><b>CM</b> CORD MOUNT SJ CORD WITH STRAIN RELIEF</p>  <p>ORDER: <b>CM</b> (Length) SPECIFY LENGTH: <b>CM36</b> - 36" <b>CM72</b> - 72" <b>CM144</b> - 144"</p> <p><b>CMLC(XX)</b> Custom Length (Specify in Inches)</p>
--	---	---	--	---	--

\*MAXIMUM ONE PIECE STEM LENGTH IS 72" \*\*MAXIMUM ONE PIECE STEM LENGTH IS 36". LONGER LENGTHS ARE POSSIBLE USING MULTIPLE STEMS AND COUPLERS.  
\*\*ORDER IN 12" INCREMENTS. ODD SIZES MAY BE FIELD CUT

