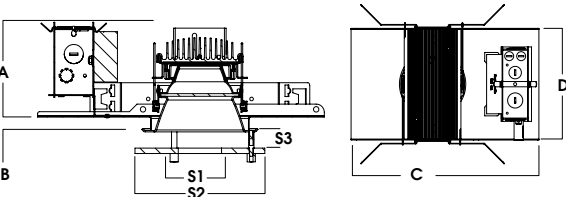
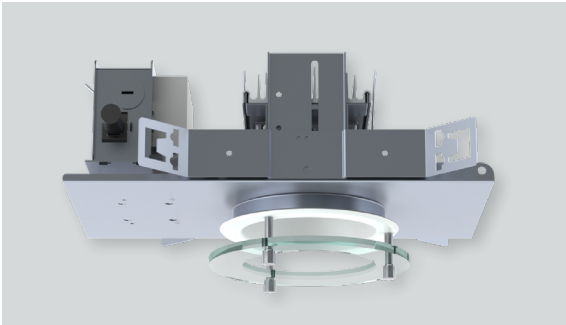




6" ILLUMITECH DECORATIVE ACCENT OS SERIES / 4500 LUMENS MAX



| A | B | C | D | S1 | S2 | S3* |
|------------------|------------------|-------------------|-----------------|-----------------|-----------------|-----------------|
| 4.85 123.2 mm | 0.625 15.9 mm | 13.25 336.6 mm | 7.9 200.7 mm | 6.0 152.4 mm | 8.0 203.2 mm | .75 19.05 mm |

SGE6LEDOS - DECORATIVE TRIM / NON-IC RATED

APPLICATION

Illumitech decorative accent LED series creates ceiling brightness and visual interest while delivering performance illumination.

FEATURES

Decorative accent elements mechanically attach to reflector trim. Two-stage optical system for smooth light distribution. Zhaga International Standard LED module for ease of maintenance and replacement. Shallow plenum design. Tool-less LED module, driver and J-Box access. Multi-Bar mounting brackets. BH27 Standard mounting bars included. Posi-lock trim retention torsion springs. Integral 0.625" collar.

TRIM FINISH

A variety of architectural powdercoat and anodized finishes are available. Matte white flange is standard.

ELECTRONICS

LED module features high brightness white Osram LEDs. 3-step MacAdam Ellipse binning and CRI 84 minimum. Full range of electronic 120V/277V and dimming drivers.

CONSTRUCTION

Housing/frame constructed of #20 ga. galvanized steel to resist corrosion. Decorative accent elements are redered in tempered polished glass or machined polished acrylic. Passive machined aluminum heatsink.

CODE COMPLIANCE

BAA Compliant. Non-IC rated. ETL certified to meet US and Canadian standards. Suitable for dry or damp locations. Optional Wet location. LM79/LM80/TM21 data available. Manufactured and tested to UL standards No. 1598/8750.

| WATTAGE TO LUMENS UPDATE | | | | | | |
|-----------------------------|------------------------------|----------------------------|-------------------------------|--------------|-----|--|
| CURRENT PART NUMBER EXAMPLE | PREVIOUS PART NUMBER EXAMPLE | SOURCE LUMENS ¹ | DELIVERED LUMENS ² | SYSTEM WATTS | LPW | |
| SGE6LEDOS10L | SGE6LEDOS14W | 1100 | 970 | 13 | 78 | |
| SGE6LEDOS20L | SGE6LEDOS25W | 2000 | 1277 | 15 | 84 | |
| SGE6LEDOS30L | SGE6LEDOS35W | 3000 | 1585 | 22 | 71 | |
| SGE6LEDOS45L | N/A | 4500 | 2365 | 30 | 80 | |

| SERIES | LUMENS ¹ | CCT | DRIVER / VOLTAGE ³ | OPTIONS ⁵ | TRIM | FINISH | TRIM OPTIONS | | |
|-----------|---------------------|---------|-------------------------------|--|------------------|---|--------------|--|--|
| SGE6LEDOS | 10L | 1100 Lm | 27K 2700K | E_ Electronic Driver | 1 120V 2 277V | BH27 ⁶ 27" Solid Bars H12 12" - 24" Expandable Bars H06 6" - 12" Expandable Bars CB24 24" C-Channel Bars FS Fusing EB Fixture Painted Black CR Corrosion Resistant PR ⁷ Deep Ceiling Extension GR Goof Ring ZIG ⁸ ZigBee Module BLU ⁹ Bluetooth LE EM ⁹ 7W Emergency Battery Test Switch Remote EMIT ¹⁰ 7W Emergency Battery Test Switch in Trim AMB Anti-Microbial Finish | AR6223OS | MW ¹¹ Matte White MB Matte Black SG Semi-Diffuse HZ Hoze Full Diffuse PT Platinum Silver BZ Bronze OB Oil Rubbed Bronze CH Charcoal AS Anodic Sapphire AN Anodic Natural AC Anodic Champagne AZ Anodic Bronze AK Anodic Black AM Anodic Malachite SN Sun Gold CO Copper Metallic GH Graphite CC ¹² Custom Color | SO ¹³ Micro Prism Solite™ Lens WL Wet Location EMIT ¹⁰ Emergency Test Switch in Trim PF ¹⁴ Polished Flange AMB Anti-Microbial Finish DECORATIVE TRIM 1CFGT Center Frosted Glass Ring/Tier 1CFAT Center Frosted Acrylic Ring/Tier 1FGT Frosted Glass Tier 1FAT Frosted Acrylic Tier 1CGR Clear Glass Ring/Tier 1CAR Clear Acrylic Ring/Tier 1FGR Frosted Glass Ring/Tier 1FAR Frosted Acrylic Ring/Tier 1CCOF 1 Center Clear Outside Edge Frosted Glass Tier |
| | 20L | 2000 Lm | 30K 3000K | DS10_ 10%, 0-10V | | | | | |
| | 30L | 3000 Lm | 35K 3500K | DO10_ 1%, 0-10V | | | | | |
| | 45L | 4500 Lm | 40K 4000K | DS2W1 1%, ELV/MLV, 120V DLTE1 1% Lutron® 2-Wire Forward Phase, 120V DL3E_ 1% Lutron® EcoSystem®, Fade EL10_ 1%, eldoLED ED01_ 0.1%, eldoLED DALI_ DALI Control DMXS ⁴ DMX Standard Configuration DMXC ⁴ DMX Non-Standard Custom | | | | | |

EXAMPLE: SGE6LEDOS20L35KE1/AR6223OSMWSO1CGR

NOTES:
 1 Nominal Source Lumens at 35K 2 Nominal Delivered Lumens 84 CRI at 35K with MW SO 1FGR 3 Contact Factory for Additional Options 4 Contact Factory 5 See Product Options Page for Details 6 Standard Bar Hangers
 7 Contact Factory 8 Order DS101/2 When Specifying ZIG or BLU 9 Standard EM 10 EMIT Suffix Required on Trim and Housing 11 Standard Finish 12 Contact Factory for Special Finishes 13 Required 14 Flange and Reflector Same Finish



PROJECT: _____
 TYPE: _____



Dimensions and values shown are nominal. Spectrum Lighting continually works to improve products and reserves the right to make changes which may alter the performance or appearance of products.

6" ILLUMITECH DECORATIVE ACCENT OS SERIES / PHOTOMETRIC DATA

recessed
fixtures



SGE6LEDOS 30L 35K DS101 AR6223OS MW SO 1CFG7

| CANDLEPOWER CURVE TEST SP-00917 | INTENSITY CANDELA 0° AZIMUTH | ZONAL LUMENS | SINGLE UNIT: PERFORMANCE INITIAL FOOTCANDLES BASED ON IES BEAM ANGLE | MULTIPLE UNITS: PERFORMANCE 80/50/20% REFLECTANCES INITIAL FOOTCANDLES AND WATTS PER SQUARE FOOT |
|------------------------------------|------------------------------------|--------------------|--|--|
| | 0.00° | 0° - 10° 144 7% | Mounting Height AFF | Ceiling Height |
| | 0.00° 1,502 | 0° - 20° 521 25% | FC at Center on Floor | Fixture Spacing |
| | 5.00° 1,499 | 0° - 30° 1,008 47% | Beam Diameter | RCR 2 |
| | 10.00° 1,461 | 0° - 40° 1,493 70% | FC at Beam Edge | FC + W/Sq. Ft. |
| | 15.00° 1,368 | 0° - 60° 1,903 90% | | FC + W/Sq. Ft. |
| | 20.00° 1,204 | 0° - 80° 2,074 98% | | RCR 4 |
| | 30.00° 1,004 | 0° - 90° 2,103 99% | | FC + W/Sq. Ft. |
| | 40.00° 531 | Total 2,124 100% | | Delivered Illuminance Rating: (DIR) |
| | 50.00° 219 | | | 69 FC per W/Sq. Ft. 57 FC per W/Sq. Ft. |
| | 60.00° 122 | | | Recessed Mounting |
| | 70.00° 81 | | | Square rooms used for multiple units: |
| 80.00° 47 | | | - RCR 2: Length & Width = Ceiling Ht. -2.5' x 5.00 | |
| 90.00° 7 | | | - RCR 4: Length & Width = Ceiling Ht. -2.5' x 2.50 | |
| | | | * Average Footcandles at 2.5' Above Floor | |

Delivered Lumens: 2,124
Luminaire Watts: 29.6
LER: 71.76

CP at 0deg (Nadir): 1,502
CRI: 80+

Beam Angle: 72.77
Spacing Ratio: 0.96

Lumen Multiplier: 10L x 0.41, 15L x 0.52, 20L x 0.67
CCT Multiplier: 27K x 0.89, 30K x 0.95, 40K x 1.03

SGE6LEDOS 30L 35K DS101 AR6223OS MW SO 1FG7

| CANDLEPOWER CURVE TEST SP-00920 | INTENSITY CANDELA 0° AZIMUTH | ZONAL LUMENS | SINGLE UNIT: PERFORMANCE INITIAL FOOTCANDLES BASED ON IES BEAM ANGLE | MULTIPLE UNITS: PERFORMANCE 80/50/20% REFLECTANCES INITIAL FOOTCANDLES AND WATTS PER SQUARE FOOT |
|------------------------------------|------------------------------------|--------------------|--|--|
| | 0.00° | 0° - 10° 131 7% | Mounting Height AFF | Ceiling Height |
| | 0.00° 1,383 | 0° - 20° 469 24% | FC at Center on Floor | Fixture Spacing |
| | 5.00° 1,376 | 0° - 30° 880 46% | Beam Diameter | RCR 2 |
| | 10.00° 1,330 | 0° - 40° 1,218 63% | FC at Beam Edge | FC + W/Sq. Ft. |
| | 15.00° 1,243 | 0° - 60° 1,622 84% | | FC + W/Sq. Ft. |
| | 20.00° 1,111 | 0° - 80° 1,847 96% | | RCR 4 |
| | 30.00° 753 | 0° - 90° 1,888 98% | | FC + W/Sq. Ft. |
| | 40.00° 423 | Total 1,924 100% | | Delivered Illuminance Rating: (DIR) |
| | 50.00° 238 | | | 61 FC per W/Sq. Ft. 50 FC per W/Sq. Ft. |
| | 60.00° 160 | | | Recessed Mounting |
| | 70.00° 112 | | | Square rooms used for multiple units: |
| 80.00° 70 | | | - RCR 2: Length & Width = Ceiling Ht. -2.5' x 5.00 | |
| 90.00° 8 | | | - RCR 4: Length & Width = Ceiling Ht. -2.5' x 2.50 | |
| | | | * Average Footcandles at 2.5' Above Floor | |

Delivered Lumens: 1,924
Luminaire Watts: 29.6
LER: 65.00

CP at 0deg (Nadir): 1,383
CRI: 80+

Beam Angle: 61.25
Spacing Ratio: 0.93

Lumen Multiplier: 10L x 0.41, 15L x 0.52, 20L x 0.67
CCT Multiplier: 27K x 0.89, 30K x 0.95, 40K x 1.03

SGE6LEDOS 30L 35K DS101 AR6223OS MW SO 1FGR

| CANDLEPOWER CURVE TEST SP-00918 | INTENSITY CANDELA 0° AZIMUTH | ZONAL LUMENS | SINGLE UNIT: PERFORMANCE INITIAL FOOTCANDLES BASED ON IES BEAM ANGLE | MULTIPLE UNITS: PERFORMANCE 80/50/20% REFLECTANCES INITIAL FOOTCANDLES AND WATTS PER SQUARE FOOT |
|------------------------------------|------------------------------------|--------------------|--|--|
| | 0.00° | 0° - 10° 213 9% | Mounting Height AFF | Ceiling Height |
| | 0.00° 2,242 | 0° - 20° 784 33% | FC at Center on Floor | Fixture Spacing |
| | 5.00° 2,218 | 0° - 30° 1,468 62% | Beam Diameter | RCR 2 |
| | 10.00° 2,152 | 0° - 40° 1,861 79% | FC at Beam Edge | FC + W/Sq. Ft. |
| | 15.00° 2,041 | 0° - 60° 2,207 93% | | FC + W/Sq. Ft. |
| | 20.00° 1,875 | 0° - 80° 2,337 99% | | RCR 4 |
| | 30.00° 1,032 | 0° - 90° 2,351 99% | | FC + W/Sq. Ft. |
| | 40.00° 375 | Total 2,365 100% | | Delivered Illuminance Rating: (DIR) |
| | 50.00° 196 | | | 79 FC per W/Sq. Ft. 67 FC per W/Sq. Ft. |
| | 60.00° 116 | | | Recessed Mounting |
| | 70.00° 61 | | | Square rooms used for multiple units: |
| 80.00° 24 | | | - RCR 2: Length & Width = Ceiling Ht. -2.5' x 5.00 | |
| 90.00° 4 | | | - RCR 4: Length & Width = Ceiling Ht. -2.5' x 2.50 | |
| | | | * Average Footcandles at 2.5' Above Floor | |

Delivered Lumens: 2,365
Luminaire Watts: 29.6
LER: 79.90

CP at 0deg (Nadir): 2,242
CRI: 80+

Beam Angle: 58.38
Spacing Ratio: 0.94

Lumen Multiplier: 10L x 0.41, 15L x 0.52, 20L x 0.67
CCT Multiplier: 27K x 0.89, 30K x 0.95, 40K x 1.03