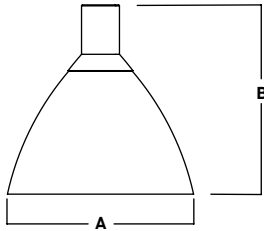




**12" GLASS PENDANT**  
**INCANDESCENT**  
**ICON**



A	B
11.69	11.86
296.9 mm	301.2 mm

PROJECT: \_\_\_\_\_

QUANTITY: \_\_\_\_\_ TYPE: \_\_\_\_\_

**DP12FGINC**

**APPLICATION**

The Icon Pendant series features curved molded glass shade for decorative area lighting. INC Series is designed for indoor damp locations.

**FEATURES**

Speclume series fixtures offer contemporary style with functional luminaire performance. Icon pendants are available in 7" and 12" sizes. Decorative elements are available on some models. Separate finishes may be chosen for fixture and mounting. A variety of mounting and finish options available.

**FINISH**

Multi-stage polyester powder-coat process applied on our dedicated paint lines. A wide variety of standard and custom finishes are available. All exposed materials are chromate pretreated to resist corrosion.

**ELECTRONICS**

E26 Edison medium base 120V socket for incandescent or LED lamps.

**CONSTRUCTION**

Fixtures are spun in our factory from 0.063 high purity aluminum. Shade is heavy wall molded cased glass with white opal inner layer.

**CODE COMPLIANCE**

BAA compliant. ETL certified to meet US and Canadian standards. Suitable for dry or damp locations. Manufactured and tested to UL standards No. 1598/8750

SERIES	MOUNTING/OPTIONS <sup>1</sup>	FINISH <sup>3</sup>	GLASS OPTIONS
<b>DP12FGINC</b>	<b>CD_2</b> Cord and Cable Mount <b>HM_2</b> Hang Straight Pendant <b>AT_2</b> Hang Straight All Thread <b>PM_2</b> Pendant/Straight Mount <b>FS</b> Fuse Holder and Fuse	<b>MW<sup>4</sup></b> Matte White <b>MB<sup>4</sup></b> Matte Black <b>PT<sup>4</sup></b> Platinum Silver <b>CC</b> Custom Color	<b>FG12WH<sup>5</sup></b> White Frosted Cased Glass

**EXAMPLE:** DP12FGINC/CD36MW/FG12WH

**NOTES:**  
 1 See Mounting Pages Options and Details on Components and Finishes 2 Specify Length in Inches: See Mounting Page for Available Lengths  
 3 Reference Color Sheet Located on Product Webpage for Full List of Available Colors/Consult Factory for Special Finishes 4 Standard Finish 5 Consult Factory for Clear or Color Glass Options

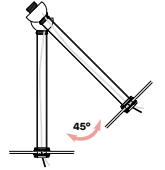
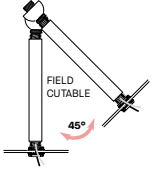

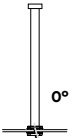
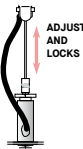


# MOUNTING & ACCESSORIES

SOME OPTIONS NOT AVAILABLE ON ALL FIXTURES. CONSULT SPECIFICATION SHEETS. SEE INDIVIDUAL SPECIFICATION SHEETS OR CONSULT FACTORY FOR ADDITIONAL INFORMATION.  
NOTE: THIS IS TYPICAL OF SPECLUME SPECIFICATION FOR PENDANT MOUNTING. INDIVIDUAL FIXTURES OR PROJECTS MAY HAVE SPECIALIZED REQUIREMENTS.



## CEILING MOUNTING

<p><b>HM*</b> HANG STRAIGHT 45° SWIVEL 1/2" STEM - 3/8" NPT</p>  <p>ORDER: <b>HM</b> (Length) SPECIFY LENGTH: <b>HM3</b> - 3"    <b>HM24</b> - 24" <b>HM6</b> - 6"    <b>HM36</b> - 36" <b>HM12</b> - 12"    <b>HM48</b> - 48" <b>HM18</b> - 18"    <b>HM72</b> - 72" <b>HMLC(XX)</b> Custom Length (Specify in inches)</p>	<p><b>AT**</b> HANG STRAIGHT ALL THREAD 45° SWIVEL 5/8" OD STEM - 1/4" IP</p>  <p>ORDER: <b>AT</b> (Length) SPECIFY LENGTH: <b>AT12</b> - 12"    <b>AT48</b> - 48" <b>AT24</b> - 24"    <b>AT60</b> - 60" <b>AT36</b> - 36"    <b>AT72</b> - 72"</p> <p><small>FIELD CUT THREADED PIPE FIELD LENGTH NEEDED CUT PIPE COVER - 1/4" SHORTER THAN THREADED PIPE SLIP PIPE COVER OVER THREADED PIPE</small></p> 	<p><b>PM*</b> RIGID PENDANT MOUNT RIGID 1/2" STEM - 3/8" NPT</p>  <p>ORDER: <b>PM</b> (Length) SPECIFY LENGTH: <b>PM3</b> - 3"    <b>PM24</b> - 24" <b>PM6</b> - 6"    <b>PM36</b> - 36" <b>PM12</b> - 12"    <b>PM48</b> - 48" <b>PM18</b> - 18"    <b>PM72</b> - 72" <b>PMLLC(XX)</b> Custom Length (Specify in inches)</p>	<p><b>CD</b> CORD / CABLE MOUNT SJ CORD WITH 1/16 SS CABLE</p>  <p>ORDER: <b>CD</b> (Length) SPECIFY LENGTH: <b>CD36</b> - 36" <b>CD72</b> - 72" <b>CD144</b> - 144" <b>CDLC(XX)</b> Custom Length (Specify in inches)</p>
--	---	--	---

\*MAXIMUM ONE PIECE STEM LENGTH IS 72". \*\*MAXIMUM ONE PIECE STEM LENGTH IS 36". LONGER LENGTHS ARE POSSIBLE USING MULTIPLE STEMS AND COUPLERS.  
\*\*ORDER IN 12" INCREMENTS, ODD SIZES MAY BE FIELD CUT

