



**BANCO PENDANT**  
**DAMP LOCATION**  
**GV SERIES**

PROJECT: \_\_\_\_\_

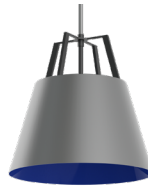
QUANTITY: \_\_\_\_\_ TYPE: \_\_\_\_\_



RG1817GV  
 MB - Matte Black  
 MWI - Matte White Interior  
 SNM - Sun Gold Decorative Arms



RG1817GV  
 MW - Matte White  
 FCI - Fixture Color Interior  
 MBM - Matte Black Decorative Arms



RG1817GV  
 PT - Platinum Silver  
 BLI - Blue Streak Interior  
 MBM - Matte Black Decorative Arms



RG1817GV  
 CH - Charcoal  
 MBI - Matte Black Interior  
 CCM - RD - Red Decorative Arms

SERIES	LUMENS <sup>1</sup>	CCT	DRIVER / DIMMING <sup>2</sup>	MOUNTING <sup>5</sup>	DECO ARM	INTERIOR <sup>9</sup>	FINISH <sup>9</sup>	
RG1817GV	15L 1500 Lm	27K 2700K	<b>EX</b> Electronic Driver, 120V/277V <b>DO10X</b> 1% 0-10V, 120V/277V <b>DS2W1<sup>3</sup></b> ELV/MLV, 120V <b>DLTE1<sup>4</sup></b> Lutron® 2-Wire Forward Phase (MLV), 120V <b>DL3EX<sup>4</sup></b> 1%, Lutron® EcoSystem®, Fades to Black, 120V/277V	<b>RDC5</b> Small Driver Canopy <b>CP13</b> Small Driver Canopy <b>HM<sup>6</sup></b> Hang Straight <b>PM<sup>6</sup></b> Rigid Pendant Mount <b>CD<sup>6</sup></b> Cord / Cable Mount <b>CHN<sup>6</sup></b> Chain / Cord <b>EMCR<sup>7</sup></b> 10W Canopy Mounted EM <b>EMRM</b> 7W Remote EM <b>EMEN</b> 7W Remote with Enclosure	<b>CY<sup>8</sup></b> Same Color as <b>CC<sup>8</sup></b> Shade Custom Color	<b>M</b> Mounting Finish	<b>MW<sup>10</sup></b> Matte White <b>CC<sup>10</sup></b> Custom Color <b>FC<sup>10</sup></b> Fixture Color Interior	<b>I</b> Interior Finish <b>MW<sup>10</sup></b> Matte White <b>MB<sup>10</sup></b> Matte Black <b>PT<sup>10</sup></b> Platinum Silver <b>CC</b> Custom Color
	27L 2700 Lm	30K 3000K						
	37L 3700 Lm	35K 3500K						
	55L 5500 Lm	40K 4000K						

EXAMPLE: RG1817GV27L35KEX/RDC5CHN12SNMMWIMB

**NOTES:**  
 1 Nominal Source Lumens At 35K 2 Contact Factory for Additional Options 3 37L Max with RDC5, 55L Max with CP13 4 Available with CP13 Only 5 See Mounting Page for Details on Components 6 Specify Length in Inches: See Mounting Page for Available Lengths 7 EMCR Replaces RDC5 or CP13 8 Standard Color If Not Specified 9 Reference Color Sheet Located on Product Webpage for Full List of Available Colors 10 Standard Finishes





DECORATIVE

# BANCO PENDANT

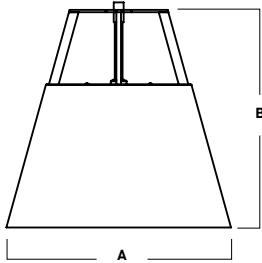
## DAMP LOCATION

### GV SERIES

LUMENS / WATTAGE DATA				
PART NUMBER	SOURCE LUMENS <sup>1</sup>	DELIVERED LUMENS <sup>2</sup>	SYSTEM WATTS	LPW
RG1817GV15L	1500	1105	10	111
RG1817GV27L	2700	1882	18	105
RG1817GV37L	3700	2782	26	107
RG1817GV55L	5500	4092	39	105

<sup>1</sup> Nominal Source Lumens at 35K    <sup>2</sup> Nominal Delivered Lumens at 35K MWI Interior Finish

## HOUSING DIMENSIONS



A	B
18.1 459.7 mm	17.6 447.0 mm

### APPLICATION

Banco Pendant Decorative fixture for general illumination.

### FEATURES

SpecLume series fixtures offer contemporary style with functional luminaire performance. Fixtures are designed and manufactured in our factory. Banco Pendant offers a variety of interior and exterior colors and mountings for a creative design. LED module is interchangeable for ease of maintenance. LED module and driver are serviceable for future replacement.

### FINISH

Multi-stage polyester powder-coat process applied on our dedicated paint lines. A wide variety of standard and custom finishes are available. All exposed materials are chromate pretreated to resist corrosion. Interior is Matte White unless specified. Custom Color interior finish available.

### ELECTRONICS

GV LED system features high brightness white Samsung LED's. 3-step MacAdam Ellipse binning. Standard CRI: 80+. Higher CRI, R9 and custom LED configurations are available; consult factory. Variety of electronic 120V/277V and dimming drivers.

### CONSTRUCTION

Fixtures are spun in our factory from 0.063 high purity aluminum. Passive cast aluminum heat sink for optimal thermal management.

### CODE COMPLIANCE

BAA compliant. ETL certified to meet US and Canadian standards. Suitable for dry or damp locations. Manufactured and tested to UL standards No. 1598/8750.

## SERIES SIZES

RG1817GV



## CEILING MOUNT

(SEE MOUNTING PAGES FOR MORE OPTIONS & CANOPY DIMENSIONS.)

**HM / PM**  
HANG STRAIGHT / PENDANT



RG1817GV SHOWN WITH RDC5PM

**CD**  
CORD / CABLE MOUNT



RG1817GV SHOWN WITH RDC5CD

**CHN**  
CHAIN / CORD



RG1817GV SHOWN WITH RDC5CHN





# BANCO PENDANT

## DAMP LOCATION

### GV SERIES / PHOTOMETRIC DATA

RG1817GV 55L35K EX CD MWI

CANDLEPOWER CURVE TEST SP-00556_1	INTENSITY CANDELA 0° AZIMUTH	ZONAL LUMENS		SINGLE UNIT: PERFORMANCE INITIAL FOOTCANDLES BASED ON IES BEAM ANGLE				MULTIPLE UNITS: PERFORMANCE 80/50/20% REFLECTANCES INITIAL FOOTCANDLES AND WATTS PER SQUARE FOOT						
		0° - 10°	196	5%	Mounting Height AFF	FC at Center on Floor	Beam Diameter	FC at Beam Edge	Ceiling Height	Fixture Spacing	RCR 2		RCR 4	
	0.00°	0° - 10°	196	5%	6.0'	56 fc	11.1'	26 fc	14'	10'	FC +	W/Sq. Ft.	FC +	W/Sq. Ft.
	0.00° 2,006	0° - 20°	755	18%	8.0'	31 fc	14.8'	14 fc	18'	12'	43	0.43	22	0.28
	5.00° 2,012	0° - 30°	1,599	39%	10.0'	20 fc	18.5'	9 fc	22'	14'	21	0.21	25	0.31
	10.00° 2,009	0° - 40°	2,608	64%	12.0'	14 fc	22.3'	6 fc	22'	14'	18	0.18	15	0.18
	15.00° 1,964	0° - 60°	3,692	90%	14.0'	10 fc	26.0'	5 fc	Delivered Illuminance Rating: (DIR)		99 FC per W/Sq. Ft.		81 FC per W/Sq. Ft.	
	20.00° 1,891	0° - 80°	4,069	99%	16.0'	8 fc	29.7'	4 fc	2' Suspension Length Square rooms used for multiple units: - RCR 2: Length & Width = Ceiling Ht. - 4.5' x 5.00 - RCR 4: Length & Width = Ceiling Ht. - 4.5' x 2.50 * Average Footcandles at 2.5' Above Floor					
	30.00° 1,718	0° - 90°	4,092	100%	20.0'	5 fc	37.1'	2 fc						
	40.00° 1,255	Total	4,092	100%	24.0'	3 fc	44.5'	2 fc						
	50.00° 521													
	60.00° 316													
	70.00° 168													
	80.00° 50													
	90.00° 2													

Delivered Lumens: **4,092**  
 Luminaire Watts: **39**  
 LER: **104.92**

CP at 0deg (Nadir): **2,006**  
 CRI: **80**

Beam Angle: **86.8**  
 Spacing Ratio: **1.27**

Lumen Multiplier: **15L x 0.27, 27L x 0.46, 37L x 0.68**  
 CCT Multiplier: **27K x 0.97, 30K x 0.99, 40K x 1.03**

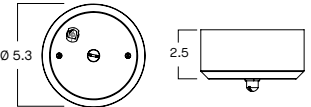
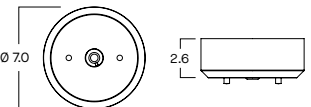
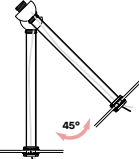
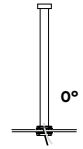
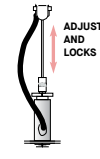



# MOUNTING & ACCESSORIES

SOME OPTIONS NOT AVAILABLE ON ALL FIXTURES. CONSULT SPECIFICATION SHEETS. SEE INDIVIDUAL SPECIFICATION SHEETS OR CONSULT FACTORY FOR ADDITIONAL INFORMATION.  
NOTE: THIS IS TYPICAL OF SPECULUME SPECIFICATION FOR PENDANT MOUNTING. INDIVIDUAL FIXTURES OR PROJECTS MAY HAVE SPECIALIZED REQUIREMENTS.



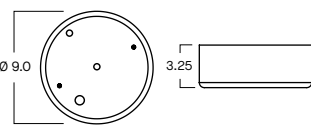
## CEILING MOUNTING

<p><b>RDC5</b> - SMALL DRIVER CANOPY (STANDARD) MOUNTS TO 4" OCTO J-BOX</p>  <p><b>CP13</b> - LARGE DRIVER CANOPY</p> 	<p><b>HM*</b> HANG STRAIGHT 45° SWIVEL 1/2" STEM - 3/8" NPT</p>  <p>ORDER: <b>HM</b> (Length) SPECIFY LENGTH: <b>HM3</b> - 3"    <b>HM24</b> - 24" <b>HM6</b> - 6"    <b>HM36</b> - 36" <b>HM12</b> - 12"    <b>HM48</b> - 48" <b>HM18</b> - 18"    <b>HM72</b> - 72" <b>HMLC(XX)</b> Custom Length (Specify in Inches)</p>	<p><b>PM*</b> RIGID PENDANT MOUNT RIGID 1/2" STEM - 3/8" NPT</p>  <p>ORDER: <b>PM</b> (Length) SPECIFY LENGTH: <b>PM3</b> - 3"    <b>PM24</b> - 24" <b>PM6</b> - 6"    <b>PM36</b> - 36" <b>PM12</b> - 12"    <b>PM48</b> - 48" <b>PM18</b> - 18"    <b>PM72</b> - 72" <b>PMLLC(XX)</b> Custom Length (Specify in Inches)</p>	<p><b>CD</b> CORD / CABLE MOUNT SJ CORD WITH 1/16 SS CABLE</p>  <p>ORDER: <b>CD</b> (Length) SPECIFY LENGTH: <b>CD36</b> - 36" <b>CD72</b> - 72" <b>CD144</b> - 144" <b>CDLC(XX)</b> Custom Length (Specify in Inches)</p>	<p><b>CHN</b> CHAIN MOUNT SJ CORD / DECORATIVE CHAIN</p>  <p>ORDER: <b>CHN</b> (Length) SPECIFY LENGTH: <b>CHN36</b> - 36" <b>CHN72</b> - 72" <b>CHN144</b> - 144" <b>CHNLC(XX)</b> Custom Length (Specify in Inches)</p>
--	--	--	---	--

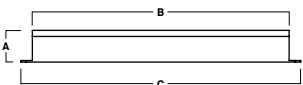
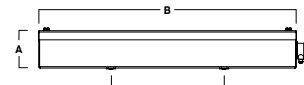
\*MAXIMUM ONE PIECE STEM LENGTH IS 72". LONGER LENGTHS ARE POSSIBLE USING MULTIPLE STEMS AND COUPLERS.

## EMERGENCY BATTERY OPTIONS

**EMCR** - LARGE DRIVER CANOPY FOR TOW EMERGENCY BATTERY (FOR ROUND CEILING MOUNT TYPES)



## REMOTE EMERGENCY BATTERY OPTIONS

<p><b>EMRM*</b> - 7W REMOTE EMERGENCY BATTERY (50' MAX)</p>  <table border="1" data-bbox="576 1018 771 1060"> <thead> <tr> <th>A</th> <th>B</th> <th>C</th> </tr> </thead> <tbody> <tr> <td>1.3</td> <td>12.6</td> <td>13.0</td> </tr> </tbody> </table>	A	B	C	1.3	12.6	13.0	<p><b>EMEN*</b> - 7W REMOTE EMERGENCY BATTERY WITH ENCLOSURE (50' MAX)</p>  <table border="1" data-bbox="933 1018 1128 1060"> <thead> <tr> <th>A</th> <th>B</th> <th>C</th> </tr> </thead> <tbody> <tr> <td>2.0</td> <td>17.0</td> <td>6.2</td> </tr> </tbody> </table>	A	B	C	2.0	17.0	6.2
A	B	C											
1.3	12.6	13.0											
A	B	C											
2.0	17.0	6.2											

\*OTHER EM BATTERY SIZES AVAILABLE, CONSULT FACTORY

