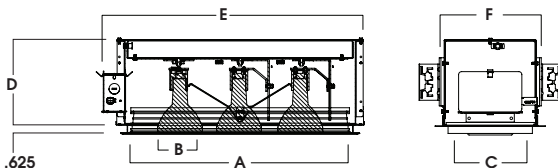
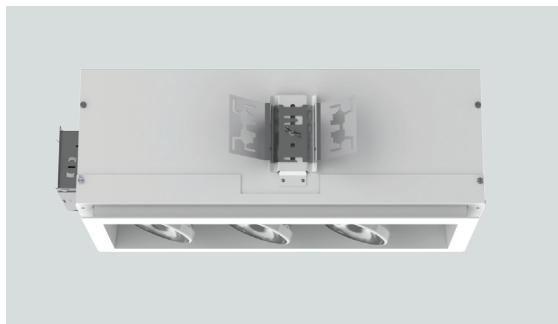
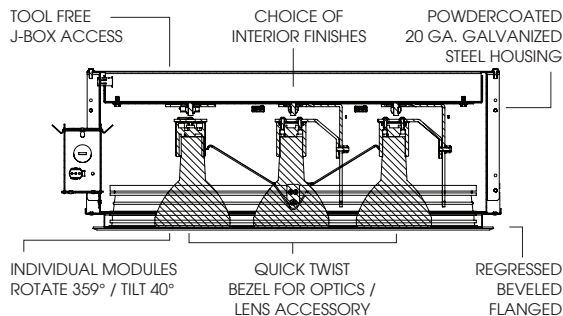




6" MODULAR ACCENT LIGHT REGRESSED BEVELED FLANGED INC SERIES / MULTI-MODULE / 4 x PAR30L



#OF MODULES	APERTURE			H	L	W	CUTOUT
	A	B	C				
1	6.0	3.8	5.9	7.1	10.2	8.5	7.3" x 7.3"
2	12.0	3.8	5.9	7.1	15.8	8.5	7.3" x 13.3"
3	18.0	3.8	5.9	7.1	21.8	8.5	7.3" x 19.3"
4	24.0	3.8	5.9	7.1	27.8	8.5	7.3" x 25.3"

RC6-RT3INC - REGRESSED BEVELED FLANGED / NON-IC RATED APPLICATION

RC series PAR30L Incandescent modular fixture for retail, residential and commercial accent lighting.

FEATURES

Regressed Beveled Flanged for clean finished appearance. Fixture available with 1-4 modules. Fixture modules rotate 359°, lock and tilt to 40° for optimal aiming. Easy j-box access. Multi-bar adjustable mounting brackets. Posi-lock trim attachment. Front loading lamp bezel accepts up to two lens/louwer options. Integral 0.625" collar, with Deep Ceiling Extension (PR) consult factory.

TRIM FINISH

A variety of architectural powdercoat finishes for interior of fixture and trim are available.

ELECTRONICS

120V Incandescent standard. 277V step down transformer available (T277). Maximum wattage label (MWL) for low wattage Halogen or LED lamps.

CONSTRUCTION

Housing constructed of #20 ga. galvanized steel and powdercoated to resist corrosion. Trim fabricated from aluminum extrusion and finished to specification.

CODE COMPLIANCE

ARRA Compliant. Non-IC rated. ETL listed for damp locations. Manufactured and tested to UL standards No. 1598.

SERIES	LAMPS	OPTIONS ¹	INTERIOR	TRIM ⁵	FINISHES ⁶
RC66RT3 1 Module	INCPAR30L	LENS		MWI White MBI Black PTI Platinum BZI Bronze CCI Custom Color	MW ⁷ Matte White MB ⁷ Matte Black PT ⁷ Platinum Silver BZ Bronze CH Charcoal GH Graphite SN Sun Gold AC Champagne AN Anodic Natural CN Caramel WF Matte White Flange CC Custom Color
		SO30 Solite Diffusion GL30 Clear FG30 Frosted SK30 Linear HL30 Hex Louver SN30 Snoot LN30 ² Color Lens			
RC612RT3 2 Modules		OPTIONS		RT266 6" x 6"	
RC618RT3 3 Modules		BH27 27" Flat Bar CB24 24" C-Channel CB48 48" C-Channel FS Fusing T277 277V to 120V Step Down Transformer MWL(**) ³ Max Wattage Label PR ⁴ Deep Plaster Neck		RT2612 6" x 12"	
RC624RT3 4 Modules				RT2618 6" x 18"	
				RT2624 6" x 24"	

EXAMPLE: RC612RT3INCPAR30LBH27MWI/RT2612MW

NOTES:

1 See Product Options Page for Details 2 See Lens Options Page for Details 3 20W, 37W, 50W 4 Contact Factory 5 Inside Trim And Flange Will Match Color Specified 6 Contact Factory for Special Finishes 7 Standard Finishes

Dimensions and values shown are nominal. Spectrum Lighting continually works to improve products and reserves the right to make changes which may alter the performance or appearance of products.



PROJECT:	TYPE:
CAT. NO.:	

