



8" SQUARE DIRECT FOCUSED ILLUMINATION



C0812SQXT, C0816SQXT, C0824SQXT CEILING MOUNT

APPLICATION

8" sq. x 12", 16" or 24" high series cylinder luminaire for accent and general illumination.

FEATURES

Spectrum's Cylinder series provides traditional architectural style with high performance and energy efficient illumination. Rugged design with flexible mounting, finish and LED options make these extremely versatile fixtures. Quick change LED module with interchangeable optics for job site flexibility and fixture upgrade.

FINISH

Multi-stage polyester powder-coat process applied on our dedicated paint lines. See mounting and color pages for standard finishes. All exposed materials are chromate pre-treated to resist corrosion.

ELECTRONICS

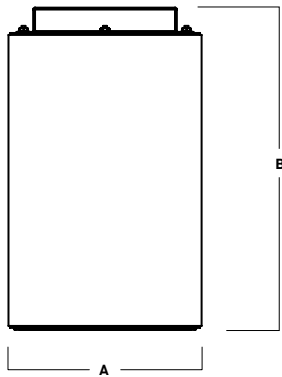
LED system features Xicato LED module with proprietary phosphor technology that provides consistent stable color with CCT control of +/- 100K over life of the light engine. Base CRI is 83 with 2-step MacAdam Ellipse binning. High CRI is 98 with 1 x 2-step MacAdam Ellipse binning. Variety of electronic 120V/277V and dimming drivers.

CONSTRUCTION

Fabricated seamless aluminum fixture housing. Silicone gasket seals optical chamber. Specular primary optical reflectors provide high efficiency illumination. Impact resistant tempered glass lenses. Trim formed from .063 thick high purity aluminum and finished to specification.

CODE COMPLIANCE

BAA compliant. ETL certified to meet US and Canadian standards. Suitable for dry or damp locations. Manufactured and tested to UL standards No. 1598/8750.



SERIES	A	B
C0812SQXT	8.0	12.1
C0816SQXT	8.0	16.1
C0824SQXT	8.0	24.1

Fixture Weight: 19.5 lbs

LUMENS / WATTAGE DATA				
PART NUMBER	SOURCE LUMENS	DELIVERED LUMENS ²	SYSTEM WATTS ³	LPW
C08xxSQXT10L	1000	740	9.1	81
C08xxSQXT13L	1300	998	13.0	77
C08xxSQXT20L	2000	1535	21.7	71
C08xxSQXT30L	3000	2302	32.6	71

SERIES	LMS ¹	CCT	OPTICS	DRIVER / DIMMING ⁶	OPTIONS ⁹	TRIM	MOUNTING ¹³	FINISH ¹⁶
C0812SQXT 8" x 12" Cylinder	10L 1000 Lm	83 CRI	XN ⁵ 13°	EX Electronic Driver, 120V/277V	FS Fuse Holder and Fuse	TCY ¹⁰ Same Color as Cylinder TPT Platinum Silver TCC Custom Color	HM ¹⁴ Hang Straight	MW ¹⁷ Matte White MB ¹⁷ Matte Black PT ¹⁷ Platinum Silver CC Custom Color
		27K 2700K	ND 22°	DS10X 10%, 0-10V, 120V/277V	CR Corrosion Resistant		PM ¹⁴ Rigid Pendant Mount	
C0816SQXT 8" x 16" Cylinder	13L 1300 Lm	30K 3000K	MD 41°	DO10X 1%, 0-10V, 120V/277V			AT ¹⁴ Hang Straight All Thread	
		35K 3500K	WD 48°	DS2W1 ELV/MLV, 120V			CD ^{14/15} Cord / Cable Mount	
C0824SQXT 8" x 24" Cylinder	20L 2000 Lm	40K 4000K	XW 59°	DLTE1 Lutron 2-Wire Forward Phase (MLV), 120V			CD4X ^{14/15} 4 Cable Mount with Cord	
		98 CRI ⁴	DL3EX 1% Lutron® EcoSystem® Fade, 120V/277V	SM Surface Mount				
		27HK 2700K	ED01X 0.1%, eldoLED 120V/277V	CGD ⁹ DMX Large Driver Canopy				
		30HK 3000K	DALIX DALI Control	EMERGENCY BATTERY OPTIONS				
30L 3000 Lm	35HK 3500K	DMXS ^{7/8} DMX Standard Configuration			NL No Lens GL ¹¹ Clear Glass Lens SO ¹² Micro Prism Solite™ Lens		EMCR 10W Canopy Mounted EM	See Page 6 for Full Range of Color Options (83-90095)
	40HK 4000K	DMXC ^{7/8} DMX Non-Standard Custom					EMRM 7W Remote EM EMEN 7W Remote with Enclosure	

EXAMPLE: C0812SQXT20L35KWDEX/TPTSO/HM72/MW

NOTES:

1 Nominal Source Lumens at Any CCT 2 Nominal Delivered Lumens at 83 CRI at Any CCT with WD-TSG-SO 3 At 83 CRI 4 20L Max 5 13L Max/XN not Available with 98 CRI Option
6 Contact Factory for Additional Options 7 Contact Factory 8 CGD Required for DMXS/C 9 See Product Options Page for Details 10 Standard Finish 11 Standard Lens for XN, ND
12 Standard Lens for MD, WD, XW 13 See Mounting Page for Details on Components and Finishes 14 Specify Length in Inches: See Mounting Page for Available Lengths
15 EMxxxx Option Requires 2 Cords 16 See Color Page for More Options/Consult Factory for Special Finishes 17 Standard Finishes

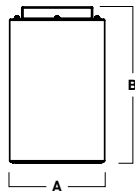


8" SQUARE DIRECT

FOCUSED ILLUMINATION / FIXTURE OPTIONS

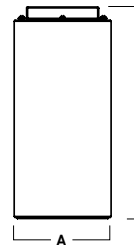


SERIES SIZES



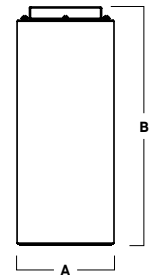
A	B
8.0	12.1
203.2 mm	307.3 mm

CO816SQXT



A	B
8.0	16.1
203.2 mm	408.9 mm

CO824SQXT



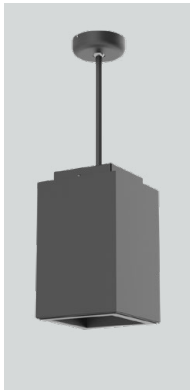
A	B
8.0	24.1
203.2 mm	612.1 mm

STANDARD FINISHES

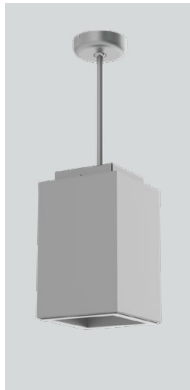
MW
MATTE WHITE



MB
MATTE BLACK

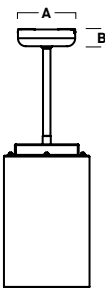


PT
PLATINUM SILVER



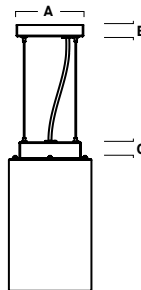
MOUNTING TYPES

HM / PM / AT
HANG STRAIGHT / PENDANT / ALL THREAD



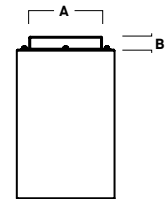
A	B
5.0	1.5
127.0 mm	38.1 mm

CD4X
CORD / CABLE MOUNT



A	B	C
6.5	1.1	1.6
165.1 mm	27.9 mm	40.6 mm

SM
SURFACE MOUNT



A	B
6.0	1.6
152.4 mm	40.6 mm

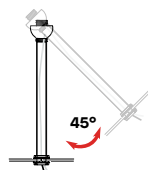
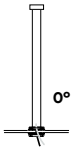
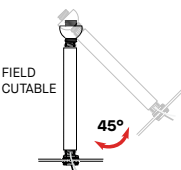
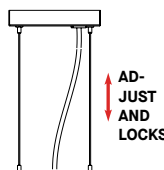
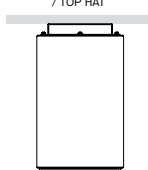
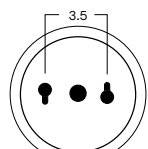


STANDARD MOUNTING & ACCESSORIES

SOME OPTIONS NOT AVAILABLE ON ALL FIXTURES. CONSULT SPECIFICATION SHEETS. SEE INDIVIDUAL SPECIFICATION SHEETS OR CONSULT FACTORY FOR ADDITIONAL INFORMATION.
NOTE: THIS IS TYPICAL OF CYLINDERS SPECIFICATION FOR PENDANT MOUNTING. INDIVIDUAL FIXTURES OR PROJECTS MAY HAVE SPECIALIZED REQUIREMENTS.



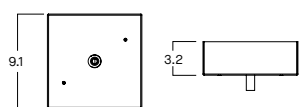
MOUNTING TYPES

<p>HM* HANG STRAIGHT 45° SWIVEL 5/8" OD STEM - 3/8" IP</p>  <p>ORDER: HM (Length) SPECIFY LENGTH: HM3 - 3" HM24 - 24" HM6 - 6" HM36 - 36" HM12 - 12" HM48 - 48" HM18 - 18" HM72 - 72" HMLC(XX) Custom Length (Specify in Inches)</p>	<p>PM* RIGID PENDANT MOUNT RIGID 5/8" OD STEM - 3/8" IP</p>  <p>ORDER: PM (Length) SPECIFY LENGTH: PM3 - 3" PM24 - 24" PM6 - 6" PM36 - 36" PM12 - 12" PM48 - 48" PM18 - 18" PM72 - 72" PMLC(XX) Custom Length (Specify in Inches)</p>	<p>AT** HANG STRAIGHT ALL THREAD 45° SWIVEL 5/8" OD STEM - 1/4" IP</p>  <p>ORDER: AT (Length) SPECIFY LENGTH: AT12 - 12" AT24 - 24" AT36 - 36"</p> <p>FIELD CUT THREADED PIPE TO LENGTH NEEDED CUT PIPE COVER 3/4" SHORTER THAN THREADED PIPE SLIP PIPE COVER OVER THREADED PIPE</p>	<p>CD4X CORD / CABLE MOUNT SJ CORD WITH 1/16 SS CABLE</p>  <p>ORDER: CDX4 (Length) SPECIFY LENGTH: CD4x36 - 36" CD4x72 - 72" CD4x144 - 144" CDLC4X(XX) Custom Length (Specify in Inches)</p>	<p>SM SURFACE MOUNT WIRING COMPARTMENT / TOP HAT</p>  <p>ORDER: SM TOP VIEW CANOPY 3.5</p>  <p>KEY SLOTS MOUNT CANOPY TO WALL JUNCTION BOX. JUNCTION BOX IS COVERED.</p>
--------------------------------------------------------------------------------------------------------------------------------------------------------------------------------------------------------------------------------------------------------------------------------------------------------------------------------------------------------------------------------------------------------------------------------------------------------	---------------------------------------------------------------------------------------------------------------------------------------------------------------------------------------------------------------------------------------------------------------------------------------------------------------------------------------------------------------------------------------------------------------------------------------------------------	------------------------------------------------------------------------------------------------------------------------------------------------------------------------------------------------------------------------------------------------------------------------------------------------------------------------------------------------------------------------------------------------------------------------------------------	---------------------------------------------------------------------------------------------------------------------------------------------------------------------------------------------------------------------------------------------------------------------------------------------------------------------------------------------------------------	------------------------------------------------------------------------------------------------------------------------------------------------------------------------------------------------------------------------------------------------------------------------------------------------------------------------------------------------------------------------------

*MAXIMUM ONE PIECE STEM LENGTH IS 72". **MAXIMUM ONE PIECE STEM LENGTH IS 36". LONGER LENGTHS ARE POSSIBLE USING MULTIPLE STEMS AND COUPLERS.

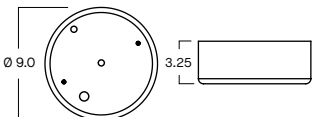
DMX OPTION

CQD - LARGE DRIVER CANOPY FOR DMX OPTIONS

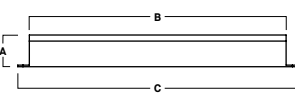
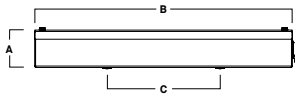


EMERGENCY BATTERY OPTIONS

EMCR - LARGE DRIVER CANOPY FOR 10W EMERGENCY BATTERY



REMOTE EMERGENCY BATTERY OPTIONS

<p>EMRM* - 7W REMOTE EMERGENCY BATTERY (50" MAX)</p>  <table border="1"> <thead> <tr> <th>A</th> <th>B</th> <th>C</th> </tr> </thead> <tbody> <tr> <td>1.3</td> <td>12.6</td> <td>13.0</td> </tr> </tbody> </table>	A	B	C	1.3	12.6	13.0	<p>EMEN* - 7W REMOTE EMERGENCY BATTERY WITH ENCLOSURE (50" MAX)</p>  <table border="1"> <thead> <tr> <th>A</th> <th>B</th> <th>C</th> </tr> </thead> <tbody> <tr> <td>2.0</td> <td>17.0</td> <td>6.2</td> </tr> </tbody> </table>	A	B	C	2.0	17.0	6.2
A	B	C											
1.3	12.6	13.0											
A	B	C											
2.0	17.0	6.2											

*OTHER EM BATTERY SIZES AVAILABLE, CONSULT FACTORY



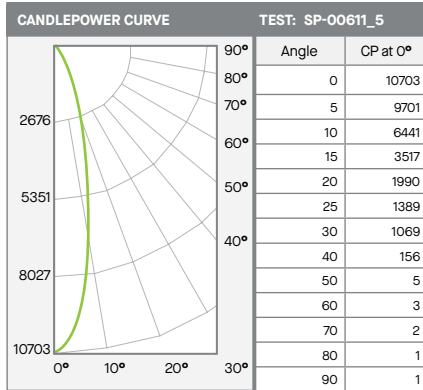
8" SQUARE DIRECT

FOCUSED ILLUMINATION / PHOTOMETRIC DATA



C08xxSQXT-30LxxK-NDEX-TSG-GL

30L NARROW - 83 CRI



Distance	Lumens	%
0-10	776	28%
0-20	1749	64%
0-30	2407	88%
0-40	2699	99%
0-60	2725	100%
0-80	2732	100%
0-90	2737	100%
Total Lumens	2739	100%

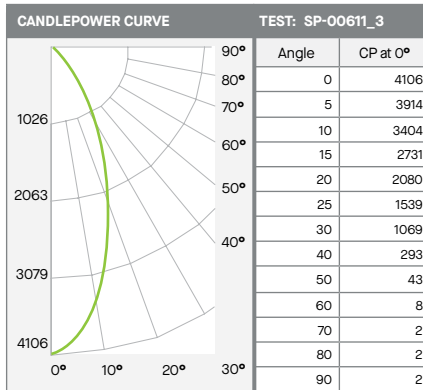
Mounting Height*	FC at Center	Diameter of Beam**	FC at Beam**
5.5'	354	2.1'	170
6.5'	253	2.5'	122
7.5'	190	2.9'	92
8.5'	148	3.3'	71
10.0'	107	3.9'	52
12.0'	74	4.7'	36
14.0'	55	5.5'	26
16.0'	42	6.2'	20

* From aperture to horizontal surface below.
** At IESNA defined Beam Angle, to 50% Max. CP.

Delivered Lumens: 2739 CP @ 0° (Nadir): 10703 Spacing Ratio: 0.4
 Luminaire Watts: 32.6 Beam Angle: 22.1° Output Multipliers: 10L x 0.32, 13L x 0.43, 20L x 0.67
 LER: 84 CRI: 83

C08xxSQXT-30LxxK-MDEX-TSG-SO

30L MEDIUM - 83 CRI



Distance	Lumens	%
0-10	359	15%
0-20	1132	49%
0-30	1857	80%
0-40	2220	95%
0-60	2318	99%
0-80	2327	100%
0-90	2333	100%
Total Lumens	2334	100%

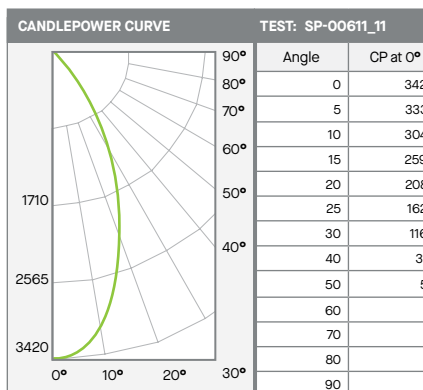
Mounting Height*	FC at Center	Diameter of Beam**	FC at Beam**
5.5'	136	4.1'	60
6.5'	97	4.9'	43
7.5'	73	5.6'	32
8.5'	57	6.4'	25
10.0'	41	7.5'	18
12.0'	29	9.0'	13
14.0'	21	10.5'	9
16.0'	16	12.0'	7

* From aperture to horizontal surface below.
** At IESNA defined Beam Angle, to 50% Max. CP.

Delivered Lumens: 2334 CP @ 0° (Nadir): 4106 Spacing Ratio: 0.64
 Luminaire Watts: 32.6 Beam Angle: 41.1° Output Multipliers: 10L x 0.32, 13L x 0.43, 20L x 0.67
 LER: 72 CRI: 83

C08xxSQXT-30LxxK-WDEX-TSG-SO

30L WIDE - 83 CRI



Distance	Lumens	%
0-10	307	13%
0-20	1021	44%
0-30	1754	76%
0-40	2156	94%
0-60	2284	99%
0-80	2295	100%
0-90	2301	100%
Total Lumens	2302	100%

Mounting Height*	FC at Center	Diameter of Beam**	FC at Beam**
5.5'	113	4.9'	47
6.5'	81	5.8'	34
7.5'	61	6.7'	25
8.5'	47	7.6'	20
10.0'	34	8.9'	14
12.0'	24	10.7'	10
14.0'	17	12.5'	7
16.0'	13	14.2'	6

* From aperture to horizontal surface below.
** At IESNA defined Beam Angle, to 50% Max. CP.

Delivered Lumens: 2302 CP @ 0° (Nadir): 3420 Spacing Ratio: 0.74
 Luminaire Watts: 32.6 Beam Angle: 48° Output Multipliers: 10L x 0.32, 13L x 0.43, 20L x 0.67
 LER: 71 CRI: 83



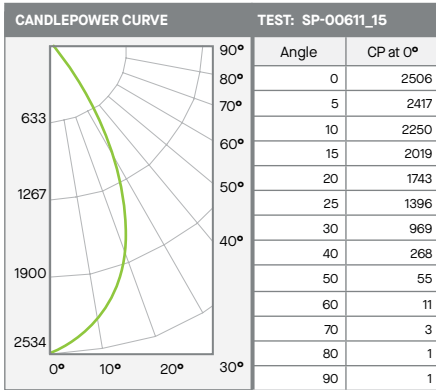
8" SQUARE DIRECT

FOCUSED ILLUMINATION / PHOTOMETRIC DATA



C08xxSQXT-30LxxK-XWEX-TSG-SO

30L XTRA WIDE - 83 CRI



ZONAL LUMENS		
0-10	232	10%
0-20	841	38%
0-30	1574	71%
0-40	2028	91%
0-60	2209	99%
0-80	2221	100%
0-90	2226	100%
Total Lumens	2227	100%

SINGLE UNIT: PERFORMANCE			
INITIAL FOOTCANDLES AND BEAM ANGLE DIAMETERS			
Mounting Height*	FC at Center	Diameter of Beam**	FC at Beam**
5.5'	83	6.2'	31
6.5'	59	7.3'	22
7.5'	45	8.5'	17
8.5'	35	9.6'	13
10.0'	25	11.3'	10
12.0'	17	13.6'	7
14.0'	13	15.8'	5
16.0'	10	18.1'	4

* From aperture to horizontal surface below.
 ** At IESNA defined Beam Angle, to 50% Max. CP.

Delivered Lumens: 2227 CP @ 0° (Nadir): 2506 Spacing Ratio: 0.84
 Luminaire Watts: 32.6 Beam Angle: 58.9° Output Multipliers: 10L x 0.32, 13L x 0.43, 20L x 0.67
 LER: 68 CRI: 83



COLOR OPTIONS - POWDER COAT PAINT FINISHES

NOTE: NO PRINTED IMAGE CAN EQUAL THE EXACT COLOR OF FINISH ON METAL.
SEE INDIVIDUAL SPECIFICATION SHEETS OR CONSULT FACTORY FOR ADDITIONAL INFORMATION.



STANDARD CORD / STEM / CANOPY FINISHES

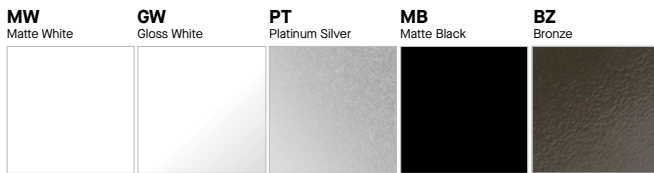
FIXTURE COLOR	STANDARD CORD COLOR	STANDARD CANOPY / STEM COLOR
Matte White, Textured White	Matte White	Matte White
Gloss White	Matte White	Gloss White
Matte Black, Textured Black	Matte Black	Matte Black
All Others	Matte Black	Same Color as Fixture
Custom Color	Contact Factory	Contact Factory

PAINT TIMES

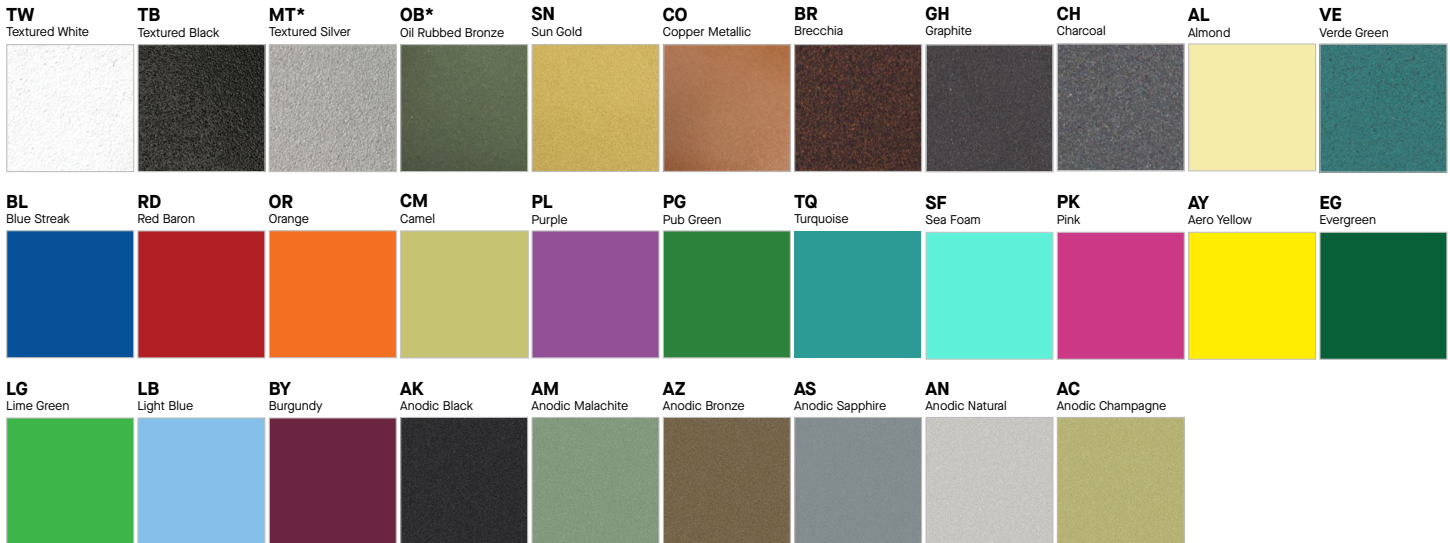
TIER	COST	AVERAGE PAINT TIME*
Tier 1 - Standard Finishes	\$	⌚
Tier 2 - Typical Finishes	\$\$	⌚⌚
Custom Color	Contact Factory	Contact Factory

*CONTACT FACTORY FOR SPECIFIC PRODUCT LEAD TIMES

TIER 1 - STANDARD FINISHES



TIER 2 - TYPICAL FINISHES



CUSTOM COLOR FINISHES

CONTACT FACTORY

CC
Custom Color



*UNAVAILABLE FOR WET LOCATION

