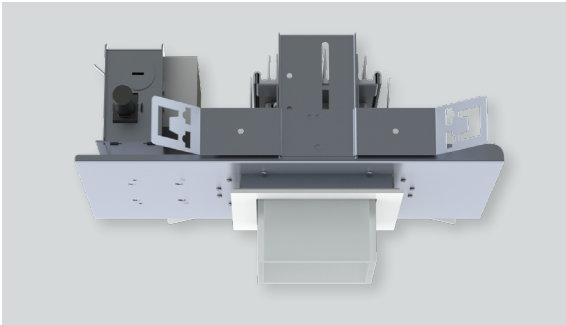




# GEO-METRICS DECORATIVE ACCENT OS SERIES / 4500 LUMENS MAX



## SGE4SQLEDOS - DECORATIVE TRIM / NON-IC RATED

### APPLICATION

Geo-Metrics decorative accent LED series. These create visual focus and ceiling brightness while functioning as a performance downlight.

### FEATURES

Deco-Trim installed directly to the reflector. Can be ordered in 2" and 4" lengths. Two-stage optical system for smooth light distribution. Zhaga International Standard LED module for ease of maintenance and replacement. Tool-less LED module, driver and J-Box access. Multi-Bar mounting brackets. BH27 Standard mounting bars included. Posi-lock trim retention torsion springs. Integral 0.625" collar.

### TRIM FINISH

A variety of powdercoat and anodized finishes are available. Matte white trim and matching self-flange is standard.

### ELECTRONICS

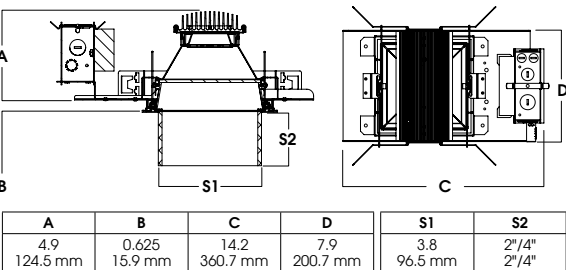
LED module features high brightness white Osram LEDs. 3-step MacAdam Ellipse binning and CRI 84 minimum. Full range of electronic 120V/277V and dimming drivers.

### CONSTRUCTION

Housing/frame constructed of #20 ga. galvanized steel to resist corrosion. Decorative accent cast in 0.25" thick colored acrylic. Material is precision machined and rolled into reflector for a seamless installation with no visible hardware. Acrylic is UV stabilized and soft etched for a durable and uniform finish. Passive machined aluminum heatsink.

### CODE COMPLIANCE

BAA Compliant. Non-IC rated. ETL certified to meet US and Canadian standards. Suitable for dry or damp locations. Optional Wet location. LM79/LM80/TM21 data available. Manufactured and tested to UL standards No. 1598/8750.



WATTAGE TO LUMENS UPDATE			
CURRENT PART NUMBER EXAMPLE	PREVIOUS PART NUMBER EXAMPLE	SOURCE LUMENS <sup>1</sup>	SYSTEM WATTS
SGE4SQLEDOS10L	SGE4SQLEDOS14W	1100	11
SGE4SQLEDOS20L	SGE4SQLEDOS25W	2000	20
SGE4SQLEDOS30L	SGE4SQLEDOS35W	3000	28
SGE4SQLEDOS45L	N/A	4500	41

SERIES	LUMENS <sup>1</sup>	CCT	DRIVER / VOLTAGE <sup>2</sup>	OPTIONS <sup>4</sup>	TRIM	FINISH	TRIM OPTIONS	
SGE4SQLEDOS	10L 1100 Lm	27K 2700K	<b>E</b> Electronic Driver <b>DS10</b> 10%, 0-10V <b>DO10</b> 1%, 0-10V <b>DS2W1</b> 1%, ELV/MLV, 120V <b>DLTE1</b> 1% Lutron® 2-Wire Forward Phase, 120V <b>DL3E</b> 1% Lutron® EcoSystem®, Fade <b>EL10</b> 1%, eldoLED <b>ED01</b> 0.1%, eldoLED <b>DALI</b> DALI Control <b>DMXS<sup>3</sup></b> DMX Standard Configuration <b>DMXC<sup>3</sup></b> DMX Non-Standard Custom	<b>1</b> 120V <b>2</b> 277V	<b>BH27<sup>5</sup></b> 27" Solid Bars <b>H12</b> 12" - 24" Expandable Bars <b>H06</b> 6" - 12" Expandable Bars <b>CB24</b> 24" C-Channel Bars <b>FS</b> Fusing <b>EB</b> Fixture Painted Black <b>CR</b> Corrosion Resistant <b>PR<sup>6</sup></b> Deep Ceiling Extension <b>GR</b> Goof Ring <b>ZIG<sup>7</sup></b> ZigBee Module <b>BLU<sup>7</sup></b> Bluetooth LE <b>EM<sup>8</sup></b> 7W Emergency Battery Test Switch Remote <b>AMB</b> Anti-Microbial Finish	CA0244OS	<b>MW<sup>9</sup></b> Matte White <b>PT</b> Platinum Silver <b>CC<sup>10</sup></b> Custom Color	<b>SO<sup>11</sup></b> Micro Prism Solite™ Lens <b>WL</b> Wet Location <b>PF<sup>12</sup></b> Polished Flange <b>AMB</b> Anti-Microbial Finish
	20L 2000 Lm	30K 3000K						<b>FA4SQ2</b> 2" Deep Frosted
	30L 3000 Lm	35K 3500K						<b>FA4SQ4</b> 4" Square Acrylic 4" Deep Frosted 4" Square Acrylic
	45L 4500 Lm	40K 4000K						

EXAMPLE: SGE4SQLEDOS20L35KE1/CA0244OSMWSOFA4SQ2

NOTES:  
 1 Nominal Source Lumens at 35K 2 Contact Factory for Additional Options 3 Contact Factory 4 See Product Options Page for Details 5 Standard Bar Hangers 6 Contact Factory 7 Order DS101/2 When Specifying ZIG or BLU  
 8 Standard EM 9 Standard Finish 10 Contact Factory for Special Finishes 11 Standard Lens 12 Flange and Reflector Same Finish



PROJECT: \_\_\_\_\_  
 TYPE: \_\_\_\_\_



Dimensions and values shown are nominal. Spectrum Lighting continually works to improve products and reserves the right to make changes which may alter the performance or appearance of products.