



6" POLYMER WET LOCATION NON-IC CONSTRUCTION

Spectrum's Infinium 6" recessed round downlight series features a shallow plenum housing for general illumination.

LUMENS AND WATTAGE CHART			
PART NUMBER	DELIVERED LUMENS ¹	SYSTEM WATTS	LPW
SGDF6FX10L	668	6.6	101
SGDF6FX15L	1038	10.5	99
SGDF6FX20L	1408	14.4	98
SGDF6FX30L	2113	21.9	96
SGDF6FX40L	2853	30	95
SGDF6FX50L	3630	38.3	95

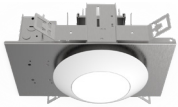
¹ Nominal Delivered Lumens at 35K with MW FAF

PROJECT: _____
 QUANTITY: _____ TYPE: _____



AVAILABLE HOUSING TYPE

SGDF6FX - New Construction



PRODUCT SELECTOR GUIDE

SERIES	LUMENS	CRI / CCT	VOLTAGE	OPTIONS	HOUSING OPTION	TRIM TYPE	TRIM OPTIONS
SGDF6FX						AR6160DFFXMW	FAF
EXAMPLE	15L	35K	DX		BH27	AR6160DFFXMW	FAF

FIXTURE HOUSING SPECIFICATION

SERIES	LUMENS	CRI / CCT	DRIVER / VOLTAGE	EMERGENCY	BAR HANGERS
SGDF6FX	10L 650 Lm	90 Minimum	DX 1%, 0-10V, 120V/277V DS2W1 1%, ELV/TRIAC, 120V	EM Integral Emergency Battery EMRM Remote Emergency Battery Pack Installer Responsible For EM Access	BH27 27" Solid Bars Standard Bar Hangers H12 12" - 24" Expandable Bars CB24 24" C-Channel Bars
	15L 1050 Lm	27HK 2700K			
	20L 1400 Lm	30HK 3000K			
	30L 2100 Lm	35HK 3500K			
	40L 2850 Lm	40HK 4000K			
50L 3650 Lm	80 Minimum	30K 3000K			
Nominal Delivered Lumens at 35K with MW SQ		35K 3500K	40K 4000K	50K 5000K	

- Shower light designed for wet location applications.
- Up to 3600 delivered lumens.
- Single piece molded white acrylic trim piece.
- Trim and lens injection molded UV stabilized polymer.
- Shallow plenum construction.
- L70 at >60,000 Hours at 70% lumens maintenance.
- 5 year warranty on fixture and electronics.
- Sustainable fixture.
- Dry/damp/wet location rated.
- Ease of maintenance.
- Posi-lock trim retention torsion springs.

TRIM SPECIFICATION

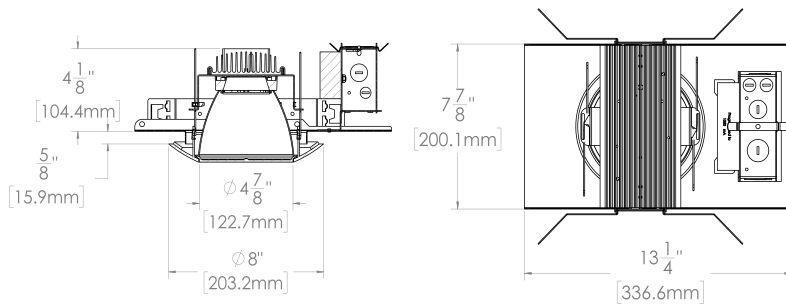
TRIM TYPE	TRIM OPTIONS
AR6160DFFXMW	FAF Flush Acrylic Fresnel Standard Lens



HOUSING DIMENSIONS

SGDF6FX - NEW CONSTRUCTION

Non-IC rated, thermally protected frame-in kit for new construction.



TRIM DATA

AR6160DFFX - DOWNLIGHT



FEATURES

APPLICATION

FX Series 6" round LED downlight with Flush Polymer wet location shower trim.

FEATURES

Shallow plenum construction. Auto dim thermal protector for long term reliability. Zhaga international standard LED module for ease of maintenance and future replacement. Tool-less LED module, driver, and J-Box access. Multi-Bar mounting brackets, fit a variety of mounting bars. Posi-lock trim retention torsion springs. Integral 5/8" (.625) - 1 1/8" (.xxx) collar, works in ceiling up to 1.125" Deep. BH27 Standard mounting bars included. Intended for Non-IC new construction.

TRIM FINISH

Single piece molded white acrylic with choice of lenses.

ELECTRONICS

LED system features high efficacy Philips LEDs. Standard CRI is >80. Drivers are overload and short circuit protected as well as thermally regulated. Sound rating A.

CONSTRUCTION

Housing/frame constructed of #20 ga. galvanized steel to resist corrosion. Trim and lens injection molded UV stabilized polymer. Passive machined aluminum heatsink.

CODE COMPLIANCE

BAA Compliant. Non-IC New Construction only. ETL certified to meet US and Canadian standards. Suitable for dry, damp, and wet location. LM79/LM80 data available. Manufactured and tested to UL standards No. 1598.

RATED LIFE

Rated for 60,000 Hours at 70% lumen maintenance. (L70)



PHOTOMETRIC DATA - 6" POLYMER WET LOCATION

SGDF6FX 50L 35K XX AR6160DFFXMW FAF

CANDLEPOWER CURVE TEST SP-01218	INTENSITY CANDELA 0° AZIMUTH	ZONAL LUMENS	SINGLE UNIT: PERFORMANCE DIRECT FOOTCANDLES BASED ON DOWNLIGHT ONLY				MULTIPLE UNITS: PERFORMANCE 80/50/20% REFLECTANCES INITIAL FOOTCANDLES AND WATTS PER SQUARE FOOT								
			Mounting Height AFF	FC at Center on Floor	Beam Diameter	FC at Beam Edge	Ceiling Height	Fixture Spacing	RCR 2		RCR 4				
	0°	2060	0° - 10°	196	5%	8'	32 fc	9.9'	10 fc	12'	8'	53	0.61	42	0.61
	5°	2065	0° - 20°	670	18%	10'	21 fc	12.4'	6 fc	16'	10'	35	0.41	21	0.30
	15°	1761	0° - 30°	1247	34%	12'	14 fc	14.8'	4 fc	20'	12'	21	0.25	22	0.32
	25°	1262	0° - 40°	1871	52%	14'	11 fc	17.3'	3 fc	Delivered Illuminance Rating: (DIR)		86 FC per W/Sq. Ft.		69 FC per W/Sq. Ft.	
	35°	1001	0° - 60°	3045	84%	16'	8 fc	19.8'	2 fc	Recessed mounting Square rooms used for multiple units: RCR 2: Length & Width = Ceiling Ht. - 2.5' x 5.00 RCR 4: Length & Width = Ceiling Ht. - 2.5' x 2.50 * Average Footcandles at 2.5' Above Floor					
	45°	861	0° - 80°	3594	99%	20'	5 fc	24.7'	2 fc						
	55°	611	0° - 90°	3630	100%	24'	4 fc	29.7'	1 fc						
	90°	4	Total	3630	100%	28'	3 fc	34.6'	1 fc						

Delivered Lumens: 3630
Luminaire Watts: 38.3
LER: 94.78

CP at 0° (Nadir): 2060
CRI: 80+

Beam Angle: 64°
Spacing Ratio: 0.86

Lumen Multiplier: 10L x 0.18, 15L x 0.29, 20L x 0.39, 30L x 0.58, 40L x 0.78
CCT Multiplier: 27HK x 0.77, 30K x 0.96, 40K x 1.03, 50K x 1.04

See Page 1 for System Watts for all outputs

