



# 6" ROUND DOWNLIGHT

## GK SERIES / 10000 LUMENS



### SGES6GK - TRIM FLANGE / NON-IC RATED

#### APPLICATION

6" recessed open aperture high output fixture for high ceiling area lighting.

#### FEATURES

Single stage optical system with deep reflector design delivers smooth general illumination. Multi-Bar mounting brackets. BH27 Standard mounting bars included. Integral 0.625" collar, with plaster option (PR) for up to 1.5" thick ceiling.

#### FINISH

Semi-Diffuse self-flange is standard.

#### ELECTRONICS

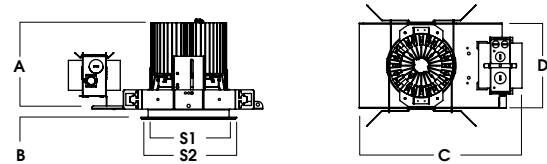
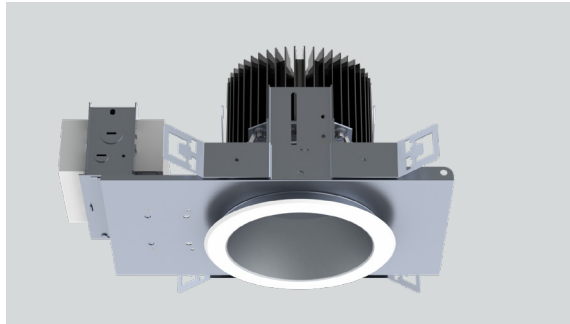
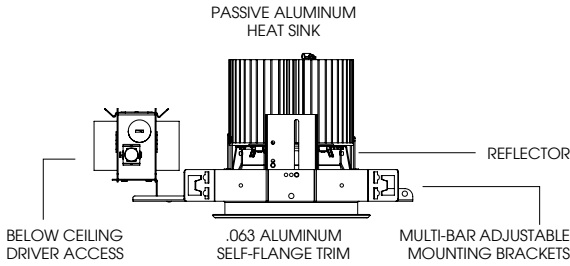
GK LED system features high brightness white LED's. 3-step MacAdam Ellipse binning. Standard CRI: 80+. Higher CRI, is available; consult factory. Variety of electronic 120V/277V and dimming drivers.

#### CONSTRUCTION

Housing/frame constructed of #20 ga. galvanized steel to resist corrosion. Self-flanged one piece trim spun from 0.063" thick high purity aluminum and finished to specification. Extruded and machined 6063-H32 aluminum heatsink.

#### CODE COMPLIANCE

BAA Compliant. Non-IC rated. ETL certified to meet US and Canadian standards. Suitable for dry or damp locations. Manufactured and tested to UL standards No. 1598/8750.



A	B	C	D	S1	S2
7.0 177.8 mm	.625 15.9 mm	15.1 383.5 mm	7.9 200.7 mm	5.7 144.8 mm	7.5 190.5 mm

Ceiling Cutout: Ø 6.3"

WATTAGE / LUMENS DATA				
PART NUMBER	SOURCE LUMENS <sup>1</sup>	DELIVERED LUMENS <sup>2</sup>	SYSTEM WATTS	LPW
SGES6GK 65L	6500	5148	53	97
SGES6GK 100L	10000	8044	82	98

SERIES	LUMENS <sup>1</sup>	CCT	DRIVER / VOLTAGE	OPTIONS <sup>4</sup>	MOUNTING	TRIM	FINISH <sup>7</sup>	FLANGE FINISH	ACCESSORIES
SGES6GK	65L 6500 Lm	27K 2700K	E Electronic Driver 1 120V 2 277V	FS Fusing EM Integral Emergency Battery CR Corrosion Resistant PR <sup>5</sup> Deep Ceiling Extension EB Black Housing	BH27 <sup>6</sup> 12" - 24" Expandable Bars CB24 24" C-Channel Bars	AR6SGK	SG MW Semi-Diffuse Matte White	MF WF <sup>8</sup> Matching Flange White Flange	GS Gasket
	100L 10000 Lm	30K 3000K 35K 3500K 40K 4000K							

**EXAMPLE:** SGES6GK100L30KE1/BH27/AR6SGKSGWF

**NOTES:**  
 1 Nominal Source Lumens 2 Nominal Delivered Lumens at 35K SG 3 Contact Factory 4 See Product Options Page for Details 5 Contact Factory 6 Standard Bar Hangers 7 Contact Factory for Special Finishes  
 8 Only for Use with Non Matte White Finish



PROJECT: \_\_\_\_\_  
 TYPE: \_\_\_\_\_



Dimensions and values shown are nominal. Spectrum Lighting continually works to improve products and reserves the right to make changes which may alter the performance or appearance of products.

# PHOTOMETRIC DATA - 6" ROUND DOWNLIGHT

SGES6GK 100L 35K AR6GK SG

CANDLEPOWER CURVE TEST SP-00927	INTENSITY CANDELA 0° AZIMUTH	ZONAL LUMENS	SINGLE UNIT: PERFORMANCE INITIAL FOOTCANDLES BASED ON IES BEAM ANGLE				MULTIPLE UNITS: PERFORMANCE 80/50/20% REFLECTANCES INITIAL FOOTCANDLES AND WATTS PER SQUARE FOOT							
			Mounting Height AFF	FC at Center on Floor	Beam Diameter	FC at Beam Edge	Ceiling Height	Fixture Spacing	RCR 2		RCR 4			
	0.00°	0° - 10°	480	6%	6.0'	139 fc	10.2'	65 fc	14'	10'	86	0.90	72	0.90
	0.00° 4,988	0° - 20°	1,834	23%	8.0'	78 fc	13.7'	37 fc	18'	12'	48	0.49	40	0.49
	5.00° 4,969	0° - 30°	3,781	47%	10.0'	50 fc	17.1'	23 fc	22'	16'	30	0.31	25	0.31
	10.00° 4,905	0° - 40°	5,754	72%	12.0'	35 fc	20.5'	16 fc	Delivered Illuminance Rating: (DIR)					
	15.00° 4,806	0° - 60°	7,893	98%	14.0'	25 fc	23.9'	12 fc						96 FC per W/Sq. Ft.
	20.00° 4,614	0° - 80°	8,042	100%	16.0'	19 fc	27.3'	9 fc	Recessed Mounting Square rooms used for multiple units: - RCR 2: Length & Width = Ceiling Ht. -2.5' x 5.00 - RCR 4: Length & Width = Ceiling Ht. -2.5' x 2.50 + Average Footcandles at 2.5' Above Floor					
	30.00° 3,760	0° - 90°	8,044	100%	20.0'	12 fc	34.1'	6 fc						
	40.00° 2,554	Total	8,044	100%	24.0'	9 fc	41.0'	4 fc						
	50.00° 1,259													
	60.00° 372													
	70.00° 22													
	80.00° 2													
	90.00° 1													

Delivered Lumens: **8,044**  
Luminaire Watts: **82.4**  
LER: **97.62**

CP at 0deg (Nadir): **4,988**  
CRI: **80+**

Beam Angle: **80.95**  
Spacing Ratio: **1.13**

Lumen Multiplier: **65L x 0.64**  
CCT Multiplier: **27K x 0.95, 30K x 0.98, 40K x 1.00**

SGES6GK 100L 35K AR6GK MW

CANDLEPOWER CURVE TEST SP-00925	INTENSITY CANDELA 0° AZIMUTH	ZONAL LUMENS	SINGLE UNIT: PERFORMANCE INITIAL FOOTCANDLES BASED ON IES BEAM ANGLE				MULTIPLE UNITS: PERFORMANCE 80/50/20% REFLECTANCES INITIAL FOOTCANDLES AND WATTS PER SQUARE FOOT							
			Mounting Height AFF	FC at Center on Floor	Beam Diameter	FC at Beam Edge	Ceiling Height	Fixture Spacing	RCR 2		RCR 4			
	0.00°	0° - 10°	462	6%	6.0'	134 fc	9.2'	64 fc	14'	10'	83	0.90	68	0.90
	0.00° 4,823	0° - 20°	1,723	22%	8.0'	75 fc	12.3'	36 fc	18'	12'	46	0.49	37	0.49
	5.00° 4,820	0° - 30°	3,435	43%	10.0'	48 fc	15.4'	23 fc	22'	16'	29	0.31	24	0.31
	10.00° 4,694	0° - 40°	5,105	64%	12.0'	33 fc	18.5'	16 fc	Delivered Illuminance Rating: (DIR)					
	15.00° 4,508	0° - 60°	7,174	90%	14.0'	25 fc	21.5'	12 fc						92 FC per W/Sq. Ft.
	20.00° 4,203	0° - 80°	7,904	99%	16.0'	19 fc	24.6'	9 fc	Recessed Mounting Square rooms used for multiple units: - RCR 2: Length & Width = Ceiling Ht. -2.5' x 5.00 - RCR 4: Length & Width = Ceiling Ht. -2.5' x 2.50 + Average Footcandles at 2.5' Above Floor					
	30.00° 3,227	0° - 90°	7,959	100%	20.0'	12 fc	30.8'	6 fc						
	40.00° 2,160	Total	7,959	100%	24.0'	8 fc	36.9'	4 fc						
	50.00° 1,188													
	60.00° 661													
	70.00° 345													
	80.00° 125													
	90.00° 1													

Delivered Lumens: **7,959**  
Luminaire Watts: **82.4**  
LER: **96.59**

CP at 0deg (Nadir): **4,823**  
CRI: **80+**

Beam Angle: **75.11**  
Spacing Ratio: **1.04**

Lumen Multiplier: **65L x 0.64**  
CCT Multiplier: **27K x 0.95, 30K x 0.98, 40K x 1.00**

