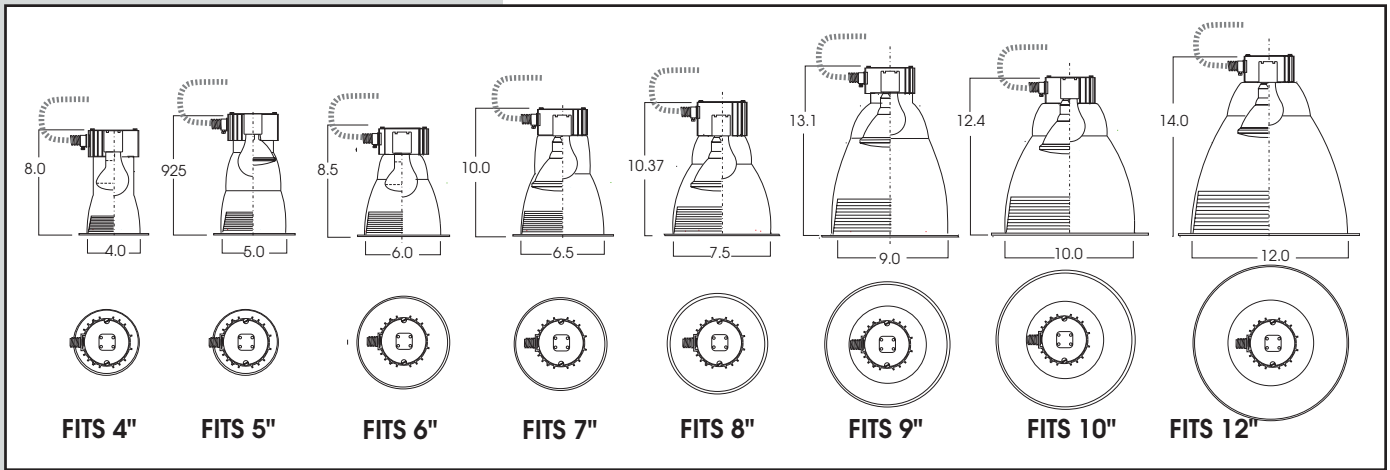


RETROFIT SERIES INCANDESCENT



RETROFIT FEATURES

- Easy to install remodeling system, for installations where frame is existing.
- Custom clips(provided) install into existing frame and allow installation of reflector/bal- last/wiring assembly.
- .063 Heavy gauge reflector, self flange/white flange standard.
- Other finishes and trims may be available.
- Options include extended whip length, goof ring, and fusing.
- 13" whip standard.
- Manufactured and tested to UL standard no. 1598



FITS	MODEL NO	MAX WATTS	REFLECTOR	OPTIONS
4"	SGRT4IN 4" Aperture	75w	AR4115 SG	WP16 - 16" Whip WP27 - 27" Whip NP2 - Hub 2" CR - Corrosion Resistant FS - Fuse holder and fuse GR - Goof Ring * Specify Aperture
5"	SGRT5IN 5" Aperture	75w	AR5215 SG AR5225 WS PA	
6"	SGRT6IN 6" Aperture	75w	AR6415 SG AR6425 WS PA	
7"	SGRT7IN 6 1/2" Aperture	100w	AR7115 SG AR7125 WS PA	
8"	SGRT8IN 7 1/2" Aperture	150w	AR8115 SG AR8125 WS PA	
9"	SGRT9IN 9" Aperture	150w	AR9115 SG AR9125 WS PA	
10"	SGRT10IN 10" Aperture	200w	AR1010 SG AR1020 WS PA	
12"	SGRT12IN 12" Aperture	200w	AR1210 SG AR1220 WS PA	
	SGRT8IN	100	AR8115 SG	

Dimensions shown are nominal. Spectrum Lighting is continually improving products and reserves the right to make changes that will not alter performance or appearance with or without written notice.



PROJECT:	TYPE:
CAT.	

