

SR3

3" ROUND RECESSED

Spectrum's A Spec 3" recessed round downlight series features a shallow plenum housing and variety of trims for accent and general illumination.

LUMENS / WATTAGE DATA			
PART NUMBER	DELIVERED LUMENS ¹	SYSTEM WATTS	LPW
RD3F 07L 35K MD NL	832	7	119
RD3F 10L 35K MD NL	1170	10.3	114
RD3F 15L 35K MD NL	1560	14.1	111
RD3F 20L 35K MD NL	2132	21.1	101
RD3F 25L 35K MD NL	2600	26.3	99

Downlight Shallow 3500K 80CRI Medium Beam No Lens

¹ Performance varies for each trim, CCT, CRI, Beam Spread, Lens option; See Photometry files for data for selected option.

PROJECT: _____
 QUANTITY: _____ TYPE: _____



PRODUCT SELECTOR GUIDE

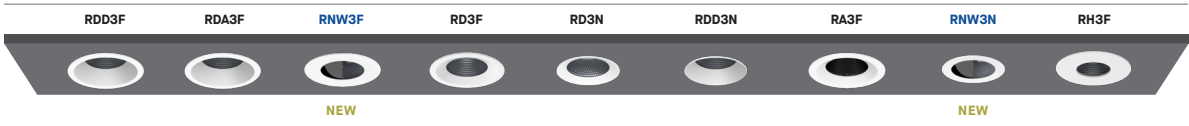
SERIES	LUMENS ¹	CCT	OPTICS	DRIVER / VOLTAGE	OPTIONS	BAR HANGER	TRIM	LUMENS ¹	CCT	OPTICS	FINISH	FLANGE	LENSES	OPTIONS
SR3MO	10L	35K	MD	DS2W1	FS	H12	RD3F	10L	35K	MD	MW	MF	GL	WL

FIXTURE HOUSING SPECIFICATION

SERIES	LUMENS ^{3/4}	CCT	OPTIC ⁵	DRIVER / DIMMING / VOLTAGE	OPTIONS ¹²	BAR HANGER OPTIONS
SR3MO ¹	Non-IC New Construction (Open Frame) 07L 700Lm	80 CRI	XN ⁶ Extra Narrow Beam	120V	FS Fusing EM ^{13/14} Emergency Battery CCEA ¹⁴ Chicago Plenum	H12 12" - 24" Expandable Bars
SR3MC ²	Non-IC New Construction (Closed Frame) 15L 1500Lm	27K 2700K 30K 3000K	ND Narrow Beam MD Medium Beam	DO101 1% 0-10v DS2W1 ELV/Triac		BH27 27" Solid Bars
SR3MI	IC New Construction 20L 2000Lm 25L 2500Lm	35K 3500K 40K 4000K	WD Wide Beam XW ⁷ Extra Wide Beam WW ⁸ Wall Wash EB1 ⁹ Elliptical Beam 1 (63"x29") EB2 ⁹ Elliptical Beam 2 (64"x32")	DLTE1 ^{10/11} 1% Lutron 2-Wire Forward Phase DL3E1 1% Lutron, Ecosystem Fade EL101 1% EldoLED ED011 0.1% EldoLED		CH24 24" C-Channel Bars CH24 24" Chicago Bars
FLANGELESS HOUSINGS / FRAMES		90 CRI		277V		
SR3NMO ¹	Non-IC New Construction (Open Frame) 10L 1000Lm	27K 2700K 30K 3000K		DO102 1% 0-10v DL3E2 1% Lutron, Ecosystem Fade		
SR3NMC ²	Non-IC New Construction (Closed Frame) 15L 1500Lm	35K 3500K 40K 4000K		EL102 1% EldoLED ED012 0.1% EldoLED		
SR3NMI	IC New Construction 20L 2000Lm 25L 2500Lm					

¹ Not Compatible with Adjustable Accent Trims
² For Adjustable Accent Trims and Chicago Plenum Only
³ Lumen Selection Must Match Trim Lumen Selection
⁴ Nominal Delivered Lumens Are Shown Above. Refer to Photometric Data for Delivered Lumens
⁵ See Charts on Page 4 for Beam Angles per Trim
⁶ XN 10L Max. Only Available in Adjustable Accent Trims
⁷ XW Only Available for Downlight and Pinhole Downlight
⁸ WW Optic for Wall Wash Trims Only
⁹ Downlight Only
¹⁰ DLTE1 Not Available 07L
¹¹ DLTE1 20L Max in IC Frame
¹² List Option in Order of Appearance
¹³ EM Requires Above Ceiling Access. Supplied with Remote Mounted Test Switch
¹⁴ EM Not Available in IC Housing or Chicago Plenum Option

AVAILABLE TRIM / MODULE TYPES



TRIM / MODULE SPECIFICATION

TRIM	LUMENS ^{19/20}	CCT	OPTIC ²¹	FINISH ²⁵	FLANGE FINISH ²⁷	LENSES
DOWNLIGHT & PINHOLE DOWNLIGHT	07L 700Lm	80 CRI	DOWNLIGHT & PINHOLE	MW Matte White MB Matte Black PT Platinum Silver CC Custom Color	TRIM WITH FLANGE MF Match Trim Finish WF ²⁸ White Flange	NL ²⁹ No Lens SO ³⁰ Micro Prism Glass Lens GL ³⁰ Clear Glass Lens
RD3F Downlight Shallow Flange	10L 1000Lm	27K 2700K 30K 3000K	ND Narrow Beam (23°) MD Medium Beam (28°) WD Wide Beam (37°)			
RD3N Downlight Shallow Flangeless	15L 1500Lm	35K 3500K 40K 4000K	XW ²² Extra Wide Beam (64°) EB1 ²³ Elliptical Beam 1 (63"x29") EB2 ²³ Elliptical Beam 2 (64"x32")			
RDD3F Downlight Deep Flange	20L 2000Lm					
RDD3N Downlight Deep Flangeless	25L 2500Lm					
RH3F Pinhole Flange						
ADJUSTABLE ACCENT			ADJUSTABLE ACCENT		FLANGELESS TRIM	OPTIONS
RA3F ^{15/16} 30° Adjustable Shallow Flange		90 CRI	XN ²⁴ Extra Narrow Beam (16°) ND Narrow Beam (35°) MD Medium Beam (44°) WD Wide Beam (48°)		No Option Available	WL ²⁹ Wet Location
RDA3F ^{15/16} 30° Adjustable Deep Flange		27K 2700K 30K 3000K 35K 3500K 40K 4000K				
WALL WASH			WW ²⁵ Wall Wash			
RNW3F ^{17/18} Open Wall Wash Flange						
RNW3N ^{17/18} Open Wall Wash Flangeless						

¹⁵ Adjustable Accent Not Available with XW Optic
¹⁶ Adjustable Accent Requires a Closed or IC Frame
¹⁷ Wall Wash Requires WW Optic Option
¹⁸ Wall Wash Not Available with Wet Location and Lens Options
¹⁹ Lumen Selection Must Match Trim Lumen Selection
²⁰ Nominal Delivered Lumens Are Shown Above. Refer to Photometric Data for Delivered Lumens
²¹ See Charts on Page 4 for Beam Angles per Trim
²² XW Only Available for Downlight and Pinhole Downlight
²³ Downlight Only. No Lens Option
²⁴ XN 10L Max. Only Available in Adjustable Accent Trims
²⁵ WW Optic for Wall Wash Trims Only
²⁶ Wall Wash and Pinhole Finish is for Flange Only
²⁷ Option Not Required for Flangeless, Wall Wash and Pinhole Trims
²⁸ For use with Non Matte White Trim Finish
²⁹ WL Not Available with NL or Wall Wash Wash and Pinhole Trims
³⁰ SO and GL Lens Not Available with Wall Wash



COPYRIGHT 2022 SPECTRUM LIGHTING, INC.

FINISH**MW**
Matte White**MB**
Matte Black**PT**
Platinum Silver**CC**
Custom Color**PRODUCT FEATURES**

- Versatile 3" round aperture recessed LED downlights for both Non-IC, IC [insulated ceilings], and Chicago Code with a wide range of lumen outputs and optical systems, and trim options.
- Two-stage optical systems for smooth light distribution and focus control. Tool-less driver and j-box access. "Posi-lock" trim retention springs. Flangeless trims [Plaster ring included with fixture] are available. All frames are capable of installation in ceiling thicknesses from 1/16" to 1" thick.

Adjustable Optic/Trim

- Angle adjustment [up to 30°] and rotation [365°].

NEW Wallwasher Optic/Trim

- Unique, Patent Pending, Multi-stage optical system precision molded for smooth light distribution from the ceiling line to the floor and horizontally across the wall. While providing superior room side brightness control.
- Rotation of Trim [365°] can be done from below the ceiling to ensure proper alignment to the surface to be illuminated.

NEW Elliptical Beam Optics

- Unique Elliptical Beam Pattern Optics can be set and adjusted from below the ceiling to orient the elliptical beam pattern to spread light bi-directionally in a space. Beam pattern changes from the EB1 to the EB2 optical system. [See photometrics]

Trim Finish

- A variety of architectural trim finish options utilizing powdercoat colors. Matte White flange is an Option for non-white finishes

Electronics

- LED system features state of the art, high efficiency LEDs providing consistent stable color with excellent CCT control over the life of the light engine. Base 80 min CRI with 3-step MacAdam ellipse binning. High CRI of 90 min is also available as a standard option.
- Variety of electronic 120/277V and Dimming options are available. Emergency backup version available as standard option.

Construction

- Housing/frames are constructed of Galvanized/Galvanneal steel and/or aluminum to resist rust and corrosion with Integral J-box and snap on covers.

Code Compliance

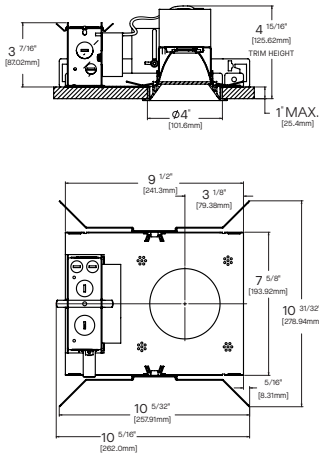
- **cULus** Damp or Wet Location to comply with both US and Canadian standards and codes. Suitable for use in air return plenums.
- Designed, manufactured, and assembled in Fall River, MA, BAA compliant.
- Recyclable materials utilized wherever possible.

HOUSING DIMENSIONS

Ceiling Cutout: 4" Ø

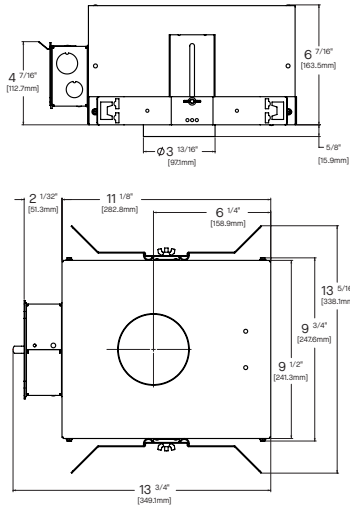
SR3MO - Non-IC New Construction

Non-IC rated, thermally protected frame-in kit for new construction. Non-IC designation requires insulation must be minimum of 3" from housing.



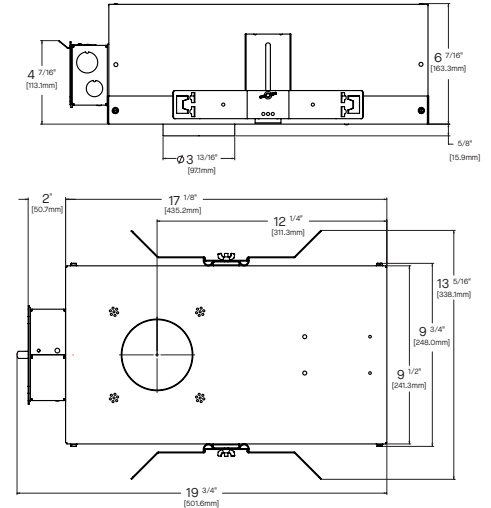
SR3MC - Non-IC New Construction, Adjustable

Non-IC rated, thermally protected frame-in kit for new construction. Non-IC designation requires insulation must be minimum of 3" from housing.



SR3MI - IC New Construction

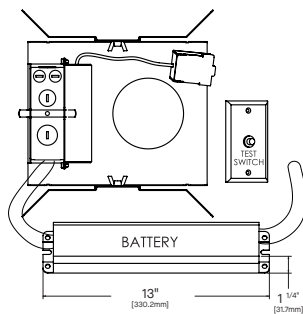
IC rated frame-in kit for new construction with direct insulation contact and CCEA (Chicago Plenum) compatibility.



EMERGENCY BATTERY

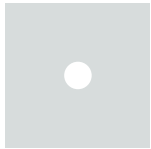
EM - 3" EM Option

EM requires above ceiling access, supplied with remote mounted test switch. Not available in IC Housing or Chicago Plenum option

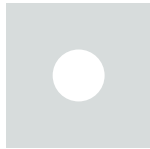


OPTICS

XN - Extra Narrow Beam



ND - Narrow Beam



MD - Medium Beam



WD - Wide Beam



XW - Extra Wide Beam

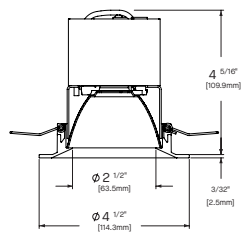


WW - Wall Wash



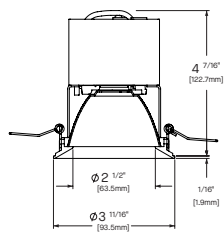
TRIM / MODULE DATA

RD3F - Downlight Shallow Flange



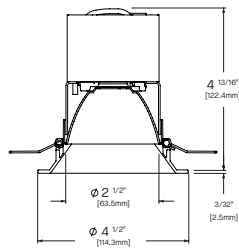
Add 1/8" Height When Using Lens

RD3N - Downlight Shallow Flangeless



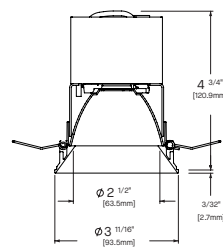
Add 1/8" Height When Using Lens

RDD3F - Downlight Deep Flange



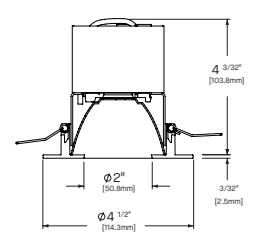
Add 1/8" Height When Using Lens

RDD3N - Downlight Deep Flangeless



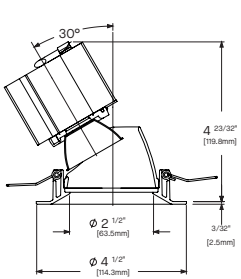
Add 1/8" Height When Using Lens

RH3F - Pinhole Flange

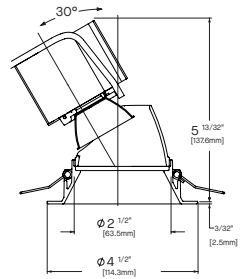


Add 1/8" Height When Using Lens

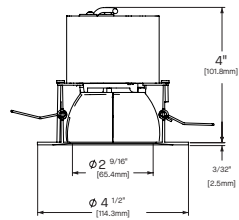
RA3F - 30° Adjustable Shallow Flange



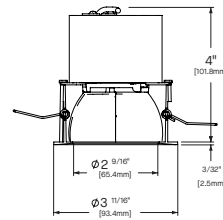
RDA3F - 30° Adjustable Deep Flange



RNW3F - Open Wall Wash Flange



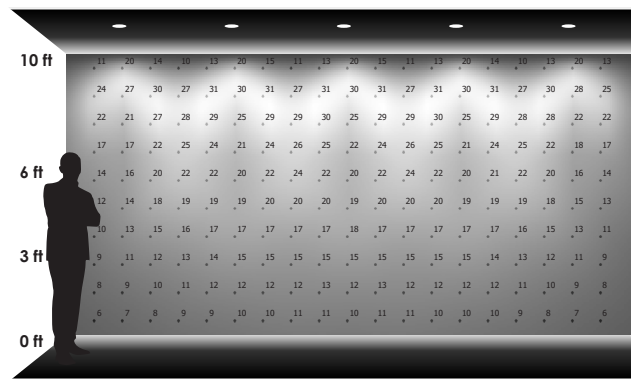
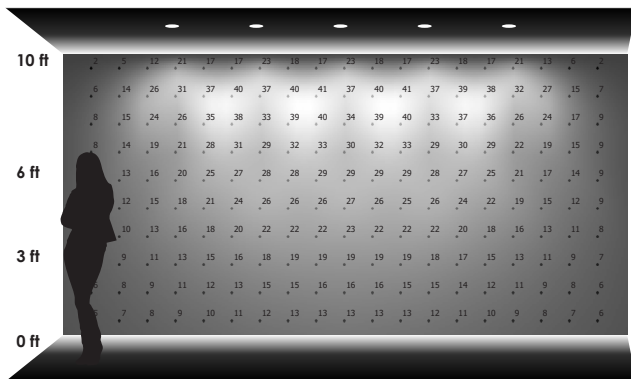
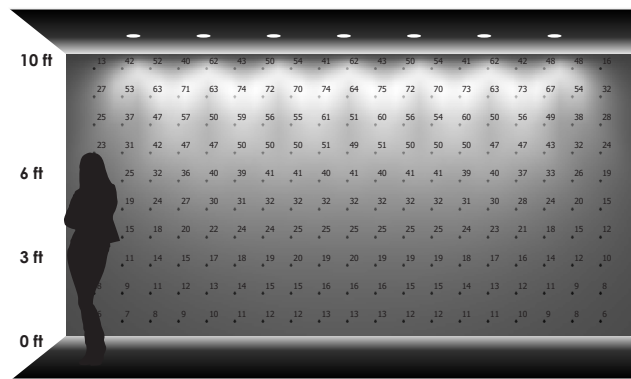
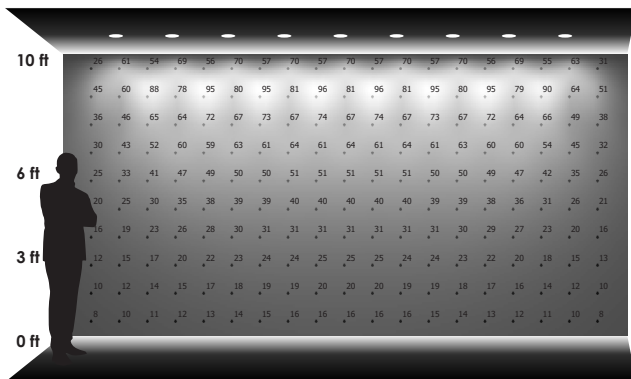
RNW3N - Open Wall Wash Flangeless



SR3Mx 25L 35K WW xx xx RNW3F 25L 35K WW MB NL - Wall Wash

CANDLEPOWER CURVE TEST SP-01423	PERFORMANCE SUMMARY	REFERENCE DIAGRAM
	<p>Delivered Lumens: 1900 Luminaire Watts: 26.3 LER: 72.24 CP at 0deg (Nadir): 1262 CRI: 80 Lumen Multiplier: 10L x 0.44, 15L x 0.60, 20L x 0.82 CCT Multiplier: 27K x 0.95, 30K x 0.97, 40K x 1.03</p>	

PERFORMANCE DATA - INITIAL ILLUMINATION (FOOTCANDLES) ON WALL - DIRECT LIGHT ONLY



SR3Mx 25L 35K EB2 xx xx RD3x 25L 35K EB2 MW xx - Elliptical Beam 2, Shallow

CANDLEPOWER CURVE TEST SP-01427	INTENSITY CANDELA 0° AZIMUTH				ZONAL LUMENS			SINGLE UNIT: PERFORMANCE HORIZONTAL FOOTCANDLES INITIAL DOWNLIGHT ONLY					
	0°	90°	180°	270°	0° - 10°	279	11%	Mtg Height AFF	FC at Center	Beam Length	Beam Width	FC at Beam Edge	
	0°	3134	3134	3134	3134	0° - 20°	877	36%	8'	49 fc	10.0'	4.5'	15 fc
	5°	3108	2902	3122	2889	0° - 30°	1476	60%	10'	31 fc	12.5'	5.7'	10 fc
	15°	2722	1681	2751	1676	0° - 40°	1927	79%	12'	22 fc	15.0'	6.8'	7 fc
	25°	2081	782	2106	784	0° - 60°	2346	96%	14'	16 fc	17.5'	7.9'	5 fc
	35°	1366	319	1350	317	0° - 80°	2440	100%	16'	12 fc	20.0'	9.1'	4 fc
	45°	730	114	686	115	0° - 90°	2444	100%	20'	8 fc	25.0'	11.4'	2 fc
	55°	325	68	303	68	Total	2444	100%	24'	9 fc	30.0'	13.8'	2 fc
	90°	2	2	2	2				28'	4 fc	35.0'	15.9'	1 fc

Delivered Lumens: 2444 CP at 0° (Nadir): 3134 Beam Angle: 64° x 32° Lumen Multiplier: 07L x 0.32, 10L x 0.45, 15L x 0.60, 20L x 0.82
 Luminaire Watts: 26.3 LER: 92.93 Spacing Ratio: 0.92 x 0.52 CCT Multiplier: 27K x 0.94, 30K x 0.96, 40K x 1.03
 CRI: 80

See Page 1 for System Watts for all outputs

Beam Angle: The included angle between those points on opposite sides of the beam axis at which the luminous intensity (candela) emitted by the luminaire is 50% of the maximum candela.

Spacing Ratio: The on-center fixture spacing, divided by the vertical distance from the fixture aperture to the illuminated surface.

To estimate uniform illumination at a horizontal plane, use Spacing Ratio data to determine maximum fixture spacing.

The examples below illustrate concepts for an aisle/hallway, for uniform illumination (FO) at floor, or at 6' above finished floor (AFF). To estimate maximum fixture spacing for uniform illumination, multiply mounting Distance x Spacing Ratio.

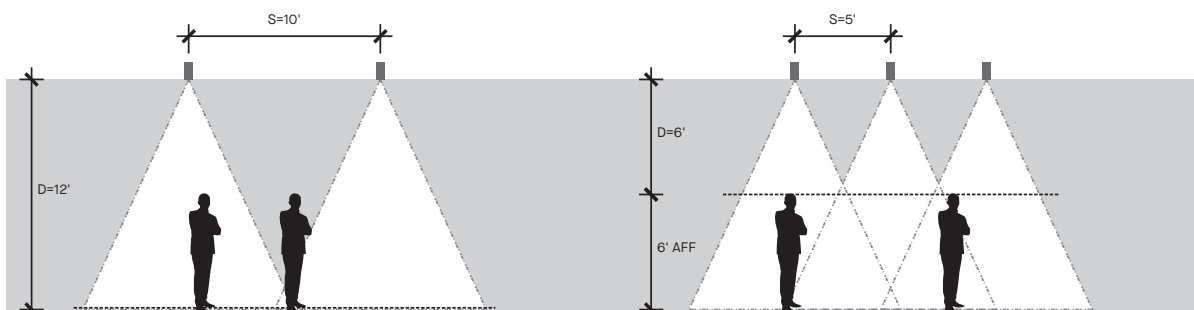
Example A: Uniform FC at Floor

Example B: Uniform FC at 6' AFF



Example A: Uniform FC at Floor

Example B: Uniform FC at 6' AFF



S = Spacing between fixtures
 D = Distance from aperture to horizontal plane

Note: Illumination will also be uniform at < 6' AFF

Spacing Ratio for this optic: 0.92 x 0.52
 With optic oriented as shown, Spacing Ratio should be ≤ 0.92

$$\frac{S}{D} = \frac{10'}{12'} = 0.83$$

$$\frac{S}{D} = \frac{5'}{6'} = 0.83$$

SR3Mx 25L 35K EB2 xx xx RDD3x 25L 35K EB2 MW xx - Elliptical Beam 2, Deep

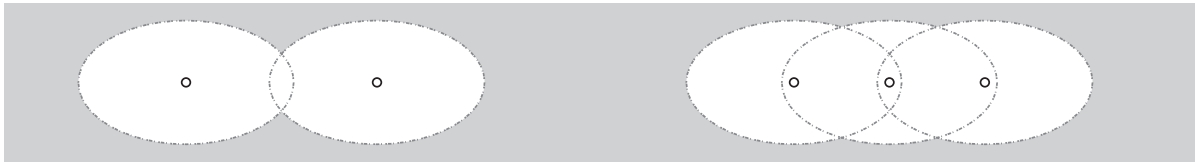
CANDLEPOWER CURVE TEST SP-01426	INTENSITY CANDELA 0° AZIMUTH	ZONAL LUMENS			SINGLE UNIT: PERFORMANCE HORIZONTAL FOOTCANDLES INITIAL DOWNLIGHT ONLY								
		0°	90°	180°	270°	0° - 10°	282	12%	Mtg Height AFF	FC at Center	Beam Length	Beam Width	FC at Beam Edge
	0°	3154	3154	3154	3154	0° - 10°	282	12%	8'	49 fc	10.1'	4.7'	15 fc
	5°	3148	2936	3128	2908	0° - 20°	896	37%	10'	32 fc	12.6'	5.9'	10 fc
	15°	2797	1756	2753	1748	0° - 30°	1529	64%	12'	22 fc	15.1'	7.0'	7 fc
	25°	2160	835	2128	859	0° - 40°	2008	84%	14'	16 fc	17.6'	8.2'	5 fc
	35°	1356	351	1375	392	0° - 60°	2341	98%	16'	12 fc	20.1'	9.4'	4 fc
	45°	567	119	612	131	0° - 80°	2397	100%	20'	8 fc	25.2'	11.7'	2 fc
	55°	140	73	157	77	0° - 90°	2400	100%	24'	5 fc	30.2'	14.0'	2 fc
	90°	2	1	2	2	Total	2400	100%	28'	4 fc	35.2'	16.4'	1 fc

Delivered Lumens: 2400 CP at 0° (Nadir): 3154 Beam Angle: 64° x 33° Lumen Multiplier: 07L x 0.32, 10L x 0.45, 15L x 0.60, 20L x 0.82
 Luminaire Watts: 26.3 LER: 91.25 Spacing Ratio: 0.94 x 0.54 CCT Multiplier: 27K x 0.94, 30K x 0.96, 40K x 1.03
 CRI: 80

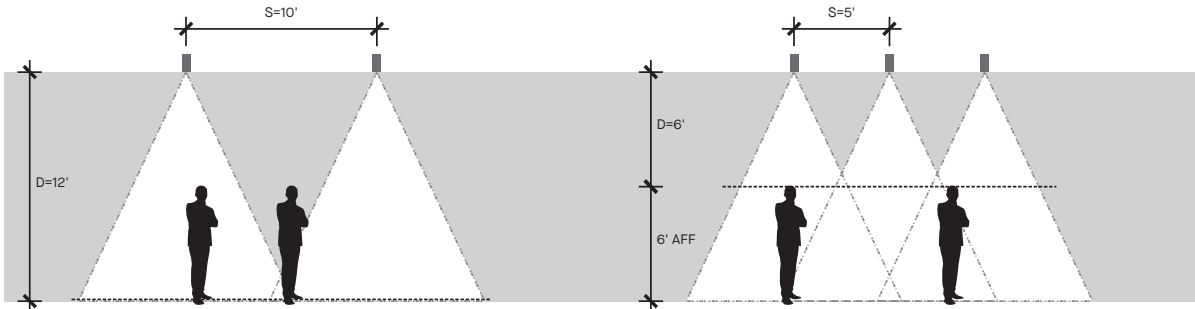
Beam Angle: The included angle between those points on opposite sides of the beam axis at which the luminous intensity (candela) emitted by the luminaire is 50% of the maximum candela.
Spacing Ratio: The on-center fixture spacing, divided by the vertical distance from the fixture aperture to the illuminated surface.
 To estimate uniform illumination at a horizontal plane, use Spacing Ratio data to determine maximum fixture spacing.
 The examples below illustrate concepts for an aisle/hallway, for uniform illumination (FC) at floor, or at 6' above finished floor (AFF). To estimate maximum fixture spacing for uniform illumination, multiply mounting Distance x Spacing Ratio.

Example A: Uniform FC at Floor

Example B: Uniform FC at 6' AFF



64° x 33° Beam Angles oriented for linear, overlapping light pattern



Example A: Uniform FC at Floor

Example B: Uniform FC at 6' AFF

S = Spacing between fixtures
 D = Distance from aperture to horizontal plane

Note: Illumination will also be uniform at < 6' AFF

Spacing Ratio for this optic: 0.94 x 0.54
 With optic oriented as shown, Spacing Ratio should be ≤ 0.94

$$\frac{S}{D} = \frac{10'}{12'} = 0.83$$

$$\frac{S}{D} = \frac{5'}{6'} = 0.83$$

SR3Mx 25L 35K MD xx xx RDD3F 25L 35K MD MW NL - Deep

CANDLEPOWER CURVE TEST SP-01410	INTENSITY CANDELA 0° AZIMUTH	ZONAL LUMENS	SINGLE UNIT: PERFORMANCE HORIZONTAL FOOTCANDLES INITIAL DOWNLIGHT ONLY				MULTIPLE UNITS: PERFORMANCE 80/50/20% REFLECTANCES HORIZONTAL FOOTCANDLES AND WATTS/SQ FT					
			Mounting Distance	FC at Beam Center	Diameter at Beam Angle	FC at Beam Edge	Ceiling Height	Fixture Spacing	RCR 4		RCR 6	
	0°	0° - 10° 625 24%	8'	118 fc	4.1'	54 fc	12'	4'	155	1.68	142	1.69
	0° - 20° 1571 60%	10'	75 fc	5.1'	34 fc	16'						
	5° 7023	0° - 30° 2198 84%	12'	52 fc	6.1'		24 fc	20'	8'	32	0.34	42
	15° 3486	0° - 40° 2519 97%	14'	38 fc	7.1'	17 fc	Delivered Illuminance Rating: (DIR) 92 FC per W/Sq. Ft. 84 FC per W/Sq. Ft.					
	25° 1340	0° - 60° 2575 99%	16'	29 fc	8.1'	13 fc	Recessed mounting Square rooms used for multiple units: RCR 4: Length & Width = Ceiling Ht. - 2.5' x 2.50 RCR 6: Length & Width = Ceiling Ht. - 2.5' x 1.66 * Average Initial Footcandles at 2.5' Above Floor					
	35° 504	0° - 80° 2590 99%	20'	19 fc	10.2'	9 fc						
	45° 40	0° - 90° 2592 100%	24'	13 fc	12.2'	6 fc						
	55° 19	Total 2605 100%	28'	10 fc	14.2'	4 fc						
	90° 2											

Delivered Lumens: 2605
Luminaire Watts: 26.3
LER: 99.05

CP at 0° (Nadir): 7528
CRI: 80

Beam Angle: 29°
Spacing Ratio: 0.47

Lumen Multiplier: 07L x 0.32, 10L x 0.45, 15L x 0.60, 20L x 0.82
CCT Multiplier: 27K x 0.94, 30K x 0.96, 40K x 1.03

See Page 1 for System Watts for all outputs

SR3Mx 25L 35K MD xx xx RDD3F 25L 35K MD MW GL - Deep

CANDLEPOWER CURVE TEST SP-01409	INTENSITY CANDELA 0° AZIMUTH	ZONAL LUMENS	SINGLE UNIT: PERFORMANCE HORIZONTAL FOOTCANDLES INITIAL DOWNLIGHT ONLY				MULTIPLE UNITS: PERFORMANCE 80/50/20% REFLECTANCES HORIZONTAL FOOTCANDLES AND WATTS/SQ FT					
			Mounting Distance	FC at Beam Center	Diameter at Beam Angle	FC at Beam Edge	Ceiling Height	Fixture Spacing	RCR 4		RCR 6	
	0°	0° - 10° 575 24%	8'	107 fc	4.1'	49 fc	12'	4'	141	1.68	130	1.69
	0° - 20° 1452 61%	10'	69 fc	5.1'	31 fc	16'						
	5° 6449	0° - 30° 2023 85%	12'	48 fc	6.2'		22 fc	20'	8'	29	0.34	38
	15° 3213	0° - 40° 2287 96%	14'	35 fc	7.2'	16 fc	Delivered Illuminance Rating: (DIR) 84 FC per W/Sq. Ft. 77 FC per W/Sq. Ft.					
	25° 1240	0° - 60° 2346 99%	16'	27 fc	8.2'	12 fc	Recessed mounting Square rooms used for multiple units: RCR 4: Length & Width = Ceiling Ht. - 2.5' x 2.50 RCR 6: Length & Width = Ceiling Ht. - 2.5' x 1.66 * Average Initial Footcandles at 2.5' Above Floor					
	35° 404	0° - 80° 2360 99%	20'	17 fc	10.3'	8 fc						
	45° 49	0° - 90° 2363 99%	24'	12 fc	12.3'	5 fc						
	55° 19	Total 2375 100%	28'	9 fc	14.4'	4 fc						
	90° 1											

Delivered Lumens: 2375
Luminaire Watts: 26.3
LER: 90.30

CRI: 80

Beam Angle: 29°
Spacing Ratio: 0.48

Lumen Multiplier: 07L x 0.32, 10L x 0.45, 15L x 0.60, 20L x 0.82
CCT Multiplier: 27K x 0.94, 30K x 0.96, 40K x 1.03

See Page 1 for System Watts for all outputs

SR3Mx 25L 35K MD xx xx RDD3F 25L 35K MD MW SO - Deep

CANDLEPOWER CURVE TEST SP-01411	INTENSITY CANDELA 0° AZIMUTH	ZONAL LUMENS	SINGLE UNIT: PERFORMANCE HORIZONTAL FOOTCANDLES INITIAL DOWNLIGHT ONLY				MULTIPLE UNITS: PERFORMANCE 80/50/20% REFLECTANCES HORIZONTAL FOOTCANDLES AND WATTS/SQ FT					
			Mounting Distance	FC at Beam Center	Diameter at Beam Angle	FC at Beam Edge	Ceiling Height	Fixture Spacing	RCR 4		RCR 6	
	0°	0° - 10° 558 23%	8'	105 fc	4.1'	48 fc	12'	4'	144	1.68	132	1.69
	0° - 20° 1438 59%	10'	67 fc	5.1'	31 fc	16'						
	5° 6325	0° - 30° 2030 83%	12'	47 fc	6.2'		21 fc	20'	8'	29	0.34	39
	15° 3179	0° - 40° 2315 95%	14'	34 fc	7.2'	16 fc	Delivered Illuminance Rating: (DIR) 86 FC per W/Sq. Ft. 78 FC per W/Sq. Ft.					
	25° 1258	0° - 60° 2404 99%	16'	26 fc	8.2'	12 fc	Recessed mounting Square rooms used for multiple units: RCR 4: Length & Width = Ceiling Ht. - 2.5' x 2.50 RCR 6: Length & Width = Ceiling Ht. - 2.5' x 1.66 * Average Initial Footcandles at 2.5' Above Floor					
	35° 449	0° - 80° 2425 99%	20'	17 fc	10.3'	8 fc						
	45° 67	0° - 90° 2427 100%	24'	12 fc	12.3'	5 fc						
	55° 33	Total 2438 100%	28'	9 fc	14.4'	4 fc						
	90° 2											

Delivered Lumens: 2438
Luminaire Watts: 26.3
LER: 92.70

CP at 0° (Nadir): 6749
CRI: 80

Beam Angle: 29°
Spacing Ratio: 0.48

Lumen Multiplier: 07L x 0.32, 10L x 0.45, 15L x 0.60, 20L x 0.82
CCT Multiplier: 27K x 0.94, 30K x 0.96, 40K x 1.03

See Page 1 for System Watts for all outputs

SR3Mx 25L 35K ND xx xx RH3F 25L 35K ND MW NL - Pinhole

CANDLEPOWER CURVE TEST SP-01413_1	INTENSITY CANDELA 0° AZIMUTH	ZONAL LUMENS	SINGLE UNIT: PERFORMANCE HORIZONTAL FOOTCANDLES INITIAL DOWNLIGHT ONLY				MULTIPLE UNITS: PERFORMANCE 80/50/20% REFLECTANCES HORIZONTAL FOOTCANDLES AND WATTS/SQ FT					
			Mounting Distance	FC at Beam Center	Diameter at Beam Angle	FC at Beam Edge	Ceiling Height	Fixture Spacing	RCR 6		RCR 8	
	0°	0° - 10° 406 22%	8'	85 fc	3.4'	40 fc	16'	4'	73	1.31	75	1.48
	0°	0° - 20° 999 55%	10'	55 fc	4.3'	26 fc	20'	5'	62	1.12	45	0.88
	5°	0° - 30° 1425 78%	12'	38 fc	5.1'	18 fc	24'	6'	41	0.74	30	0.58
	15°	0° - 40° 1557 85%	14'	28 fc	6.0'	13 fc	Delivered Illuminance Rating: (DIR)					
	25°	0° - 60° 1696 93%	16'	21 fc	6.8'	10 fc	55 FC per W/Sq. Ft. 51 FC per W/Sq. Ft.					
	35°	0° - 80° 1797 96%	20'	14 fc	8.6'	6 fc	Recessed mounting Square rooms used for multiple units: RCR 6: Length & Width = Ceiling Ht. - 2.5' x 1.66 RCR 8: Length & Width = Ceiling Ht. - 2.5' x 1.25 * Average Initial Footcandles at 2.5' Above Floor					
	45°	0° - 90° 1814 99%	24'	9 fc	10.3'	4 fc						
	55°	90° 3	28'	7 fc	12.0'	3 fc						
	90°	Total 1827 100%										

Delivered Lumens: 1827
Luminaire Watts: 26.3
LER: 69.47

CP at 0° (Nadir): 5469
CRI: 80

Beam Angle: 24°
Spacing Ratio: 0.40

Lumen Multiplier: 07L x 0.32, 10L x 0.45, 15L x 0.60, 20L x 0.82
CCT Multiplier: 27K x 0.94, 30K x 0.96, 40K x 1.03

See Page 1 for System Watts for all outputs

SR3Mx 25L 35K ND xx xx RH3F 25L 35K ND MW GL - Pin Hole

CANDLEPOWER CURVE TEST SP-01412_1	INTENSITY CANDELA 0° AZIMUTH	ZONAL LUMENS	SINGLE UNIT: PERFORMANCE HORIZONTAL FOOTCANDLES INITIAL DOWNLIGHT ONLY				MULTIPLE UNITS: PERFORMANCE 80/50/20% REFLECTANCES HORIZONTAL FOOTCANDLES AND WATTS/SQ FT					
			Mounting Distance	FC at Beam Center	Diameter at Beam Angle	FC at Beam Edge	Ceiling Height	Fixture Spacing	RCR 6		RCR 8	
	0°	0° - 10° 369 23%	8'	77 fc	3.4'	36 fc	16'	4'	64	1.31	66	1.48
	0°	0° - 20° 899 56%	10'	49 fc	4.2'	23 fc	20'	5'	55	1.12	39	0.88
	5°	0° - 30° 1261 79%	12'	34 fc	5.1'	16 fc	24'	6'	36	0.74	26	0.58
	15°	0° - 40° 1369 86%	14'	25 fc	5.9'	12 fc	Delivered Illuminance Rating: (DIR)					
	25°	0° - 60° 1498 94%	16'	19 fc	6.8'	9 fc	49 FC per W/Sq. Ft. 45 FC per W/Sq. Ft.					
	35°	0° - 80° 1575 99%	20'	12 fc	8.5'	6 fc	Recessed mounting Square rooms used for multiple units: RCR 6: Length & Width = Ceiling Ht. - 2.5' x 1.66 RCR 8: Length & Width = Ceiling Ht. - 2.5' x 1.25 * Average Initial Footcandles at 2.5' Above Floor					
	45°	0° - 90° 1584 99%	24'	9 fc	10.2'	4 fc						
	55°	90° 2	28'	6 fc	11.9'	3 fc						
	90°	Total 1595 100%										

Delivered Lumens: 1595
Luminaire Watts: 26.3
LER: 60.65

CP at 0° (Nadir): 4938
CRI: 80

Beam Angle: 24°
Spacing Ratio: 0.40

Lumen Multiplier: 07L x 0.32, 10L x 0.45, 15L x 0.60, 20L x 0.82
CCT Multiplier: 27K x 0.94, 30K x 0.96, 40K x 1.03

See Page 1 for System Watts for all outputs

SR3Mx 25L 35K ND xx xx RH3F 25L 35K ND MW SO - Pin Hole

CANDLEPOWER CURVE TEST SP-01414_1	INTENSITY CANDELA 0° AZIMUTH	ZONAL LUMENS	SINGLE UNIT: PERFORMANCE HORIZONTAL FOOTCANDLES INITIAL DOWNLIGHT ONLY				MULTIPLE UNITS: PERFORMANCE 80/50/20% REFLECTANCES HORIZONTAL FOOTCANDLES AND WATTS/SQ FT					
			Mounting Distance	FC at Beam Center	Diameter at Beam Angle	FC at Beam Edge	Ceiling Height	Fixture Spacing	RCR 6		RCR 8	
	0°	0° - 10° 352 21%	8'	74 fc	3.6'	34 fc	16'	4'	65	1.31	67	1.48
	0°	0° - 20° 886 54%	10'	47 fc	4.5'	22 fc	20'	5'	56	1.12	40	0.88
	5°	0° - 30° 1254 76%	12'	33 fc	5.4'	15 fc	24'	6'	37	0.74	26	0.58
	15°	0° - 40° 1383 84%	14'	24 fc	6.3'	11 fc	Delivered Illuminance Rating: (DIR)					
	25°	0° - 60° 1525 93%	16'	18 fc	7.1'	9 fc	50 FC per W/Sq. Ft. 45 FC per W/Sq. Ft.					
	35°	0° - 80° 1619 99%	20'	12 fc	8.9'	5 fc	Recessed mounting Square rooms used for multiple units: RCR 6: Length & Width = Ceiling Ht. - 2.5' x 1.66 RCR 8: Length & Width = Ceiling Ht. - 2.5' x 1.25 * Average Initial Footcandles at 2.5' Above Floor					
	45°	0° - 90° 1628 99%	24'	8 fc	10.7'	4 fc						
	55°	90° 3	28'	6 fc	12.5'	3 fc						
	90°	Total 1642 100%										

Delivered Lumens: 1642
Luminaire Watts: 26.3
LER: 62.43

CP at 0° (Nadir): 4711
CRI: 80

Beam Angle: 25°
Spacing Ratio: 0.42

Lumen Multiplier: 07L x 0.32, 10L x 0.45, 15L x 0.60, 20L x 0.82
CCT Multiplier: 27K x 0.94, 30K x 0.96, 40K x 1.03

See Page 1 for System Watts for all outputs

SR3Mx 10L 35K XN xx xx RA3F 10L 35K XN MW NL (nadir) - Adjustable Shallow

CANDLEPOWER CURVE TEST SP-01422_4	INTENSITY CANDELA 0° AZIMUTH	ZONAL LUMENS	SINGLE UNIT: PERFORMANCE HORIZONTAL FOOTCANDLES INITIAL DOWNLIGHT ONLY				MULTIPLE UNITS: PERFORMANCE 80/50/20% REFLECTANCES HORIZONTAL FOOTCANDLES AND WATTS/SQ FT					
			Mounting Distance	FC at Beam Center	Diameter at Beam Angle	FC at Beam Edge	Ceiling Height	Fixture Spacing	RCR 8		RCR 10	
	0°	0° - 10° 593 43%	8'	160 fc	2.3'	78 fc	16'	3'	151	2.67	100	1.85
	0°	0° - 20° 1042 75%	10'	102 fc	2.8'	50 fc	20'	4'	63	1.10	59	1.10
	5°	0° - 30° 1321 95%	12'	71 fc	3.4'	35 fc	24'	5'	41	0.73	39	0.73
	15°	0° - 40° 1357 98%	14'	52 fc	4.0'	25 fc	Delivered Illuminance Rating: (DIR)		57 FC per W/Sq. Ft.		54 FC per W/Sq. Ft.	
	25°	0° - 60° 1362 98%	16'	40 fc	4.5'	19 fc	Recessed mounting Square rooms used for multiple units: RCR 8: Length & Width = Ceiling Ht. - 2.5' x 1.25 RCR 10: Length & Width = Ceiling Ht. - 2.5' x 1.00 * Average Initial Footcandles at 2.5' Above Floor					
	35°	0° - 80° 1368 99%	20'	26 fc	5.7'	12 fc						
	45°	0° - 90° 1370 99%	24'	18 fc	6.8'	9 fc						
	55°	Total 1385 100%	28'	13 fc	7.9'	6 fc						
	90°											

Delivered Lumens: 1385
Luminaire Watts: 21.1
LER: 65.64

CP at 0° (Nadir): 10237
CRI: 80

Beam Angle: 16°
Spacing Ratio: 0.27

Lumen Multiplier: 07L x 0.77
CCT Multiplier: 27K x 0.94, 30K x 0.96, 40K x 1.03

See Page 1 for System Watts for all outputs

SR3Mx 10L 35K XN xx xx RA3F 10L 35K XN MW GL (nadir) - Adjustable Shallow

CANDLEPOWER CURVE TEST SP-01422_3	INTENSITY CANDELA 0° AZIMUTH	ZONAL LUMENS	SINGLE UNIT: PERFORMANCE HORIZONTAL FOOTCANDLES INITIAL DOWNLIGHT ONLY				MULTIPLE UNITS: PERFORMANCE 80/50/20% REFLECTANCES HORIZONTAL FOOTCANDLES AND WATTS/SQ FT					
			Mounting Distance	FC at Beam Center	Diameter at Beam Angle	FC at Beam Edge	Ceiling Height	Fixture Spacing	RCR 8		RCR 10	
	0°	0° - 10° 533 42%	8'	145 fc	2.3'	70 fc	16'	3'	138	2.67	91	1.85
	0°	0° - 20° 941 74%	10'	93 fc	2.9'	45 fc	20'	4'	57	1.10	54	1.10
	5°	0° - 30° 1196 94%	12'	64 fc	3.4'	31 fc	24'	5'	38	0.73	36	0.73
	15°	0° - 40° 1242 98%	14'	47 fc	4.0'	23 fc	Delivered Illuminance Rating: (DIR)		52 FC per W/Sq. Ft.		49 FC per W/Sq. Ft.	
	25°	0° - 60° 1247 98%	16'	36 fc	4.6'	18 fc	Recessed mounting Square rooms used for multiple units: RCR 8: Length & Width = Ceiling Ht. - 2.5' x 1.25 RCR 10: Length & Width = Ceiling Ht. - 2.5' x 1.00 * Average Initial Footcandles at 2.5' Above Floor					
	35°	0° - 80° 1252 98%	20'	23 fc	5.7'	11 fc						
	45°	0° - 90° 1254 99%	24'	16 fc	6.9'	8 fc						
	55°	Total 1272 100%	28'	12 fc	8.0'	6 fc						
	90°											

Delivered Lumens: 1272
Luminaire Watts: 21.1
LER: 60.28

CP at 0° (Nadir): 9281
CRI: 80

Beam Angle: 16°
Spacing Ratio: 0.27

Lumen Multiplier: 07L x 0.77
CCT Multiplier: 27K x 0.94, 30K x 0.96, 40K x 1.03

See Page 1 for System Watts for all outputs

SR3Mx 10L 35K XN xx xx RA3F 10L 35K XN MW SO (nadir) - Adjustable Shallow

CANDLEPOWER CURVE TEST SP-01422_5	INTENSITY CANDELA 0° AZIMUTH	ZONAL LUMENS	SINGLE UNIT: PERFORMANCE HORIZONTAL FOOTCANDLES INITIAL DOWNLIGHT ONLY				MULTIPLE UNITS: PERFORMANCE 80/50/20% REFLECTANCES HORIZONTAL FOOTCANDLES AND WATTS/SQ FT					
			Mounting Distance	FC at Beam Center	Diameter at Beam Angle	FC at Beam Edge	Ceiling Height	Fixture Spacing	RCR 8		RCR 10	
	0°	0° - 10° 542 40%	8'	141 fc	2.4'	68 fc	16'	3'	100	1.85	95	1.85
	0°	0° - 20° 983 73%	10'	90 fc	3.0'	44 fc	20'	4'	60	1.10	57	1.10
	5°	0° - 30° 1257 94%	12'	63 fc	3.6'	30 fc	24'	5'	40	0.73	37	0.73
	15°	0° - 40° 1306 98%	14'	46 fc	4.2'	22 fc	Delivered Illuminance Rating: (DIR)		54 FC per W/Sq. Ft.		51 FC per W/Sq. Ft.	
	25°	0° - 60° 1313 98%	16'	35 fc	4.8'	17 fc	Recessed mounting Square rooms used for multiple units: RCR 8: Length & Width = Ceiling Ht. - 2.5' x 1.25 RCR 10: Length & Width = Ceiling Ht. - 2.5' x 1.00 * Average Initial Footcandles at 2.5' Above Floor					
	35°	0° - 80° 1319 99%	20'	23 fc	5.9'	11 fc						
	45°	0° - 90° 1321 99%	24'	16 fc	7.1'	8 fc						
	55°	Total 1339 100%	28'	11 fc	8.3'	6 fc						
	90°											

Delivered Lumens: 1339
Luminaire Watts: 21.1
LER: 63.46

CP at 0° (Nadir): 9003
CRI: 80

Beam Angle: 17°
Spacing Ratio: 0.28

Lumen Multiplier: 07L x 0.77
CCT Multiplier: 27K x 0.94, 30K x 0.96, 40K x 1.03

See Page 1 for System Watts for all outputs

SR3Mx 10L 35K XN xx xx RDA3F 10L 35K XN MW NL (nadir) - Adjustable Deep

CANDLEPOWER CURVE TEST SP-01425_4	INTENSITY CANDELA 0° AZIMUTH	ZONAL LUMENS	SINGLE UNIT: PERFORMANCE HORIZONTAL FOOTCANDLES INITIAL DOWNLIGHT ONLY				MULTIPLE UNITS: PERFORMANCE 80/50/20% REFLECTANCES HORIZONTAL FOOTCANDLES AND WATTS/SQ FT					
			Mounting Distance	FC at Beam Center	Diameter at Beam Angle	FC at Beam Edge	Ceiling Height	Fixture Spacing	RCR 8		RCR 10	
	0°	0° - 10° 605 43%	8'	166 fc	2.2'	81 fc	16'	3'	154	2.67	102	1.85
	0°	0° - 20° 1065 76%	10'	106 fc	2.7'	52 fc	20'	4'	64	1.10	60	1.10
	5°	0° - 30° 1346 96%	12'	74 fc	3.3'	36 fc	24'	5'	42	0.73	40	0.73
	15°	0° - 40° 1375 98%	14'	54 fc	3.8'	26 fc	Delivered Illuminance Rating: (DIR)					
	25°	0° - 60° 1380 98%	16'	41 fc	4.4'	20 fc	58 FC per W/Sq. Ft. 55 FC per W/Sq. Ft.					
	35°	0° - 80° 1385 99%	20'	27 fc	5.5'	13 fc	Recessed mounting Square rooms used for multiple units: RCR 8: Length & Width = Ceiling Ht. - 2.5' x 1.25 RCR 10: Length & Width = Ceiling Ht. - 2.5' x 1.00 * Average Initial Footcandles at 2.5' Above Floor					
	45°	0° - 90° 1387 99%	24'	18 fc	6.6'	9 fc						
	55°	Total 1402 100%	28'	14 fc	7.7'	7 fc						
	90°											

Delivered Lumens: 1402 CP at 0° (Nadir): 10617 Beam Angle: 16° Lumen Multiplier: 07L x 0.77
 Luminaire Watts: 21.1 Spacing Ratio: 0.26 CCT Multiplier: 27K x 0.94, 30K x 0.96, 40K x 1.03
 LER: 66.45 CRI: 80

See Page 1 for System Watts for all outputs

SR3Mx 10L 35K XN xx xx RDA3F 10L 35K XN MW GL (nadir) - Adjustable Deep

CANDLEPOWER CURVE TEST SP-01425_3	INTENSITY CANDELA 0° AZIMUTH	ZONAL LUMENS	SINGLE UNIT: PERFORMANCE HORIZONTAL FOOTCANDLES INITIAL DOWNLIGHT ONLY				MULTIPLE UNITS: PERFORMANCE 80/50/20% REFLECTANCES HORIZONTAL FOOTCANDLES AND WATTS/SQ FT					
			Mounting Distance	FC at Beam Center	Diameter at Beam Angle	FC at Beam Edge	Ceiling Height	Fixture Spacing	RCR 8		RCR 10	
	0°	0° - 10° 543 42%	8'	146 fc	2.2'	71 fc	16'	3'	142	2.67	93	1.85
	0°	0° - 20° 968 74%	10'	94 fc	2.8'	45 fc	20'	4'	59	1.10	56	1.10
	5°	0° - 30° 1241 95%	12'	65 fc	3.4'	32 fc	24'	5'	39	0.73	37	0.73
	15°	0° - 40° 1273 98%	14'	48 fc	3.9'	23 fc	Delivered Illuminance Rating: (DIR)					
	25°	0° - 60° 1279 98%	16'	37 fc	4.5'	18 fc	53 FC per W/Sq. Ft. 50 FC per W/Sq. Ft.					
	35°	0° - 80° 1284 99%	20'	23 fc	5.6'	11 fc	Recessed mounting Square rooms used for multiple units: RCR 8: Length & Width = Ceiling Ht. - 2.5' x 1.25 RCR 10: Length & Width = Ceiling Ht. - 2.5' x 1.00 * Average Initial Footcandles at 2.5' Above Floor					
	45°	0° - 90° 1286 99%	24'	16 fc	6.7'	8 fc						
	55°	Total 1303 100%	28'	12 fc	7.8'	6 fc						
	90°											

Delivered Lumens: 1303 CP at 0° (Nadir): 9351 Beam Angle: 16° Lumen Multiplier: 07L x 0.77
 Luminaire Watts: 21.1 Spacing Ratio: 0.27 CCT Multiplier: 27K x 0.94, 30K x 0.96, 40K x 1.03
 LER: 61.75 CRI: 80

See Page 1 for System Watts for all outputs

SR3Mx 10L 35K XN xx xx RDA3F 10L 35K XN MW SO (nadir) - Adjustable Deep

CANDLEPOWER CURVE TEST SP-01425_5	INTENSITY CANDELA 0° AZIMUTH	ZONAL LUMENS	SINGLE UNIT: PERFORMANCE HORIZONTAL FOOTCANDLES INITIAL DOWNLIGHT ONLY				MULTIPLE UNITS: PERFORMANCE 80/50/20% REFLECTANCES HORIZONTAL FOOTCANDLES AND WATTS/SQ FT					
			Mounting Distance	FC at Beam Center	Diameter at Beam Angle	FC at Beam Edge	Ceiling Height	Fixture Spacing	RCR 8		RCR 10	
	0°	0° - 10° 533 40%	8'	140 fc	2.3'	68 fc	16'	3'	143	2.67	94	1.85
	0°	0° - 20° 977 74%	10'	90 fc	2.9'	43 fc	20'	4'	59	1.10	56	1.10
	5°	0° - 30° 1252 95%	12'	62 fc	3.5'	30 fc	24'	5'	39	0.73	37	0.73
	15°	0° - 40° 1288 98%	14'	46 fc	4.1'	22 fc	Delivered Illuminance Rating: (DIR)					
	25°	0° - 60° 1295 98%	16'	35 fc	4.6'	17 fc	54 FC per W/Sq. Ft. 51 FC per W/Sq. Ft.					
	35°	0° - 80° 1300 99%	20'	22 fc	5.8'	11 fc	Recessed mounting Square rooms used for multiple units: RCR 8: Length & Width = Ceiling Ht. - 2.5' x 1.25 RCR 10: Length & Width = Ceiling Ht. - 2.5' x 1.00 * Average Initial Footcandles at 2.5' Above Floor					
	45°	0° - 90° 1302 99%	24'	16 fc	7.0'	8 fc						
	55°	Total 1319 100%	28'	11 fc	8.1'	6 fc						
	90°											

Delivered Lumens: 1319 CP at 0° (Nadir): 8952 Beam Angle: 17° Lumen Multiplier: 07L x 0.77
 Luminaire Watts: 21.1 Spacing Ratio: 0.27 CCT Multiplier: 27K x 0.94, 30K x 0.96, 40K x 1.03
 LER: 62.51 CRI: 80

See Page 1 for System Watts for all outputs