



# 11" ARC LENS WALL LIGHT

## HMI SERIES



### HMI1112

#### APPLICATION

Spectrum Lighting Heavy Metal LED compact wall flood light for area illumination.

#### FEATURES

Rugged Die Cast Aluminum construction. Mounts to J-boxes and accepts conduit feeds. Quick access hinged door for wiring.

#### FINISH

Multi-stage polyester powder-coat process applied on our dedicated paint lines. All exposed materials are chromate pretreated to resist corrosion.

#### ELECTRONICS

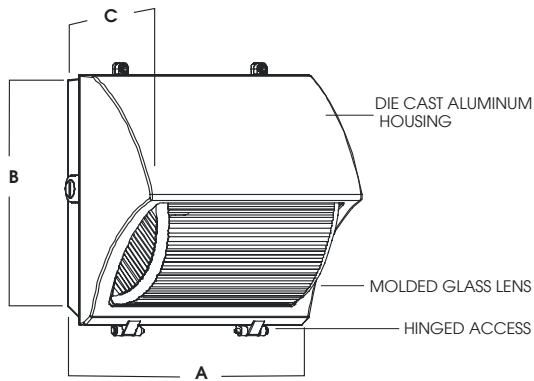
Standard CRI: 80+. Electronic 120v/277v dimming drivers. Thermally and surge protected.

#### CONSTRUCTION

Die Cast Aluminum Housing with gasketed molded glass lens. Stainless steel hardware and mounting kit.

#### CODE COMPLIANCE

BAA Compliant. CSA listed for wet locations. IP65 Rated. Manufactured and tested to ANSI/UL standard No. 1598/8750.



A	B	C
11.12 282.45 mm	12.0 304.80 mm	7.87 199.90 mm

WATTAGE TO LUMENS UPDATE				
CURRENT PART NUMBER EXAMPLE	SOURCE LUMENS <sup>1</sup>	DELIVERED LUMENS	SYSTEM WATTS	LPW/LER
HMI111240L40K	4000	3923	42.7	99
HMI111240L50K	4000	4075	42.7	95

SERIES	LUMENS <sup>1</sup>	CCT	DRIVER	OPTIONS <sup>2</sup>	MOUNTING	FINISH
HMI1112	40L 4000 Lm	40K 4000K 50K 5000K	DS10X 10% 0-10V, 120V/277V	FS Fusing PHO Photo Sensor	WM Wall Mount	BZ Bronze

**EXAMPLE:** HMI111240L50KDS10XWMBZ

NOTES:  
<sup>1</sup> Nominal Source Lumens at 4000K    <sup>2</sup> Limit One Option Per Luminaire



PROJECT: \_\_\_\_\_  
 TYPE: \_\_\_\_\_



Dimensions and values shown are nominal. Spectrum Lighting continually works to improve products and reserves the right to make changes which may alter the performance or appearance of products.