



6" ROUND DIRECT WILDLIFE FRIENDLY



CW0606 - CEILING MOUNT

APPLICATION

6" round x 6" high cylinder luminaire for general illumination. Meets Florida Fish and Wildlife Conservation Commission's Certified Wildlife Lighting. International Dark-Sky Association approved fixture.

FEATURES

Full shielding and option for Static Amber 560 NM or Dual Circuit 3000K 560 NM. Rugged design with a variety of options. Two stage optical system design delivers smooth general illumination.

FINISH

Durable powder-coat paint over aluminum fixture to resist corrosion.

ELECTRONICS

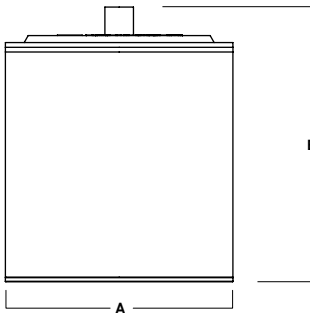
Single circuit, amber only option is available. Amber LEDs are monochromatic, narrow spectral bandwidth that only emit long wavelengths >560 nm and <625 nm. Proprietary 2-circuit LED system: Circuit 1 is 3000K at 1000 lumens, Circuit 2 is Amber only at 500 lumens. 3000K white light is 3-step MacAdam Ellipse binning, with 80+ CRI.

CONSTRUCTION

Extruded seamless aluminum fixture housing. Stainless steel hardware with galvanized steel brackets to resist corrosion. One piece reflector trim and finished to specification.

CODE COMPLIANCE

BAA compliant. ETL certified to meet US and Canadian standards. Suitable for wet locations. Manufactured and tested to UL standards No. 1598/8750.



A	B
6.1 154.9 mm	7.3 185.4 mm

LUMENS / WATTAGE DATA				
PART NUMBER	SOURCE LUMENS ¹	DELIVERED LUMENS ²	SYSTEM WATTS	LPW
CW0606TA5L AMB	500	425	13.3	32
CW0606TD10L	1000	803	13.6	59

SERIES	LUMENS ¹	CCT	DRIVER / DIMMING ⁴	TRIM	MOUNTING	FINISH ⁸
CW0606	AMBER ONLY		DX 1%, 0-10V, 120V/277V DS2W1 ELV / MLV,120V	LENS		CEILING MOUNT MW ⁹ Matte White MB ⁹ Matte Black PT ⁹ Platinum Silver CC ⁹ Custom Color
	TA5L 500 Lm Amber Only	AMB >560 NM		SO Micro Prism Solite™ Lens GL Clear Glass Lens	HM ^{5/6/7} Hang Straight PM ^{5/6} Rigid Pendant Mount SM Surface Mount	
	DUAL CIRCUIT ³					
	TD10L CIR 1 1000 Lm at 3000K CIR 2 500 Lm Amber Only	30K 3000K				

EXAMPLE: CW0606TA5LAMBDX/GL/PM36/MW

EXAMPLE: CW0606TD10L30KDX/GL/PM36/MW

NOTES:

1 Nominal Source Lumens 2 Nominal Delivered Lumens at xx SO xx 3 TD/Dual Circuit Option Requires Dedicated on Site Controls by Others, Controls by Others Are Not to Allow Both Circuits to be Energized Simultaneously, Consult Factory for More Information 4 Contact Factory for Additional Options 5 Specify Length in Inches: See Mounting Page for Available Lengths 6 Intended for Outdoor Covered Ceiling Applications Only 7 Not for Use in Locations with Wind Exposure 8 Reference Color Sheet Located on Product Webpage for Full List of Available Colors/Consult Factory for Special Finishes 9 Standard Finishes



PROJECT: _____
QUANTITY: _____ TYPE: _____



6" ROUND DIRECT

WILDLIFE FRIENDLY / FIXTURE OPTIONS

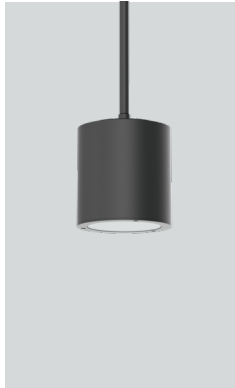


STANDARD FINISHES

MW
MATTE WHITE



MB
MATTE BLACK

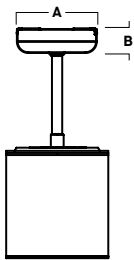


PT
PLATINUM SILVER



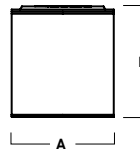
MOUNTING TYPES

HM / PM
HANG STRAIGHT / PENDANT



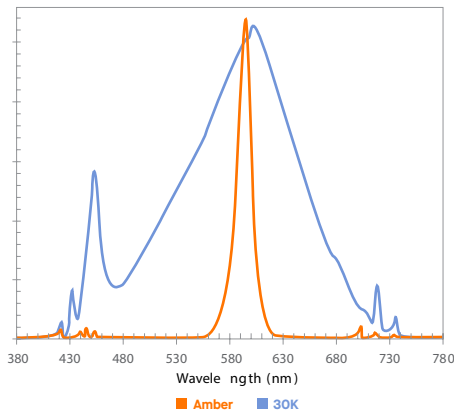
A	B
5.0	1.5
127.0 mm	38.1 mm

SM
SURFACE MOUNT



A	B
6.1	6.6
154.9 mm	167.6 mm

SPECTRAL POWER DISTRIBUTION COMPARISON

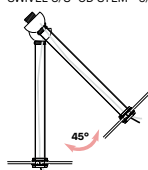
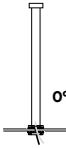
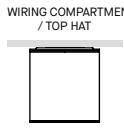
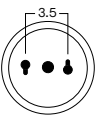


STANDARD MOUNTING & ACCESSORIES

SOME OPTIONS NOT AVAILABLE ON ALL FIXTURES, CONSULT SPECIFICATION SHEETS. SEE INDIVIDUAL SPECIFICATION SHEETS OR CONSULT FACTORY FOR ADDITIONAL INFORMATION.
NOTE: THIS IS TYPICAL OF CYLINDERS SPECIFICATION FOR PENDANT MOUNTING. INDIVIDUAL FIXTURES OR PROJECTS MAY HAVE SPECIALIZED REQUIREMENTS.



MOUNTING TYPES

<p>HM* HANG STRAIGHT 45° SWIVEL 5/8" OD STEM - 3/8" IP</p>  <p>ORDER: HM (Length) SPECIFY LENGTH: HM3 - 3" HM24 - 24" HM6 - 6" HM36 - 36" HM12 - 12" HM48 - 48" HM18 - 18" HM72 - 72" HMLC(XX) Custom Length (Specify in Inches)</p>	<p>PM* RIGID PENDANT MOUNT RIGID 5/8" OD STEM - 3/8" IP</p>  <p>ORDER: PM (Length) SPECIFY LENGTH: PM3 - 3" PM24 - 24" PM6 - 6" PM36 - 36" PM12 - 12" PM48 - 48" PM18 - 18" PM72 - 72" PMLC(XX) Custom Length (Specify in Inches)</p>	<p>SM SURFACE MOUNT</p>  <p>ORDER: SM TOP VIEW CANOPY</p>  <p>KEY SLOTS MOUNT CANOPY TO WALL-JUNCTION BOX. JUNCTION BOX IS COVERED.</p>
--	---	---

*MAXIMUM ONE PIECE STEM LENGTH IS 72".
LONGER LENGTHS ARE POSSIBLE USING MULTIPLE STEMS AND COUPLERS.



6" ROUND DIRECT

WILDLIFE FRIENDLY / PHOTOMETRIC DATA



CW0606 TA05L AMB xx SO xx

CANDLEPOWER CURVE TEST SP-01358	INTENSITY CANDELA 0° AZIMUTH	ZONAL LUMENS	SINGLE UNIT: PERFORMANCE HORIZONTAL FOOTCANDLES INITIAL DOWNLIGHT ONLY				MULTIPLE UNITS: PERFORMANCE 80/50/20% REFLECTANCES HORIZONTAL FOOTCANDLES AND WATTS/SQ FT								
			Mounting Distance	FC at Beam Center	Diameter at Beam Angle	FC at Beam Edge	Ceiling Height	Fixture Spacing	RCR 3		RCR 5				
	0°	186	0° - 10°	18	4%	6.5'	4 fc	13.1'	1 fc	9'	6'	9	0.36	10	0.44
	5°	186	0° - 20°	69	16%	7.5'	3 fc	15.1'	1 fc	12'	8'	4	0.15	4	0.18
	15°	180	0° - 30°	150	35%	8.5'	3 fc	17.1'	0 fc	16'	10'	3	0.12	2	0.09
	25°	177	0° - 40°	251	59%	10.0'	2 fc	20.1'	0 fc	Delivered Illuminance Rating: (DIR)		26 FC per W/Sq. Ft.		22 FC per W/Sq. Ft.	
	35°	164	0° - 60°	369	87%	12.0'	1 fc	24.2'	0 fc	1' Suspension Length to luminous aperture Square rooms used for multiple units: RCR 3: Length & Width = Ceiling Ht. - 3.5' x 3.33 RCR 5: Length & Width = Ceiling Ht. - 3.5' x 2.00 * Average Initial Footcandles at 2.5' Above Floor					
	45°	95	0° - 80°	410	96%	14.0'	1 fc	28.2'	0 fc						
	55°	49	0° - 90°	415	97%	16.0'	1 fc	32.2'	0 fc						
	90°	2	Total	425	100%	20.0'	0 fc	40.3'	0 fc						

Delivered Lumens: 425
Luminaire Watts: 13.3
LER: 31.95

CP at 0° (Nadir): 186
CRI: N/A, Amber

Beam Angle: 90°
Spacing Ratio: 1.36

Lumen Multiplier: N/A
CCT Multiplier: N/A

CW0606 TD10L 30K xx SO xx

CANDLEPOWER CURVE TEST SP-01360	INTENSITY CANDELA 0° AZIMUTH	ZONAL LUMENS	SINGLE UNIT: PERFORMANCE HORIZONTAL FOOTCANDLES INITIAL DOWNLIGHT ONLY				MULTIPLE UNITS: PERFORMANCE 80/50/20% REFLECTANCES HORIZONTAL FOOTCANDLES AND WATTS/SQ FT								
			Mounting Distance	FC at Beam Center	Diameter at Beam Angle	FC at Beam Edge	Ceiling Height	Fixture Spacing	RCR 3		RCR 5				
	0°	376	0° - 10°	36	4%	6.5'	9 fc	12.8'	2 fc	9'	6'	18	0.36	18	0.45
	5°	374	0° - 20°	139	17%	7.5'	7 fc	14.7'	1 fc	12'	8'	8	0.15	8	0.19
	15°	362	0° - 30°	302	38%	8.5'	5 fc	16.7'	1 fc	16'	10'	6	0.13	4	0.09
	25°	355	0° - 40°	500	62%	10.0'	4 fc	19.6'	1 fc	Delivered Illuminance Rating: (DIR)		50 FC per W/Sq. Ft.		41 FC per W/Sq. Ft.	
	35°	324	0° - 60°	720	90%	12.0'	3 fc	23.6'	0 fc	1' Suspension Length to luminous aperture Square rooms used for multiple units: RCR 3: Length & Width = Ceiling Ht. - 3.5' x 3.33 RCR 5: Length & Width = Ceiling Ht. - 3.5' x 2.00 * Average Initial Footcandles at 2.5' Above Floor					
	45°	179	0° - 80°	788	98%	14.0'	2 fc	27.5'	0 fc						
	55°	87	0° - 90°	792	99%	16.0'	1 fc	31.4'	0 fc						
	90°	2	Total	803	100%	20.0'	1 fc	39.3'	0 fc						

Delivered Lumens: 803
Luminaire Watts: 13.6
LER: 59.04

CP at 0° (Nadir): 376
CRI: 80

Beam Angle: 89°
Spacing Ratio: 1.34

Lumen Multiplier: only 10L available
CCT Multiplier: only 30K available



6" ROUND DIRECT

WILDLIFE FRIENDLY / PHOTOMETRIC DATA



CW0606 TA5L AMB xx GL xx

CANDLEPOWER CURVE TEST SP-01357	INTENSITY CANDELA 0° AZIMUTH	ZONAL LUMENS	SINGLE UNIT: PERFORMANCE HORIZONTAL FOOTCANDLES INITIAL DOWNLIGHT ONLY				MULTIPLE UNITS: PERFORMANCE 80/50/20% REFLECTANCES HORIZONTAL FOOTCANDLES AND WATTS/SQ FT								
			Mounting Distance	FC at Beam Center	Diameter at Beam Angle	FC at Beam Edge	Ceiling Height	Fixture Spacing	RCR 3		RCR 5				
	0°	165	0° - 10°	16	4%	6.5'	4 fc	12.8'	1 fc	9'	6'	8	0.36	8	0.44
	5°	165	0° - 20°	61	16%	7.5'	3 fc	14.8'	1 fc	12'	8'	3	0.15	3	0.18
	15°	158	0° - 30°	132	36%	8.5'	2 fc	16.7'	0 fc	16'	10'	3	0.12	2	0.09
	25°	155	0° - 40°	221	60%	10.0'	2 fc	19.7'	0 fc	Delivered Illuminance Rating: (DIR)		23 FC per W/Sq. Ft.		19 FC per W/Sq. Ft.	
	35°	145	0° - 60°	318	86%	12.0'	1 fc	23.6'	0 fc	1' Suspension Length to luminous aperture Square rooms used for multiple units: RCR 3: Length & Width = Ceiling Ht. - 3.5' x 3.33 RCR 5: Length & Width = Ceiling Ht. - 3.5' x 2.00 * Average Initial Footcandles at 2.5' Above Floor					
	45°	79	0° - 80°	356	96%	14.0'	1 fc	27.6'	0 fc						
	55°	39	0° - 90°	360	97%	16.0'	1 fc	31.5'	0 fc						
	90°	2	Total	370	100%	20.0'	0 fc	39.4'	0 fc						

Delivered Lumens: 370
 Luminaire Watts: 13.3
 LER: 27.82

CP at 0° (Nadir): 165
 CRI: N/A, Amber

Beam Angle: 89°
 Spacing Ratio: 1.36

Lumen Multiplier: N/A
 CCT Multiplier: N/A

CW0606 TD10L 30K xx GL xx

CANDLEPOWER CURVE TEST SP-01359	INTENSITY CANDELA 0° AZIMUTH	ZONAL LUMENS	SINGLE UNIT: PERFORMANCE HORIZONTAL FOOTCANDLES INITIAL DOWNLIGHT ONLY				MULTIPLE UNITS: PERFORMANCE 80/50/20% REFLECTANCES HORIZONTAL FOOTCANDLES AND WATTS/SQ FT								
			Mounting Distance	FC at Beam Center	Diameter at Beam Angle	FC at Beam Edge	Ceiling Height	Fixture Spacing	RCR 3		RCR 5				
	0°	362	0° - 10°	35	5%	6.5'	9 fc	12.6'	2 fc	9'	6'	17	0.36	18	0.45
	5°	362	0° - 20°	134	17%	7.5'	6 fc	14.5'	1 fc	12'	8'	7	0.15	7	0.19
	15°	349	0° - 30°	291	38%	8.5'	5 fc	16.5'	1 fc	16'	10'	6	0.13	3	0.09
	25°	341	0° - 40°	482	63%	10.0'	4 fc	19.4'	1 fc	Delivered Illuminance Rating: (DIR)		47 FC per W/Sq. Ft.		39 FC per W/Sq. Ft.	
	35°	315	0° - 60°	682	89%	12.0'	3 fc	23.3'	0 fc	1' Suspension Length to luminous aperture Square rooms used for multiple units: RCR 3: Length & Width = Ceiling Ht. - 3.5' x 3.33 RCR 5: Length & Width = Ceiling Ht. - 3.5' x 2.00 * Average Initial Footcandles at 2.5' Above Floor					
	45°	165	0° - 80°	750	98%	14.0'	2 fc	27.1'	0 fc						
	55°	77	0° - 90°	765	99%	16.0'	1 fc	31.0'	0 fc						
	90°	2	Total	765	100%	20.0'	1 fc	38.8'	0 fc						

Delivered Lumens: 765
 Luminaire Watts: 13.6
 LER: 56.25

CP at 0° (Nadir): 362
 CRI: 80

Beam Angle: 88°
 Spacing Ratio: 1.35

Lumen Multiplier: only 10L available
 CCT Multiplier: only 30K available

