



WAREHOUSE SHADE
WILDLIFE FRIENDLY

PROJECT: _____

QUANTITY: _____ TYPE: _____



WS1611
MWI - Matte White
BL - Blue Streak



WS1611
MWI - Matte White
AY - Aero Yellow



WS1611
MWI - Matte White
BZ - Bronze



WS1611
MWI - Matte White
RD - Red Baron

SERIES	LUMENS ¹	CCT	DRIVER / DIMMING ³	ACCESSORIES	MOUNTING ⁵	INTERIOR ¹⁰	FINISH ¹⁰
WS1611	AMBER ONLY		DX 1%, 0-10V, 120V/277V DS2W1 ELV/MLV, 120V	ENCLOSURES		MW1¹¹ Matte White CCI Custom Color FCI Fixture Color Interior	MW¹¹ Matte White MB¹¹ Matte Black PT¹¹ Platinum Silver CC Custom Color
	TASL 500 Lm Amber Only	AMB >560 NM		TF2⁴ 4" Frosted Dome TG2 4" Dome Wire Guard MF2 4" Frosted Mini MG2 4" Short Wire Guard FJ2 4" Frosted Tall FG2 4" Tall Wire Guard	CP106 Large Driver Canopy CP6/RMD Remote Mount Driver SP90⁶ Straight Arm PA⁶ Mounting Arm Style		
	DUAL CIRCUIT ²			FIXTURE WIRE GUARDS		CEILING MOUNT	
	TD10L CIR 1 1000 Lm at 3000K CIR 2 500 Lm Amber Only	30K 3000K		See 2 nd Page for Ordering Details		CP13 Large Driver Canopy HM^{7/8/9} Hang Straight PM^{7/8} Rigid Pendant Mount	

EXAMPLE: WS1611TA5LAMBDX/TF2/CP13PM36/MWIPT

EXAMPLE: WS1611TD10L30KDX/TF2/CP13PM36/MWIPT

NOTES:

1 Nominal Source Lumens 2 TD/Dual Circuit Option Requires Dedicated on Site Controls by Others, Controls by Others Are Not to Allow Both Circuits to be Energized Simultaneously, Consult Factory for More Information 3 Contact Factory for Additional Options 4 Standard Enclosure 5 See Mounting Page for Details on Components and Finishes 6 See Mounting Page for Available Arm Options 7 Specify Length in Inches; See Mounting Page for Available Lengths 8 Intended for Outdoor Covered Ceiling Applications Only 9 Not for Use in Locations with Wind Exposure 10 Reference Color Sheet Located on Product Webpage for Full List of Available Colors/Consult Factory for Special Finishes 11 Standard Finishes



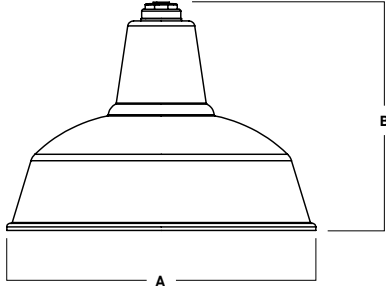


WAREHOUSE SHADE WILDLIFE FRIENDLY

LUMENS / WATTAGE DATA				
PART NUMBER	SOURCE LUMENS ¹	DELIVERED LUMENS ²	SYSTEM WATTS	LPW
WS1611TA5L	500	548	13.5	41
WS1611TD10L	1000	914	13.6	67

¹ Nominal Source Lumens ² Nominal Delivered Lumens

HOUSING DIMENSIONS



A	B
16.50	12.18
419.1 mm	309.372 mm

APPLICATION

The Warehouse Shade is one of our most popular RLM styles. Meets Florida Fish and Wildlife Conservation Commission's Certified Wildlife Lighting. International Dark-Sky Association approved fixture.

FEATURES

Full shielding and option for Static Amber 560 NM or Dual Circuit 3000K 560 NM. Vintage lighting fixtures redesigned with a variety of options. LED module and driver are serviceable for future replacement.

FINISH

Durable powder-coat paint over aluminum fixture to resist corrosion. Matte White interior standard. Custom Color interior finishes available.

ELECTRONICS

Single circuit, amber only option is available. Amber LEDs are monochromatic, narrow spectral bandwidth that only emit long wavelengths >560 nm and <625 nm. Proprietary 2-circuit led system: Circuit 1 is 3000K at 1000 lumens, Circuit 2 is Amber only at 500 lumens. 3000K white light is 3-step MacAdam Ellipse binning, with 80+ CRI.

CONSTRUCTION

Fixture shades are spun in our factory from 0.063 high purity aluminum. Canopies are die-cast aluminum with stainless steel hardware. Wall arms are formed 3/4 NPT aluminum pipe and may be field cut.

CODE COMPLIANCE

BAA compliant. ETL certified to meet US and Canadian standards. Suitable for wet locations. Manufactured and tested to UL standards No. 1598/8750.

WALL MOUNT

(SEE MOUNTING PAGES FOR MORE OPTIONS & DIMENSIONS.)

PA
MOUNTING ARM STYLE



WS1611 SHOWN WITH CP106PA23

CEILING MOUNT

(SEE MOUNTING PAGES FOR MORE OPTIONS & CANOPY DIMENSIONS.)

HM / PM
HANG STRAIGHT / PENDANT



WS1611 SHOWN WITH CP13PM

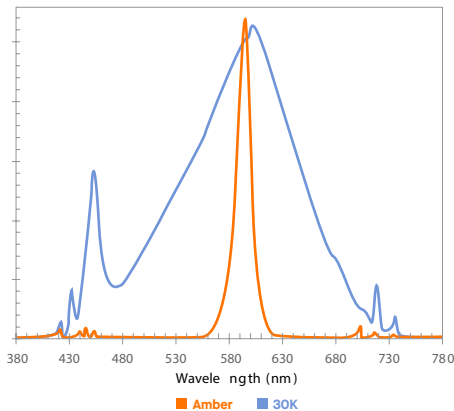
FIXTURE WIRE GUARD

WG16- 16" Ø



WS1611 SHOWN WITH WG16

SPECTRAL POWER DISTRIBUTION COMPARISON





WAREHOUSE SHADE

WILDLIFE FRIENDLY / PHOTOMETRIC DATA

WS1611 TA5L AMB xx TF2 MWI

CANDLEPOWER CURVE TEST SP-01353	INTENSITY CANDELA 0° AZIMUTH	ZONAL LUMENS	SINGLE UNIT: PERFORMANCE HORIZONTAL FOOTCANDLES INITIAL DOWNLIGHT ONLY	MULTIPLE UNITS: PERFORMANCE 80/50/20% REFLECTANCES HORIZONTAL FOOTCANDLES AND WATTS/SQ FT					
	0°	0° - 10° 16 3%	Mounting Distance	Ceiling Height	Fixture Spacing	RCR 3		RCR 5	
	0° 171	0° - 20° 63 12%	FC at Beam Center	9'	6'	FC *	W/Sq. Ft.	FC *	W/Sq. Ft.
	5° 170	0° - 30° 136 25%	Diameter at Beam Angle	12'	8'	14	0.44	13	0.54
	15° 166	0° - 40° 228 42%	FC at Beam Edge	16'	10'	5	0.17	5	0.21
	25° 157	0° - 60° 434 79%		Delivered Illuminance Rating: (DIR)		31 FC per W/Sq. Ft.		25 FC per W/Sq. Ft.	
	35° 147	0° - 80° 532 97%		1.5' Suspension Length to luminous aperture Square rooms used for multiple units: RCR 3: Length & Width = Ceiling Ht. - 4.0' x 3.33 RCR 5: Length & Width = Ceiling Ht. - 4.0' x 2.00 * Average Initial Footcandles at 2.5' Above Floor					
	45° 133	0° - 90° 537 98%							
	55° 116	Total 548 100%							
	90° 2								

Delivered Lumens: 548
Luminaire Watts: 13.5
LER: 40.59

CP at 0° (Nadir): 171
CRI: N/A, Amber

Beam Angle: 127°
Spacing Ratio: 1.32

Lumen Multiplier: N/A
CCT Multiplier: N/A

WS1611 TD10L 30K xx TF2 MWI

CANDLEPOWER CURVE TEST SP-01356	INTENSITY CANDELA 0° AZIMUTH	ZONAL LUMENS	SINGLE UNIT: PERFORMANCE HORIZONTAL FOOTCANDLES INITIAL DOWNLIGHT ONLY	MULTIPLE UNITS: PERFORMANCE 80/50/20% REFLECTANCES HORIZONTAL FOOTCANDLES AND WATTS/SQ FT					
	0°	0° - 10° 29 3%	Mounting Distance	Ceiling Height	Fixture Spacing	RCR 3		RCR 5	
	0° 298	0° - 20° 110 12%	FC at Beam Center	9'	6'	FC *	W/Sq. Ft.	FC *	W/Sq. Ft.
	5° 295	0° - 30° 235 26%	Diameter at Beam Angle	12'	8'	23	0.44	22	0.54
	15° 286	0° - 40° 392 43%	FC at Beam Edge	16'	10'	9	0.17	9	0.21
	25° 269	0° - 60° 739 81%		Delivered Illuminance Rating: (DIR)		52 FC per W/Sq. Ft.		41 FC per W/Sq. Ft.	
	35° 249	0° - 80° 899 98%		1.5' Suspension Length to luminous aperture Square rooms used for multiple units: RCR 3: Length & Width = Ceiling Ht. - 4.0' x 3.33 RCR 5: Length & Width = Ceiling Ht. - 4.0' x 2.00 * Average Initial Footcandles at 2.5' Above Floor					
	45° 219	0° - 90° 905 99%							
	55° 182	Total 914 100%							
	90° 1								

Delivered Lumens: 914
Luminaire Watts: 13.6
LER: 67.21

CP at 0° (Nadir): 298
CRI: 80

Beam Angle: 126°
Spacing Ratio: 1.30

Lumen Multiplier: only 10L available
CCT Multiplier: only 30K available





WAREHOUSE SHADE

WILDLIFE FRIENDLY / PHOTOMETRIC DATA

WS1611 TD10L 30K xx MF2 MWI

CANDLEPOWER CURVE TEST SP-01355	INTENSITY CANDELA 0° AZIMUTH	ZONAL LUMENS	SINGLE UNIT: PERFORMANCE HORIZONTAL FOOTCANDLES INITIAL DOWNLIGHT ONLY	MULTIPLE UNITS: PERFORMANCE 80/50/20% REFLECTANCES HORIZONTAL FOOTCANDLES AND WATTS/SQ FT																																																																																																					
	0°	0° - 10° 24 3%	<table border="1"> <thead> <tr> <th>Mounting Distance</th> <th>FC at Beam Center</th> <th>Diameter at Beam Angle</th> <th>FC at Beam Edge</th> </tr> </thead> <tbody> <tr><td>6.5'</td><td>6 fc</td><td>29.5'</td><td>0 fc</td></tr> <tr><td>7.5'</td><td>4 fc</td><td>34.0'</td><td>0 fc</td></tr> <tr><td>8.5'</td><td>3 fc</td><td>38.5'</td><td>0 fc</td></tr> <tr><td>10.0'</td><td>3 fc</td><td>45.3'</td><td>0 fc</td></tr> <tr><td>12.0'</td><td>2 fc</td><td>54.4'</td><td>0 fc</td></tr> <tr><td>14.0'</td><td>1 fc</td><td>63.5'</td><td>0 fc</td></tr> <tr><td>16.0'</td><td>1 fc</td><td>72.6'</td><td>0 fc</td></tr> <tr><td>20.0'</td><td>1 fc</td><td>90.7'</td><td>0 fc</td></tr> </tbody> </table>	Mounting Distance	FC at Beam Center	Diameter at Beam Angle	FC at Beam Edge	6.5'	6 fc	29.5'	0 fc	7.5'	4 fc	34.0'	0 fc	8.5'	3 fc	38.5'	0 fc	10.0'	3 fc	45.3'	0 fc	12.0'	2 fc	54.4'	0 fc	14.0'	1 fc	63.5'	0 fc	16.0'	1 fc	72.6'	0 fc	20.0'	1 fc	90.7'	0 fc	<table border="1"> <thead> <tr> <th rowspan="2">Ceiling Height</th> <th rowspan="2">Fixture Spacing</th> <th colspan="2">RCR 3</th> <th colspan="2">RCR 5</th> </tr> <tr> <th>FC *</th> <th>W/Sq. Ft.</th> <th>FC *</th> <th>W/Sq. Ft.</th> </tr> </thead> <tbody> <tr><td>9'</td><td>6'</td><td>21</td><td>0.44</td><td>20</td><td>0.54</td></tr> <tr><td>12'</td><td>8'</td><td>8</td><td>0.17</td><td>8</td><td>0.21</td></tr> <tr><td>16'</td><td>10'</td><td>6</td><td>0.14</td><td>3</td><td>0.09</td></tr> </tbody> </table>	Ceiling Height	Fixture Spacing	RCR 3		RCR 5		FC *	W/Sq. Ft.	FC *	W/Sq. Ft.	9'	6'	21	0.44	20	0.54	12'	8'	8	0.17	8	0.21	16'	10'	6	0.14	3	0.09																																					
	Mounting Distance	FC at Beam Center		Diameter at Beam Angle	FC at Beam Edge																																																																																																				
	6.5'	6 fc		29.5'	0 fc																																																																																																				
	7.5'	4 fc		34.0'	0 fc																																																																																																				
	8.5'	3 fc		38.5'	0 fc																																																																																																				
	10.0'	3 fc		45.3'	0 fc																																																																																																				
	12.0'	2 fc		54.4'	0 fc																																																																																																				
	14.0'	1 fc		63.5'	0 fc																																																																																																				
	16.0'	1 fc		72.6'	0 fc																																																																																																				
	20.0'	1 fc		90.7'	0 fc																																																																																																				
	Ceiling Height	Fixture Spacing		RCR 3		RCR 5																																																																																																			
				FC *	W/Sq. Ft.	FC *	W/Sq. Ft.																																																																																																		
9'	6'	21	0.44	20	0.54																																																																																																				
12'	8'	8	0.17	8	0.21																																																																																																				
16'	10'	6	0.14	3	0.09																																																																																																				
0°	0° - 20° 91 11%	<table border="1"> <thead> <tr> <th>Intensity (cd)</th> <th>0°</th> <th>5°</th> <th>15°</th> <th>25°</th> <th>35°</th> <th>45°</th> <th>55°</th> <th>90°</th> </tr> </thead> <tbody> <tr><td>25</td><td>251</td><td>250</td><td>236</td><td>219</td><td>208</td><td>202</td><td>190</td><td>3</td></tr> <tr><td>50</td><td></td><td></td><td></td><td></td><td></td><td></td><td></td><td></td></tr> <tr><td>75</td><td></td><td></td><td></td><td></td><td></td><td></td><td></td><td></td></tr> <tr><td>100</td><td></td><td></td><td></td><td></td><td></td><td></td><td></td><td></td></tr> <tr><td>125</td><td></td><td></td><td></td><td></td><td></td><td></td><td></td><td></td></tr> <tr><td>150</td><td></td><td></td><td></td><td></td><td></td><td></td><td></td><td></td></tr> <tr><td>175</td><td></td><td></td><td></td><td></td><td></td><td></td><td></td><td></td></tr> <tr><td>200</td><td></td><td></td><td></td><td></td><td></td><td></td><td></td><td></td></tr> <tr><td>225</td><td></td><td></td><td></td><td></td><td></td><td></td><td></td><td></td></tr> <tr><td>250</td><td></td><td></td><td></td><td></td><td></td><td></td><td></td><td></td></tr> </tbody> </table>	Intensity (cd)	0°	5°	15°	25°	35°	45°	55°	90°	25	251	250	236	219	208	202	190	3	50									75									100									125									150									175									200									225									250									<table border="1"> <thead> <tr> <th>Delivered Illuminance Rating: (DIR)</th> <th>47 FC per W/Sq. Ft.</th> <th>37 FC per W/Sq. Ft.</th> </tr> </thead> </table>	Delivered Illuminance Rating: (DIR)	47 FC per W/Sq. Ft.	37 FC per W/Sq. Ft.
Intensity (cd)	0°		5°	15°	25°	35°	45°	55°	90°																																																																																																
25	251		250	236	219	208	202	190	3																																																																																																
50																																																																																																									
75																																																																																																									
100																																																																																																									
125																																																																																																									
150																																																																																																									
175																																																																																																									
200																																																																																																									
225																																																																																																									
250																																																																																																									
Delivered Illuminance Rating: (DIR)	47 FC per W/Sq. Ft.	37 FC per W/Sq. Ft.																																																																																																							
5°	0° - 30° 192 23%	<p>1.5' Suspension Length to luminous aperture Square rooms used for multiple units: RCR 3: Length & Width = Ceiling Ht. - 4.0' x 3.33 RCR 5: Length & Width = Ceiling Ht. - 4.0' x 2.00 * Average Initial Footcandles at 2.5' Above Floor</p>																																																																																																							
15°	0° - 40° 322 38%																																																																																																								
25°	0° - 60° 647 76%																																																																																																								
35°	0° - 80° 830 98%																																																																																																								
45°	0° - 90° 841 99%																																																																																																								
55°	Total 851 100%																																																																																																								
90°																																																																																																									

Delivered Lumens: 851
Luminaire Watts: 13.6
LER: 62.57

CP at 0° (Nadir): 251
CRI: 80

Beam Angle: 132°
Spacing Ratio: 1.27

Lumen Multiplier: only 10L available
CCT Multiplier: only 30K available

WS1611 TA5L AMB xx MF2 MWI

CANDLEPOWER CURVE TEST SP-01352	INTENSITY CANDELA 0° AZIMUTH	ZONAL LUMENS	SINGLE UNIT: PERFORMANCE HORIZONTAL FOOTCANDLES INITIAL DOWNLIGHT ONLY	MULTIPLE UNITS: PERFORMANCE 80/50/20% REFLECTANCES HORIZONTAL FOOTCANDLES AND WATTS/SQ FT																																																																																																																																																		
	0°	0° - 10° 14 3%	<table border="1"> <thead> <tr> <th>Mounting Distance</th> <th>FC at Beam Center</th> <th>Diameter at Beam Angle</th> <th>FC at Beam Edge</th> </tr> </thead> <tbody> <tr><td>6.5'</td><td>4 fc</td><td>30.4'</td><td>0 fc</td></tr> <tr><td>7.5'</td><td>3 fc</td><td>35.1'</td><td>0 fc</td></tr> <tr><td>8.5'</td><td>2 fc</td><td>39.8'</td><td>0 fc</td></tr> <tr><td>10.0'</td><td>1 fc</td><td>46.8'</td><td>0 fc</td></tr> <tr><td>12.0'</td><td>1 fc</td><td>56.2'</td><td>0 fc</td></tr> <tr><td>14.0'</td><td>1 fc</td><td>65.5'</td><td>0 fc</td></tr> <tr><td>16.0'</td><td>1 fc</td><td>74.9'</td><td>0 fc</td></tr> <tr><td>20.0'</td><td>0 fc</td><td>93.6'</td><td>0 fc</td></tr> </tbody> </table>	Mounting Distance	FC at Beam Center	Diameter at Beam Angle	FC at Beam Edge	6.5'	4 fc	30.4'	0 fc	7.5'	3 fc	35.1'	0 fc	8.5'	2 fc	39.8'	0 fc	10.0'	1 fc	46.8'	0 fc	12.0'	1 fc	56.2'	0 fc	14.0'	1 fc	65.5'	0 fc	16.0'	1 fc	74.9'	0 fc	20.0'	0 fc	93.6'	0 fc	<table border="1"> <thead> <tr> <th rowspan="2">Ceiling Height</th> <th rowspan="2">Fixture Spacing</th> <th colspan="2">RCR 3</th> <th colspan="2">RCR 5</th> </tr> <tr> <th>FC *</th> <th>W/Sq. Ft.</th> <th>FC *</th> <th>W/Sq. Ft.</th> </tr> </thead> <tbody> <tr><td>9'</td><td>6'</td><td>13</td><td>0.44</td><td>12</td><td>0.54</td></tr> <tr><td>12'</td><td>8'</td><td>5</td><td>0.17</td><td>5</td><td>0.21</td></tr> <tr><td>16'</td><td>10'</td><td>4</td><td>0.14</td><td>2</td><td>0.09</td></tr> </tbody> </table>	Ceiling Height	Fixture Spacing	RCR 3		RCR 5		FC *	W/Sq. Ft.	FC *	W/Sq. Ft.	9'	6'	13	0.44	12	0.54	12'	8'	5	0.17	5	0.21	16'	10'	4	0.14	2	0.09																																																																																		
	Mounting Distance	FC at Beam Center		Diameter at Beam Angle	FC at Beam Edge																																																																																																																																																	
	6.5'	4 fc		30.4'	0 fc																																																																																																																																																	
	7.5'	3 fc		35.1'	0 fc																																																																																																																																																	
	8.5'	2 fc		39.8'	0 fc																																																																																																																																																	
	10.0'	1 fc		46.8'	0 fc																																																																																																																																																	
	12.0'	1 fc		56.2'	0 fc																																																																																																																																																	
	14.0'	1 fc		65.5'	0 fc																																																																																																																																																	
	16.0'	1 fc		74.9'	0 fc																																																																																																																																																	
	20.0'	0 fc		93.6'	0 fc																																																																																																																																																	
	Ceiling Height	Fixture Spacing		RCR 3		RCR 5																																																																																																																																																
				FC *	W/Sq. Ft.	FC *	W/Sq. Ft.																																																																																																																																															
9'	6'	13	0.44	12	0.54																																																																																																																																																	
12'	8'	5	0.17	5	0.21																																																																																																																																																	
16'	10'	4	0.14	2	0.09																																																																																																																																																	
0°	0° - 20° 54 10%	<table border="1"> <thead> <tr> <th>Intensity (cd)</th> <th>0°</th> <th>5°</th> <th>15°</th> <th>25°</th> <th>35°</th> <th>45°</th> <th>55°</th> <th>90°</th> </tr> </thead> <tbody> <tr><td>10</td><td>149</td><td>149</td><td>141</td><td>131</td><td>127</td><td>125</td><td>119</td><td>2</td></tr> <tr><td>20</td><td></td><td></td><td></td><td></td><td></td><td></td><td></td><td></td></tr> <tr><td>30</td><td></td><td></td><td></td><td></td><td></td><td></td><td></td><td></td></tr> <tr><td>40</td><td></td><td></td><td></td><td></td><td></td><td></td><td></td><td></td></tr> <tr><td>50</td><td></td><td></td><td></td><td></td><td></td><td></td><td></td><td></td></tr> <tr><td>60</td><td></td><td></td><td></td><td></td><td></td><td></td><td></td><td></td></tr> <tr><td>70</td><td></td><td></td><td></td><td></td><td></td><td></td><td></td><td></td></tr> <tr><td>80</td><td></td><td></td><td></td><td></td><td></td><td></td><td></td><td></td></tr> <tr><td>90</td><td></td><td></td><td></td><td></td><td></td><td></td><td></td><td></td></tr> <tr><td>100</td><td></td><td></td><td></td><td></td><td></td><td></td><td></td><td></td></tr> <tr><td>110</td><td></td><td></td><td></td><td></td><td></td><td></td><td></td><td></td></tr> <tr><td>120</td><td></td><td></td><td></td><td></td><td></td><td></td><td></td><td></td></tr> <tr><td>130</td><td></td><td></td><td></td><td></td><td></td><td></td><td></td><td></td></tr> <tr><td>140</td><td></td><td></td><td></td><td></td><td></td><td></td><td></td><td></td></tr> <tr><td>150</td><td></td><td></td><td></td><td></td><td></td><td></td><td></td><td></td></tr> </tbody> </table>	Intensity (cd)	0°	5°	15°	25°	35°	45°	55°	90°	10	149	149	141	131	127	125	119	2	20									30									40									50									60									70									80									90									100									110									120									130									140									150									<table border="1"> <thead> <tr> <th>Delivered Illuminance Rating: (DIR)</th> <th>30 FC per W/Sq. Ft.</th> <th>23 FC per W/Sq. Ft.</th> </tr> </thead> </table>	Delivered Illuminance Rating: (DIR)	30 FC per W/Sq. Ft.	23 FC per W/Sq. Ft.
Intensity (cd)	0°		5°	15°	25°	35°	45°	55°	90°																																																																																																																																													
10	149		149	141	131	127	125	119	2																																																																																																																																													
20																																																																																																																																																						
30																																																																																																																																																						
40																																																																																																																																																						
50																																																																																																																																																						
60																																																																																																																																																						
70																																																																																																																																																						
80																																																																																																																																																						
90																																																																																																																																																						
100																																																																																																																																																						
110																																																																																																																																																						
120																																																																																																																																																						
130																																																																																																																																																						
140																																																																																																																																																						
150																																																																																																																																																						
Delivered Illuminance Rating: (DIR)	30 FC per W/Sq. Ft.	23 FC per W/Sq. Ft.																																																																																																																																																				
5°	0° - 30° 115 22%	<p>1.5' Suspension Length to luminous aperture Square rooms used for multiple units: RCR 3: Length & Width = Ceiling Ht. - 4.0' x 3.33 RCR 5: Length & Width = Ceiling Ht. - 4.0' x 2.00 * Average Initial Footcandles at 2.5' Above Floor</p>																																																																																																																																																				
15°	0° - 40° 195 37%																																																																																																																																																					
25°	0° - 60° 398 75%																																																																																																																																																					
35°	0° - 80° 515 97%																																																																																																																																																					
45°	0° - 90° 524 98%																																																																																																																																																					
55°	Total 533 100%																																																																																																																																																					
90°																																																																																																																																																						

Delivered Lumens: 533
Luminaire Watts: 13.5
LER: 39.48

CP at 0° (Nadir): 149
CRI: N/A, Amber

Beam Angle: 134°
Spacing Ratio: 1.31

Lumen Multiplier: N/A
CCT Multiplier: N/A





WAREHOUSE SHADE

WILDLIFE FRIENDLY / PHOTOMETRIC DATA

WS1611 TA5L AMB xx FJ2 MWI

CANDLEPOWER CURVE TEST SP-01351	INTENSITY CANDELA 0° AZIMUTH	ZONAL LUMENS	SINGLE UNIT: PERFORMANCE HORIZONTAL FOOTCANDLES INITIAL DOWNLIGHT ONLY				MULTIPLE UNITS: PERFORMANCE 80/50/20% REFLECTANCES HORIZONTAL FOOTCANDLES AND WATTS/SQ FT					
			Mounting Distance	FC at Beam Center	Diameter at Beam Angle	FC at Beam Edge	Ceiling Height	Fixture Spacing	RCR 3		RCR 5	
	0°	0° - 10° 11 2%	6.5'	3 fc	30.0'	0 fc	9'	6'	FC *	W/Sq. Ft.	FC *	W/Sq. Ft.
	0°	0° - 20° 41 9%	7.5'	2 fc	34.6'	0 fc			11	0.44	10	0.54
	5°	0° - 30° 89 19%	8.5'	2 fc	39.2'	0 fc			4	0.17	4	0.21
	15°	0° - 40° 156 34%	10.0'	1 fc	46.1'	0 fc	12'	8'	3	0.14	2	0.09
	25°	0° - 60° 330 72%	12.0'	1 fc	55.3'	0 fc			Delivered Illuminance Rating: (DIR) 25 FC per W/Sq. Ft. 19 FC per W/Sq. Ft.			
	35°	0° - 80° 431 93%	14.0'	1 fc	64.5'	0 fc			1.5' Suspension Length to luminous aperture			
	45°	0° - 90° 445 96%	16.0'	0 fc	73.7'	0 fc	Square rooms used for multiple units: RCR 3: Length & Width = Ceiling Ht. - 4.0' x 3.33 RCR 5: Length & Width = Ceiling Ht. - 4.0' x 2.00					
	55°	0° - 90° 445 96%	20.0'	0 fc	92.2'	0 fc	* Average Initial Footcandles at 2.5' Above Floor					
	90°	Total 462 100%										

Delivered Lumens: 462
Luminaire Watts: 13.5
LER: 34.22

CP at 0° (Nadir): 122
CRI: N/A, Amber

Beam Angle: 133°
Spacing Ratio: 1.34

Lumen Multiplier: N/A
CCT Multiplier: N/A

WS1611 TD10L 30K xx FJ2 MWI

CANDLEPOWER CURVE TEST SP-01354	INTENSITY CANDELA 0° AZIMUTH	ZONAL LUMENS	SINGLE UNIT: PERFORMANCE HORIZONTAL FOOTCANDLES INITIAL DOWNLIGHT ONLY				MULTIPLE UNITS: PERFORMANCE 80/50/20% REFLECTANCES HORIZONTAL FOOTCANDLES AND WATTS/SQ FT					
			Mounting Distance	FC at Beam Center	Diameter at Beam Angle	FC at Beam Edge	Ceiling Height	Fixture Spacing	RCR 3		RCR 5	
	0°	0° - 10° 20 3%	6.5'	5 fc	28.5'	0 fc	9'	6'	FC *	W/Sq. Ft.	FC *	W/Sq. Ft.
	0°	0° - 20° 71 10%	7.5'	4 fc	32.8'	0 fc			18	0.44	17	0.54
	5°	0° - 30° 152 21%	8.5'	3 fc	37.2'	0 fc			7	0.17	7	0.21
	15°	0° - 40° 264 36%	10.0'	2 fc	43.8'	0 fc	12'	8'	6	0.14	3	0.09
	25°	0° - 60° 546 74%	12.0'	2 fc	52.6'	0 fc			Delivered Illuminance Rating: (DIR) 41 FC per W/Sq. Ft. 31 FC per W/Sq. Ft.			
	35°	0° - 80° 707 95%	14.0'	1 fc	61.3'	0 fc			1.5' Suspension Length to luminous aperture			
	45°	0° - 90° 726 98%	16.0'	1 fc	70.1'	0 fc	Square rooms used for multiple units: RCR 3: Length & Width = Ceiling Ht. - 4.0' x 3.33 RCR 5: Length & Width = Ceiling Ht. - 4.0' x 2.00					
	55°	0° - 90° 726 98%	20.0'	1 fc	87.6'	0 fc	* Average Initial Footcandles at 2.5' Above Floor					
	90°	Total 741 100%										

Delivered Lumens: 741
Luminaire Watts: 13.6
LER: 54.49

CP at 0° (Nadir): 220
CRI: 80

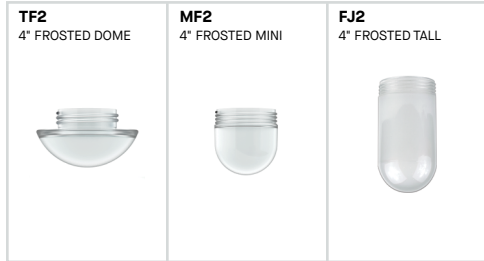
Beam Angle: 131°
Spacing Ratio: 1.23

Lumen Multiplier: only 10L available
CCT Multiplier: only 30K available

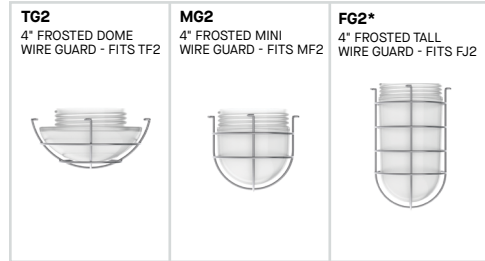


MOUNTING & ACCESSORIES

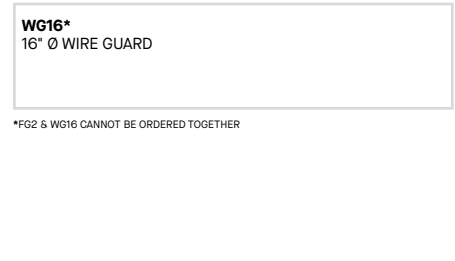
ENCLOSURES



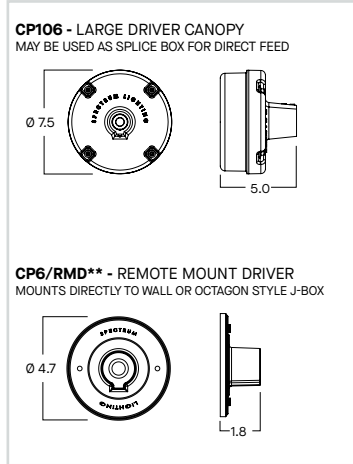
ENCLOSURE WIRE GUARDS



FIXTURE WIRE GUARDS

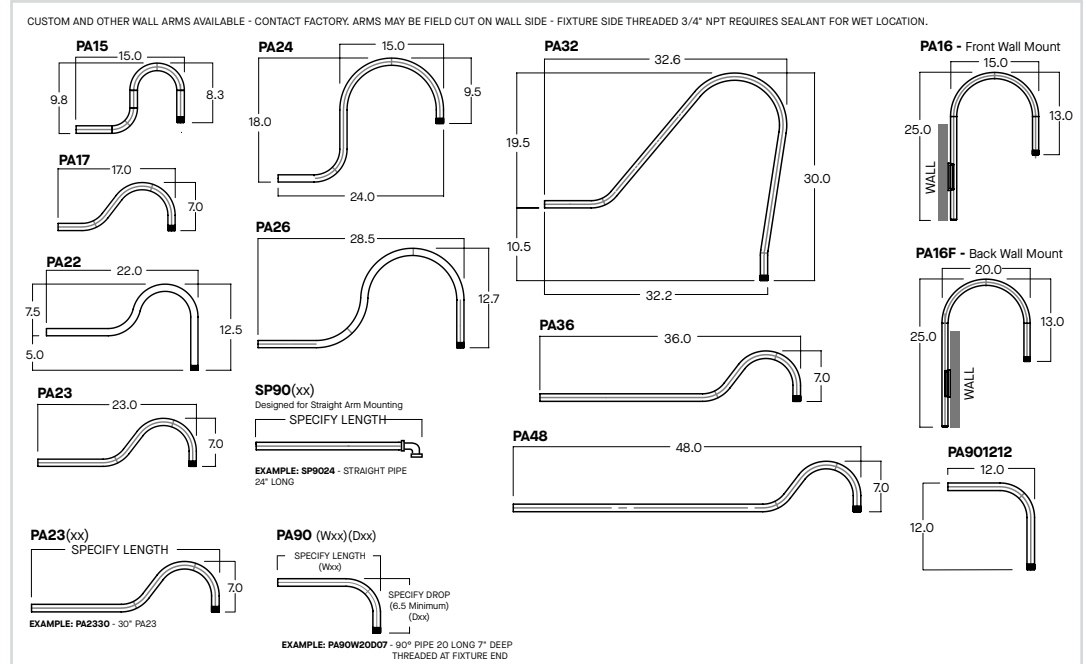


DRIVERS

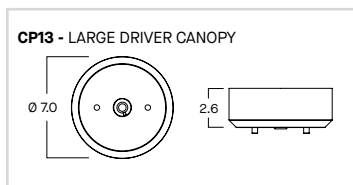


**UNAVAILABLE WITH PA16 OR PA16F

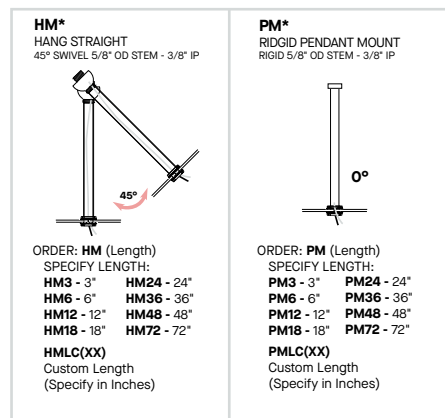
WALL MOUNTING



DRIVERS



CEILING MOUNTING



*MAXIMUM ONE PIECE STEM LENGTH IS 72".
LONGER LENGTHS ARE POSSIBLE USING MULTIPLE STEMS AND COUPLERS.