



COMMERCIAL DOWNLIGHT SERIES BY SPECTRUM

# 10" ROUND DOWNLIGHT

## NON-IC CONSTRUCTION

Spectrum's Infinium 10" recessed round downlight series features a shallow plenum housing for general illumination.

LUMENS AND WATTAGE CHART			
PART NUMBER	DELIVERED LUMENS <sup>1</sup>	SYSTEM WATTS	LPW
SGE10FX10L	824	6.6	125
SGE10FX15L	1281	10.5	122
SGE10FX20L	1737	14.4	121
SGE10FX30L	2364	21.9	108
SGE10FX40L	3516	30	117
SGE10FX50L	4478	38.3	117

<sup>1</sup> Nominal Delivered Lumens at 35K with MW SO



PROJECT: \_\_\_\_\_  
 QUANTITY: \_\_\_\_\_ TYPE: \_\_\_\_\_

MATTE WHITE  
MATCHING FLANGE



MATTE BLACK  
MATCHING FLANGE



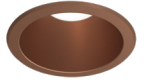
SEMI-DIFFUSE  
MATCHING FLANGE



PLATINUM SILVER  
MATCHING FLANGE

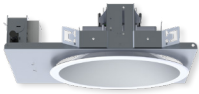


BRONZE  
MATCHING FLANGE



### AVAILABLE HOUSING TYPE

SGE10FX - New Construction



### PRODUCT SELECTOR GUIDE

SERIES	LUMENS	CRI / CCT	DRIVER / VOLTAGE	EMERGENCY	BAR HANGERS	TRIM TYPE	FINISH	FLANGE FINISH	LENS	TRIM OPTIONS
SGE10FX						AR1023FX				
EXAMPLE										
SGE10FX	15L	35K	DX		BH27	AR1023FX	MW	MF	SO	

### FIXTURE HOUSING SPECIFICATION

SERIES	LUMENS	CRI / CCT	DRIVER / VOLTAGE	EMERGENCY	BAR HANGERS
SGE10FX	10L 800 Lm	90 Minimum	DX 1%, 0-10V, 120V/277V	EM Integral Emergency Battery	BH27 27" Solid Bars Standard Bar Hangers H12 12" - 24" Expandable Bars CB24 24" C-Channel Bars
	15L 1300 Lm	27HK 2700K	DS2W1 1%, ELV/TRIAC, 120V	EMRM Remote Emergency Battery Pack Installer Responsible For EM Access	
	20L 1750 Lm	30HK 3000K			
	30L 2350 Lm	35HK 3500K			
	40L 3500 Lm	40HK 4000K			
	50L 4500 Lm	80 Minimum			
	Nominal Delivered Lumens at 35K with MW SO	30K 3000K 35K 3500K 40K 4000K 50K 5000K			

- Up to 4400 delivered lumens.
- Smooth light distribution for general illumination.
- Shallow plenum construction.
- L70 at >60,000 Hours at 70% lumens maintenance.
- 5 year warranty on fixture and electronics.
- Sustainable fixture.
- Damp or wet location listed.
- Ease of maintenance.
- Posi-lock trim retention torsion springs.

### TRIM SPECIFICATION

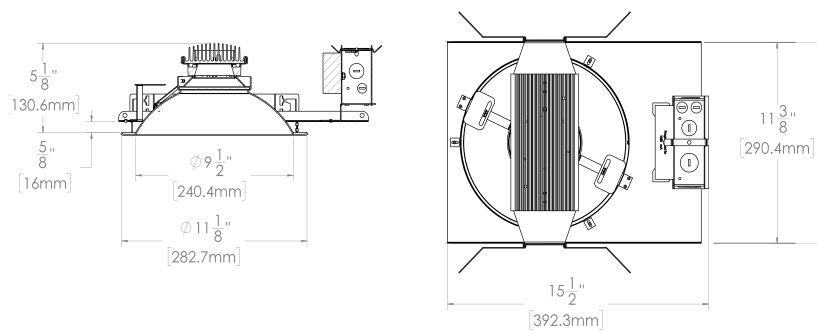
TRIM TYPE	FINISH	FLANGE FINISH	LENS	TRIM OPTIONS
AR1023FX	MW Matte White	MF Matching Flange NON MATCHING	SO Micro Prism Solite™ Lens	W Wet Location Gasket is Supplied with "W" Option
	MB Matte Black			
	SG Semi-Diffuse	WF White Flange		
	PT Platinum Silver	BF Black Flange		
CC Custom Color Consult Factory	SF Platinum Flange	CCF Custom Color Flange Consult Factory	GS Gasket	
See Color Guide for Full Range of Color Options		See Color Guide for Full Range of Color Options		



## HOUSING DIMENSIONS

### SGE10FX - NEW CONSTRUCTION

Non-IC rated, thermally protected frame-in kit for new construction.



## TRIM DATA

### AR1023FX - DOWNLIGHT



## FEATURES

### APPLICATIONS

FX series 10" diameter downlights, designed for general downlighting with smooth light distribution.

### FEATURES

Shallow plenum construction. Companion retrofit and remodel fixtures available. Auto dim thermal protector for long term reliability. Zhaga international standard LED module for ease of maintenance and future replacement. Tool-less LED module, driver, and J-Box access. Multi-Bar mounting brackets, fit a variety of mounting bars. Posi-lock trim retention torsion springs. Integral 5/8" (.625) collar, works in ceiling up to 1" Deep. Intended for Non-IC new construction.

### FINISH

Variety of powdercoat and anodized finishes available. Matte white flange is standard.

### ELECTRONICS

LED system features high efficacy Philips LEDs. Standard CRI is >80. Drivers are overload and short circuit protected as well as thermally regulated. Sound rating A.

### CONSTRUCTION

Housing/frame constructed of #20 ga. galvanized steel to resist corrosion. Self-flanged one piece trim spun from 0.063 3002 high purity aluminum and finished to specification. Passive machined aluminum heatsink.

### CODE COMPLIANCE

BAA Compliant. Non-IC New Construction only. ETL certified to meet US and Canadian standards. Suitable for dry or damp locations. Optional Wet location listed trim. LM79/LM80 data available. Manufactured and tested to UL standards No. 1598.

### RATED LIFE

Rated for 60,000 Hours at 70% lumen maintenance. (L70)



# PHOTOMETRIC DATA - 10" ROUND DOWNLIGHT

## SGE10FX 50L 35K XX AR1023FX MW WF SO

CANDLEPOWER CURVE TEST SP-01215	INTENSITY CANDELA 0° AZIMUTH	ZONAL LUMENS	SINGLE UNIT: PERFORMANCE DIRECT FOOTCANDLES BASED ON DOWNLIGHT ONLY				MULTIPLE UNITS: PERFORMANCE 80/50/20% REFLECTANCES INITIAL FOOTCANDLES AND WATTS PER SQUARE FOOT					
			Mounting Height AFF	FC at Center on Floor	Beam Diameter	FC at Beam Edge	Ceiling Height	Fixture Spacing	RCR 2		RCR 4	
	0°	0° - 10° 269 6%	8'	44 fc	13.2'	10 fc	10'	8'	77	0.68	41	0.44
	0°	0° - 20° 1024 23%	10'	28 fc	16.5'	6 fc	12'	10'	48	0.43	26	0.27
	5°	0° - 30° 2105 47%	12'	19 fc	19.8'	4 fc	16'	12'	24	0.21	29	0.30
	15°	0° - 40° 3190 71%	14'	14 fc	23.2'	3 fc	Delivered Illuminance Rating: (DIR)					
	25°	0° - 60° 4330 97%	16'	11 fc	26.5'	2 fc						113 FC per W/Sq. Ft.
	35°	0° - 80° 4462 100%	20'	7 fc	33.1'	2 fc	Recessed mounting Square rooms used for multiple units: RCR 2: Length & Width = Ceiling Ht. - 2.5' x 5.00 RCR 4: Length & Width = Ceiling Ht. - 2.5' x 2.50 * Average Footcandles at 2.5' Above Floor					
	45°	0° - 90° 4468 100%	24'	5 fc	39.7'	1 fc						
	55°	388	28'	4 fc	46.3'	1 fc						
	90°	1	Total 4478 100%									

Delivered Lumens: 4478  
Luminaire Watts: 38.4  
LER: 116.61

CP at 0° (Nadir): 2806  
CRI: 80+

Beam Angle: 79°  
Spacing Ratio: 1.13

Lumen Multiplier: 10L x 0.18, 15L x 0.29, 20L x 0.39, 30L x 0.58, 40L x 0.78  
CCT Multiplier: 27HK x 0.77, 30K x 0.96, 40K x 1.03, 50K x 1.04

See Page 1 for System Watts for all outputs

## SGE10FX 50L 35K XX AR1023FX SG WF SO

CANDLEPOWER CURVE TEST SP-01215_1	INTENSITY CANDELA 0° AZIMUTH	ZONAL LUMENS	SINGLE UNIT: PERFORMANCE DIRECT FOOTCANDLES BASED ON DOWNLIGHT ONLY				MULTIPLE UNITS: PERFORMANCE 80/50/20% REFLECTANCES INITIAL FOOTCANDLES AND WATTS PER SQUARE FOOT					
			Mounting Height AFF	FC at Center on Floor	Beam Diameter	FC at Beam Edge	Ceiling Height	Fixture Spacing	RCR 2		RCR 4	
	0°	0° - 10° 297 7%	8'	49 fc	12.0'	12 fc	12'	8'	68	0.61	58	0.61
	0°	0° - 20° 1103 25%	10'	31 fc	15.0'	8 fc	16'	10'	46	0.41	29	0.30
	5°	0° - 30° 2208 50%	12'	22 fc	18.0'	6 fc	20'	12'	27	0.25	17	0.18
	15°	0° - 40° 3269 74%	14'	16 fc	21.0'	4 fc	Delivered Illuminance Rating: (DIR)					
	25°	0° - 60° 4304 98%	16'	12 fc	24.0'	3 fc						112 FC per W/Sq. Ft.
	35°	0° - 80° 4388 100%	20'	8 fc	30.0'	2 fc	Recessed mounting Square rooms used for multiple units: RCR 2: Length & Width = Ceiling Ht. - 2.5' x 5.00 RCR 4: Length & Width = Ceiling Ht. - 2.5' x 2.50 * Average Footcandles at 2.5' Above Floor					
	45°	949	24'	5 fc	36.0'	1 fc						
	55°	337	28'	4 fc	42.0'	1 fc						
	90°	2	Total 4402 100%									

Delivered Lumens: 4402  
Luminaire Watts: 38.4  
LER: 114.64

CP at 0° (Nadir): 3124  
CRI: 80+

Beam Angle: 74°  
Spacing Ratio: 1.05

Lumen Multiplier: 10L x 0.18, 15L x 0.29, 20L x 0.39, 30L x 0.58, 40L x 0.78  
CCT Multiplier: 27HK x 0.77, 30K x 0.96, 40K x 1.03, 50K x 1.04

See Page 1 for System Watts for all outputs

