



**RETRO PENDANT**  
**DAMP LOCATION**  
 DOMO SHADES

PROJECT: \_\_\_\_\_  
 QUANTITY: \_\_\_\_\_ TYPE: \_\_\_\_\_



ALAT18GV  
 SF - Sea Foam  
 ALI - Almond Interior



ALAT18GV  
 AS - Anodic Sapphire  
 AYI - Aero Yellow Interior



ALAT18GV  
 RD - Red Baron  
 MWI - Matte White Interior



ALAT18GV  
 MW - Matte White  
 MBI - Matte Black Interior

SERIES	LUMENS <sup>1</sup>	CCT	DRIVER / DIMMING <sup>2</sup>	MOUNTING <sup>3</sup>	INTERIOR <sup>5</sup>	FINISH <sup>5</sup>
<b>ALAT18GV</b>	<b>15L</b> 1500 Lm	<b>27K</b> 2700K	<b>EX</b> Electronic Driver, 120V/277V <b>DO10X</b> 1%, 0-10V, 120V/277V <b>DS2W1</b> ELV/MLV, 120V <b>DLTE1</b> Lutron® 2-Wire Forward Phase (MLV), 120V <b>DL3EX</b> 1%, Lutron® EcoSystem®, Fades to Black, 120V/277V	<b>HM</b> <sup>4</sup> Hang Straight <b>AT</b> <sup>4</sup> Hang Straight All Thread <b>PM</b> <sup>4</sup> Rigid Pendant Mount <b>CD</b> <sup>4</sup> Cord / Cable Mount <b>CM</b> <sup>4</sup> Cord Mount <b>EMCR</b> 10W Canopy Mounted EM <b>EMRM</b> 7W Remote EM <b>EMEN</b> 7W Remote with Enclosure	<b>MWI</b> <sup>6</sup> Matte White <b>CCI</b> Custom Color <b>FCI</b> Fixture Color Interior	<b>MW</b> <sup>6</sup> Matte White <b>MB</b> <sup>6</sup> Matte Black <b>PT</b> <sup>6</sup> Platinum Silver <b>CC</b> Custom Color
	<b>27L</b> 2700 Lm	<b>30K</b> 3000K				
	<b>37L</b> 3700 Lm	<b>35K</b> 3500K				
	<b>55L</b> 5500 Lm	<b>40K</b> 4000K				

EXAMPLE: ALAT18GV55L35KEX/HM72MWIMW

**NOTES:**  
 1 Nominal Source Lumens at 35K 2 Contact Factory for Additional Options 3 See Mounting Page for Details on Components and Finishes 4 Specify Length in Inches:  
 See Mounting Page for Available Lengths 5 Reference Color Sheet Located on Product Webpage for Full List of Available Colors 6 Standard Finishes





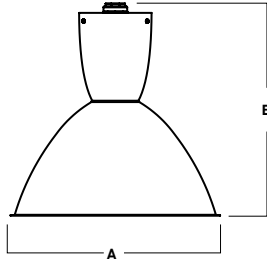
DECORATIVE

# RETRO PENDANT DAMP LOCATION DOMO SHADES

LUMENS / WATTAGE DATA				
PART NUMBER	SOURCE LUMENS <sup>1</sup>	DELIVERED LUMENS <sup>2</sup>	SYSTEM WATTS	LPW
ALAT18GV15L	1500	1094	10	109
ALAT18GV27L	2700	1864	18	104
ALAT18GV37L	3700	2756	26	106
ALAT18GV55L	5500	4052	39	104

<sup>1</sup> Nominal Source Lumens at 35K    <sup>2</sup> Nominal Delivered Lumens at 35K

## HOUSING DIMENSIONS



A	B
18.4	19.9
468.1 mm	505.5 mm

### APPLICATION

Retro Pendant offers a contemporary design for area lighting.

### FEATURES

SpecLume series fixtures offer contemporary style with functional luminaire performance. Fixtures are designed and manufactured in our factory. Retro Pendant offers a variety of colors and mountings for a creative design. LED module is upgradable and interchangeable for ease of maintenance. Standard diffuser for visual comfort and to eliminate LED source visibility. A variety of finishes and mounting is available.

### FINISH

Multi-stage polyester powder-coat process applied on our dedicated paint lines. See mounting and color pages for standard finishes. Interior is Matte White unless specified. Custom Color interior finish available.

### ELECTRONICS

GV LED system features high brightness white Samsung LED's. 3-step MacAdam Ellipse binning. Standard CRI: 80+. Higher CRI, R9 and custom LED configurations are available; consult factory. Variety of electronic 120V/277V and dimming drivers.

### CONSTRUCTION

Fixtures are spun in our factory from 0.063 high purity aluminum. Passive cast aluminum heat sink for optimal thermal management.

### CODE COMPLIANCE

BAA compliant. ETL certified to meet US and Canadian standards. Suitable for dry or damp locations. Manufactured and tested to UL standards No. 1598/8750.

## CEILING MOUNT

(SEE MOUNTING PAGES FOR MORE OPTIONS & CANOPY DIMENSIONS.)

### HM / AT / PM

HANG STRAIGHT / ALL THREAD / PENDANT

### CD

CORD / CABLE MOUNT

### CM

CORD MOUNT



ALAT18GV SHOWN WITH PM



ALAT18GV SHOWN WITH CD



ALAT18GV SHOWN WITH CM





# RETRO PENDANT

## DAMP LOCATION

### DOMO SHADES / PHOTOMETRIC DATA

DECORATIVE

ALAT18GV 55L 35K xx MWI xx xx

CANDLEPOWER CURVE TEST SP-00730	INTENSITY CANDELA 0° AZIMUTH	ZONAL LUMENS	SINGLE UNIT: PERFORMANCE DIRECT FOOTCANDLES BASED ON DOWNLIGHT ONLY				MULTIPLE UNITS: PERFORMANCE 80/50/20% REFLECTANCES INITIAL FOOTCANDLES AND WATTS PER SQUARE FOOT									
			Mounting Height AFF	FC at Center on Floor	Beam Diameter	FC at Beam Edge	Ceiling Height	Fixture Spacing	RCR 3		RCR 5					
	0°	1710	0° - 10°	164	4%	6'	48 fc	16.0'	5 fc	12'	5'	115	1.33	64	0.92	
	5°	1699	0° - 20°	630	16%	8'	27 fc	21.3'	3 fc	14'	6'	67	0.78	38	0.54	
	15°	1655	0° - 30°	1338	33%	10'	17 fc	26.7'	2 fc	16'	7'	69	0.80	55	0.80	
	25°	1544	0° - 40°	2184	54%	12'	12 fc	32.0'	1 fc	Delivered Illuminance Rating: (DIR)		86 FC per W/Sq. Ft.		70 FC per W/Sq. Ft.		
	35°	1360	0° - 60°	3704	91%	14'	9 fc	37.3'	1 fc	3' Suspension Length to luminous aperture Square rooms used for multiple units: RCR 3: Length & Width = Ceiling Ht. - 5.5' x 3.33 RCR 5: Length & Width = Ceiling Ht. - 5.5' x 2.00 * Average Footcandles at 2.5' Above Floor						
	45°	1169	0° - 80°	4028	99%	16'	7 fc	42.7'	1 fc							
	55°	711	0° - 90°	4052	100%	20'	4 fc	53.3'	0 fc							
		90°	0	Total	4052	100%	24'	3 fc	64.0'	0 fc						

Delivered Lumens: 4052  
Luminaire Watts: 39  
LER: 103.90

CP at 0° (Nadir): 1710  
CRI: 85+

Beam Angle: 106°  
Spacing Ratio: 1.25

Lumen Multiplier: 15L x 0.265, 27L x 0.463, 37L x 0.68  
CCT Multiplier: 27K x 0.971, 30K x 0.985, 40K x 1.03

See Page 1 for System Watts for all outputs

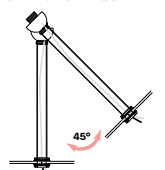
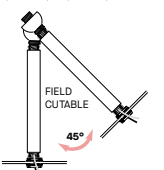
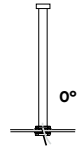
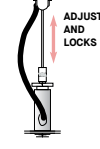



# MOUNTING & ACCESSORIES

SOME OPTIONS NOT AVAILABLE ON ALL FIXTURES. CONSULT SPECIFICATION SHEETS. SEE INDIVIDUAL SPECIFICATION SHEETS OR CONSULT FACTORY FOR ADDITIONAL INFORMATION.  
NOTE: THIS IS TYPICAL OF SPECULUME SPECIFICATION FOR PENDANT MOUNTING. INDIVIDUAL FIXTURES OR PROJECTS MAY HAVE SPECIALIZED REQUIREMENTS.



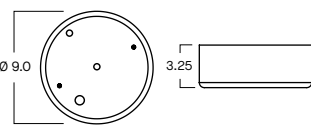
## CEILING MOUNTING

<p><b>HM*</b> HANG STRAIGHT 45° SWIVEL 1/2" STEM - 3/8" NPT</p>  <p>ORDER: <b>HM</b> (Length) SPECIFY LENGTH: <b>HM3</b> - 3"    <b>HM24</b> - 24" <b>HM6</b> - 6"    <b>HM36</b> - 36" <b>HM12</b> - 12"    <b>HM48</b> - 48" <b>HM18</b> - 18"    <b>HM72</b> - 72" <b>HMLC(XX)</b> Custom Length (Specify in Inches)</p>	<p><b>AT**</b> HANG STRAIGHT ALL THREAD 45° SWIVEL 1/2" STEM - 1/4" IP</p>  <p>ORDER: <b>AT</b> (Length) SPECIFY LENGTH: <b>AT12</b> - 12"    <b>AT48</b> - 48" <b>AT24</b> - 24"    <b>AT60</b> - 60" <b>AT36</b> - 36"    <b>AT72</b> - 72" <small>FIELD CUT THREADED PIPE FIELD LENGTH HESSELY CUT PIPE COVER 3/4" SHORTER THAN THREADED PIPE SLIP PIPE COVER OVER THREADED PIPE</small></p>	<p><b>PM*</b> RIGID PENDANT MOUNT RIGID 1/2" STEM - 3/8" NPT</p>  <p>ORDER: <b>PM</b> (Length) SPECIFY LENGTH: <b>PM3</b> - 3"    <b>PM24</b> - 24" <b>PM6</b> - 6"    <b>PM36</b> - 36" <b>PM12</b> - 12"    <b>PM48</b> - 48" <b>PM18</b> - 18"    <b>PM72</b> - 72" <b>PMLLC(XX)</b> Custom Length (Specify in Inches)</p>	<p><b>CD</b> CORD / CABLE MOUNT SJ CORD WITH 1/16 SS CABLE</p>  <p>ORDER: <b>CD</b> (Length) SPECIFY LENGTH: <b>CD36</b> - 36" <b>CD72</b> - 72" <b>CD144</b> - 144" <b>CDLC(XX)</b> Custom Length (Specify in Inches)</p>	<p><b>CM</b> CORD MOUNT SJ CORD WITH STRAIN RELIEF</p>  <p>ORDER: <b>CM</b> (Length) SPECIFY LENGTH: <b>CM36</b> - 36" <b>CM72</b> - 72" <b>CM144</b> - 144" <b>CMLC(XX)</b> Custom Length (Specify in Inches)</p>
--	--	--	---	---

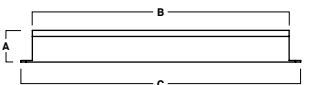
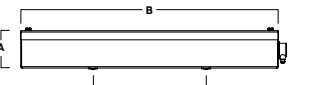
\*MAXIMUM ONE PIECE STEM LENGTH IS 72". \*\*MAXIMUM ONE PIECE STEM LENGTH IS 36". LONGER LENGTHS ARE POSSIBLE USING MULTIPLE STEMS AND COUPLERS.  
\*\*ORDER IN 12" INCREMENTS, ODD SIZES MAY BE FIELD CUT

## EMERGENCY BATTERY OPTIONS

**EMCR** - LARGE DRIVER CANOPY FOR TOW EMERGENCY BATTERY (FOR ROUND CEILING MOUNT TYPES)



## REMOTE EMERGENCY BATTERY OPTIONS

<p><b>EMRM*</b> - 7W REMOTE EMERGENCY BATTERY (50' MAX)</p>  <table border="1"> <thead> <tr> <th>A</th> <th>B</th> <th>C</th> </tr> </thead> <tbody> <tr> <td>1.3</td> <td>12.6</td> <td>13.0</td> </tr> </tbody> </table>	A	B	C	1.3	12.6	13.0	<p><b>EMEN*</b> - 7W REMOTE EMERGENCY BATTERY WITH ENCLOSURE (50' MAX)</p>  <table border="1"> <thead> <tr> <th>A</th> <th>B</th> <th>C</th> </tr> </thead> <tbody> <tr> <td>2.0</td> <td>17.0</td> <td>6.2</td> </tr> </tbody> </table>	A	B	C	2.0	17.0	6.2
A	B	C											
1.3	12.6	13.0											
A	B	C											
2.0	17.0	6.2											

\*OTHER EM BATTERY SIZES AVAILABLE, CONSULT FACTORY

