



22" PRISMATIC DDH SERIES



PRDDH22GV

QUICK SHIP

Quick Ship Surface highlights products that can ship in 5 - 10 working days.

APPLICATION

22" Lumen Max GV series performance pendant for low, mid-bay and high-bay applications. Prismatic refractor provides horizontal and vertical distribution.

FEATURES

Domed Fixture Housing (DDH) features a contemporary design that is easy to maintain. Single-stage optical system for smooth light distribution. 80 CRI minimum. Consult factory for high CRI or special applications. LED module and driver designed for ease of maintenance and replacement. Posi-lock refractor retention ring will absorb shocks and impact. Optional safety cable. Variety of optical lenses and mounting methods.

FINISH

Multi-stage polyester powder-coat process applied on our dedicated paint lines. Variety of standard and custom finishes are available. All exposed materials are chromate pretreated to resist corrosion. Matte White interior finish standard. Custom Color interior finish available.

ELECTRONICS

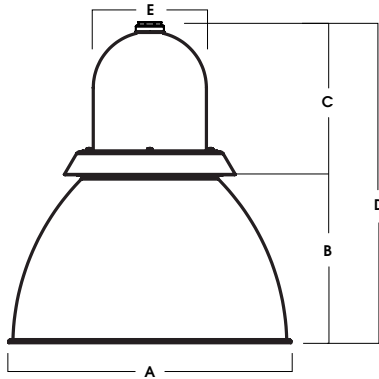
GV LED system features high brightness white Samsung LED's. 3-step MacAdam Ellipse binning. Standard CRI: 80+. Higher CRI, R9 and custom LED configurations are available, consult factory.

CONSTRUCTION

Housing constructed of spun and fabricated aluminum to resist corrosion. Extruded and machined 6063-T5 aluminum heat sink. Graphite gasket for optimal thermal management. Refractor made of cast UV stabilized acrylic.

CODE COMPLIANCE

BAA compliant. ETL certified to meet US and Canadian standards. Suitable for dry or damp locations. Manufactured and tested to UL standards No. 1598/8750.



A	B	C	D	E
25.7 652.8 mm	12.2 309.9 mm	13.4 340.4 mm	22.4 569.0 mm	7.5 190.5 mm

Fixture Weight: 18.0 lbs

LUMENS / WATTAGE DATA				
PART NUMBER	SOURCE LUMENS ¹	DELIVERED LUMENS ²	SYSTEM WATTS	LPW
PRDDH22GV110L	11000	8257	88	94
PRDDH22GV150L	15000	11008	117	94
PRDDH22GV180L	18000	13222	142	93

SERIES	LUMENS ¹	CCT	DRIVER / DIMMING ³	OPTIONS ⁴	MOUNTING ⁵	REFRACTOR	DIFFUSER OPTIONS	FINISH ¹¹		
PRDDH22GV	110L	11000 Lm	27K 2700K	EX Electronic Driver, 120V/277V DS10X 10% 0-10V, 120V/277V DO10X 1% 0-10V, 120V/277V	FS Fusing 2CIR 2 Circuit 3CIR 3 Circuit E347 347V Driver SC1 Safety Cable SC2 Safety Cable, Refractor to Door	HM ⁶ Hang Straight AT ⁶ Hang Straight All Thread PM ⁶ Rigid Pendant CD ⁶ Cord / Cable Mount CD72 72" Cord / Cable Mount HC ^{6/7/8} Hook & Cord NM2 ^{7/8/9} 1/2" NPT Hub NM3 ^{7/8/9} 3/4" NPT Hub EMERGENCY BATTERY OPTIONS EMCR 10W Canopy Mounted EM EMRM 7W Remote EM EMEN 7W Remote with Enclosure	DF22 22" Diffuse PR22 22" Clear OP22 22" Opal	DOOR DR22A ¹⁰ 22" Spun Door BC22 22" Band Clamp RS22 ⁹ 22" Refractor Shroud	LENS CNFR Conical Lens Frosted CN Conical Lens DL Drop Lens FO White Optical Acrylic PP Prismatic Polycarbonate PC Clear Polycarbonate WAG22 22" Wire Guard	MW ¹² Matte White MB ¹² Matte Black PT ¹² Platinum Silver CC Custom Color See Page 5 for Full Range of Color Options (83-90081)
	150L	15000 Lm	30K 3000K							
	180L	18000 Lm	35K 3500K							
			40K 4000K 50K 5000K							

QUICK SHIP

EXAMPLE: PRDDH22GV110L27KEX/HM36/PR22/BC22CN/PT

NOTES:
 1 Nominal Source Lumens at 40K 2 Nominal Delivered Lumens at 35K with PR22 3 Contact Factory for Additional Options 4 See Product Options Page For Details 5 See Mounting Page for Details on Components and Finishes
 6 Specify Length in Inches; See Mounting Page for Available Lengths 7 Mounting Supplied by Others 8 Not Available with EMCR 9 12" Leads Unless Specified 10 Same Finish as Housing 11 See Color Page for More Options/
 Consult Factory for Special Finish 12 Standard Finishes



PROJECT: _____
 QUANTITY: _____ TYPE: _____



22" PRISMATIC

DDH SERIES / FIXTURE OPTIONS



STANDARD FINISHES

MW
MATTE WHITE



MB
MATTE BLACK

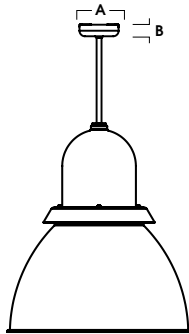


PT
PLATINUM SILVER



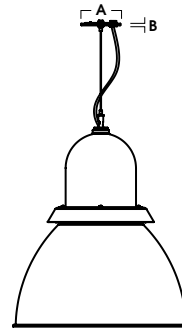
MOUNTING TYPES

HM / AT / PM
HANG STRAIGHT / ALL THREAD / PENDANT



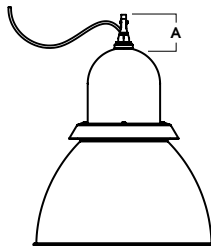
A	B
5.4	2.5
137.2 mm	63.5 mm

CD
CORD / CABLE MOUNT



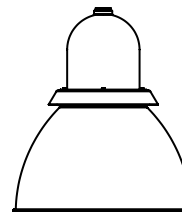
A	B
5.0	.25
127.0 mm	6.4 mm

HC
HOOK CORD



A
4.2
106.7 mm

NM
NO MOUNT



22" PRISMATIC

DDH SERIES / PHOTOMETRIC DATA



PRDDH22LEDGV-180L-35K-Ex/xx/xx/PR22/CNFR/XX

CANDLEPOWER CURVE	INTENSITY	ZONAL LUMENS	SINGLE UNIT: PERFORMANCE INITIAL FOOTCANDLES BASED ON IES BEAM ANGLE	MULTIPLE UNITS: PERFORMANCE 80/50/20% REFLECTANCES INITIAL FOOTCANDLES AND WATTS PER SQUARE FOOT																												
<p>Delivered Lumens: 13,215 Luminaire Watts: 142 LER: 93.06</p>	0.00°	0° - 10° 589 4%	Mounting Height AFF	<table border="1"> <thead> <tr> <th rowspan="2">Ceiling Height</th> <th rowspan="2">Fixture Spacing</th> <th colspan="2">RCR 2</th> <th colspan="2">RCR 4</th> </tr> <tr> <th>FC *</th> <th>W/Sq. Ft.</th> <th>FC *</th> <th>W/Sq. Ft.</th> </tr> </thead> <tbody> <tr> <td>22'</td> <td>20' *</td> <td>32</td> <td>0.38</td> <td>27</td> <td>0.38</td> </tr> <tr> <td>26'</td> <td>22' **</td> <td>20</td> <td>0.24</td> <td>17</td> <td>0.24</td> </tr> <tr> <td>32'</td> <td>24' ***</td> <td>18</td> <td>0.22</td> <td>10</td> <td>0.14</td> </tr> </tbody> </table>	Ceiling Height	Fixture Spacing	RCR 2		RCR 4		FC *	W/Sq. Ft.	FC *	W/Sq. Ft.	22'	20' *	32	0.38	27	0.38	26'	22' **	20	0.24	17	0.24	32'	24' ***	18	0.22	10	0.14
	Ceiling Height	Fixture Spacing	RCR 2				RCR 4																									
			FC *	W/Sq. Ft.	FC *	W/Sq. Ft.																										
	22'	20' *	32	0.38	27	0.38																										
	26'	22' **	20	0.24	17	0.24																										
	32'	24' ***	18	0.22	10	0.14																										
	0.00° 6,016	0° - 20° 2,500 19%	10.0' 60 fc 16.4' 29 fc	Delivered Illuminance Rating: (DIR)																												
	5.00° 5,923	0° - 30° 5,595 42%	12.0' 42 fc 19.7' 20 fc	2' Suspension Length Square rooms used for multiple units: - RCR 2: Length & Width = Ceiling Ht. - 6.5' x 5.00 - RCR 4: Length & Width = Ceiling Ht. - 6.5' x 2.50 * Average Footcandles at 2.5' Above Floor * Exceeds spacing criteria by -4% ** Exceeds spacing criteria by -16% *** Exceeds spacing criteria by -30%																												
	10.00° 6,274	0° - 40° 8,621 65%	14.0' 31 fc 23.0' 15 fc																													
	15.00° 6,868	0° - 60° 11,183 85%	16.0' 24 fc 26.3' 11 fc																													
20.00° 7,058	0° - 80° 11,794 89%	20.0' 15 fc 32.9' 7 fc																														
30.00° 6,269	0° - 90° 11,971 91%	24.0' 10 fc 39.4' 5 fc																														
40.00° 3,343	Total 13,215 100%	28.0' 8 fc 46.0' 4 fc																														
50.00° 1,311		32.0' 6 fc 52.6' 3 fc																														
60.00° 543																																
70.00° 272																																
80.00° 196																																
90.00° 160																																
CP at 0deg (Nadir): 6,016 CRI: 80+	Beam Angle: 78.74 Spacing Ratio: 1.35	Lamp Multiplier: 110L x 0.65, 150L x 0.88, 180L x 1 CCT Multiplier: 50K x 1.07, 40K x 1.03, 30K x 0.983, 27K x 0.967																														

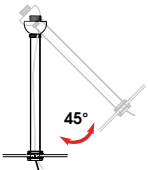
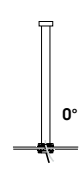
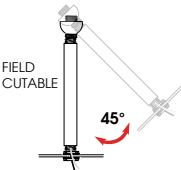


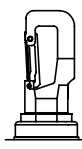


MOUNTING & ACCESSORIES

SOME OPTIONS NOT AVAILABLE ON ALL FIXTURES, CONSULT SPECIFICATION SHEETS. SEE INDIVIDUAL SPECIFICATION SHEETS OR CONSULT FACTORY FOR ADDITIONAL INFORMATION. NOTE: THIS IS TYPICAL OF LUMEN MAX SPECIFICATION FOR PENDANT MOUNTING. INDIVIDUAL FIXTURES OR PROJECTS MAY HAVE SPECIALIZED REQUIREMENTS.



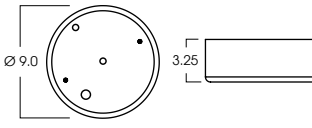
MOUNTING TYPES

<p>HM* HANG STRAIGHT 45° SWIVEL 5/8" OD STEM - 3/8" IP</p>  <p>ORDER: HM (Length) SPECIFY LENGTH: HM3 - 3" HM24 - 24" HM6 - 6" HM36 - 36" HM12 - 12" HM48 - 48" HM18 - 18" HM72 - 72" HMLC(XX) Custom Length (Specify in Inches)</p>	<p>PM* RIGID PENDANT MOUNT RIGID 5/8" OD STEM - 3/8" IP</p>  <p>ORDER: PM (Length) SPECIFY LENGTH: PM3 - 3" PM24 - 24" PM6 - 6" PM36 - 36" PM12 - 12" PM48 - 48" PM18 - 18" PM72 - 72" PMLC(XX) Custom Length (Specify in Inches)</p>	<p>AT** HANG STRAIGHT ALL THREAD 45° SWIVEL 5/8" OD STEM - 1/4" IP</p>  <p>ORDER: AT (Length) SPECIFY LENGTH: AT12 - 12" AT24 - 24" AT36 - 36"</p> 	<p>CD CORD / CABLE MOUNT SJ CORD WITH 1/16 SS CABLE</p>  <p>ORDER: CD (Length) SPECIFY LENGTH: CD36 - 36" CD72 - 72" CD144 - 144" CDLC(XX) Custom Length (Specify in Inches)</p>	<p>HC HOOK & CORD FOR INDEPENDENT MOUNTING</p>  <p>ORDER: HC</p>
--	---	--	---	---

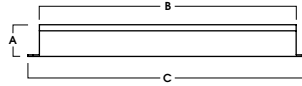
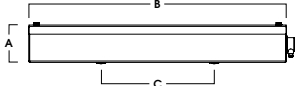
*MAXIMUM ONE PIECE STEM LENGTH IS 72". **MAXIMUM ONE PIECE STEM LENGTH IS 36". LONGER LENGTHS ARE POSSIBLE USING MULTIPLE STEMS AND COUPLERS.

EMERGENCY BATTERY OPTIONS

EMCR - LARGE DRIVER CANOPY FOR 10W EMERGENCY BATTERY



REMOTE EMERGENCY BATTERY OPTIONS

<p>EMRM* - 7W REMOTE EMERGENCY BATTERY (50' MAX)</p>  <table border="1"> <thead> <tr> <th>A</th> <th>B</th> <th>C</th> </tr> </thead> <tbody> <tr> <td>1.3</td> <td>12.6</td> <td>13.0</td> </tr> </tbody> </table>	A	B	C	1.3	12.6	13.0	<p>EMEN* - 7W REMOTE EMERGENCY BATTERY WITH ENCLOSURE (50' MAX)</p>  <table border="1"> <thead> <tr> <th>A</th> <th>B</th> <th>C</th> </tr> </thead> <tbody> <tr> <td>2.0</td> <td>17.0</td> <td>6.2</td> </tr> </tbody> </table>	A	B	C	2.0	17.0	6.2
A	B	C											
1.3	12.6	13.0											
A	B	C											
2.0	17.0	6.2											

*OTHER EM BATTERY SIZES AVAILABLE, CONSULT FACTORY

ADDITIONS


FS - FUSING

Slow blow type fuse protects fixture against voltage surges. Factory installed.



LSP10 - SM - SURGE PROTECTOR

Surge protector absorbs transient electrical spikes and protects fixtures and electronics 120/277v. Re-sets after surge. Factory Installed.



SAFETY CABLE OPTIONS

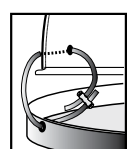
SC1 - SAFETY CABLE

1/16" stainless steel safety cable for added support. Standard kit is 18" and double barrel locks are provided. Approved for California seismic requirements. Rated at 50 lbs.



SC2 - SAFETY CABLE

1/16" Stainless steel cable holds door to fixture




COLOR OPTIONS - POWDER COAT PAINT FINISHES

NOTE: NO PRINTED IMAGE CAN EQUAL THE EXACT COLOR OF FINISH ON METAL.
SEE INDIVIDUAL SPECIFICATION SHEETS OR CONSULT FACTORY FOR ADDITIONAL INFORMATION.



STANDARD CORD / STEM / CANOPY FINISHES

FIXTURE COLOR	STANDARD CORD COLOR	STANDARD CANOPY / STEM COLOR
Matte White, Textured White	Matte White	Matte White
Gloss White	Matte White	Gloss White
Matte Black, Gloss Black, Textured Black	Matte Black	Matte Black
All Others	Matte Black	Same Color as Fixture
Custom Color	Contact Factory	Contact Factory

PAINT TIMES

TIER	COST	AVERAGE PAINT TIME*
Tier 1 - Standard Finishes	\$	⌚
Tier 2 - Typical Finishes	\$\$	⌚⌚
Custom Color	Contact Factory	Contact Factory

*CONTACT FACTORY FOR SPECIFIC PRODUCT LEAD TIMES

TIER 1 - STANDARD FINISHES



TIER 2 - TYPICAL FINISHES



CUSTOM COLOR FINISHES

CONTACT FACTORY

CC
Custom Color



*UNAVAILABLE FOR WET LOCATION

