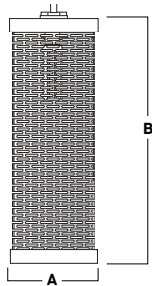
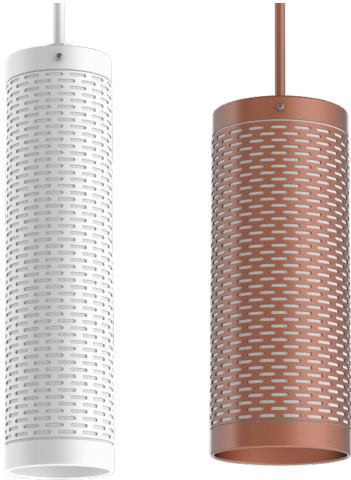




DODGER PENDANT INCANDESCENT CYLINDRO



FIXTURE	A	B
PAC0609INC	6.0	9.0
PAC0618INC	6.0	18.0
PAC0624INC	6.0	24.0
PAC0810INC	8.0	10.0
PAC0820INC	8.0	20.0

PROJECT: _____

QUANTITY: _____ TYPE: _____

PAC-INC

APPLICATION

Dodger Pendant originally designed for Dodgers Stadium. Now available for decorative area lighting. INC Series is designed for indoor damp locations.

FEATURES

Speculume series fixtures offer simple contemporary style with functional luminaire performance. All fixtures are designed and manufactured in our factory. The Dodger Pendant evokes 1930's luminaire design with modern materials. The wide range of sizes allows for a creative use of these pendants. Top and Bottom of fixture are well finished with beautifully spun aluminum end caps. A variety of finishes and mounting available.

FINISH

Multi-stage polyester powder-coat process applied on our dedicated paint lines. A wide variety of standard and custom finishes are available. All exposed materials are chromate pretreated to resist corrosion.

ELECTRONICS

E26 Edison medium base 120V socket for incandescent or LED lamps.

CONSTRUCTION

Fixtures constructed of spun, machined and formed aluminum and optical UV stabilized acrylic.

CODE COMPLIANCE

BAA compliant. ETL certified to meet US and Canadian standards. Suitable for dry or damp locations. Manufactured and tested to UL standards No. 1598/8750.

SERIES	MOUNTING/OPTIONS ¹	FINISH ³	OPTIONAL LOWER LENS
PAC0609INC	CD_2 Cord and Cable Mount	MW ⁴ Matte White	GL6 6" Clear Glass Lower Lens
PAC0618INC	HM_2 Hang Straight Pendant	MB ⁴ Matte Black	FG6 6" Frosted Glass Lower Lens
PAC0624INC	AT_2 Hang Straight All Thread	PT ⁴ Platinum Silver	PG6 6" Prismatic Glass Lower Lens
PAC0810INC	PM_2 Pendant/Straight Mount	CC Custom Color	GL8 8" Clear Glass Lower Lens
PAC0820INC	FS Fuse Holder and Fuse		FG8 8" Frosted Glass Lower Lens
			PG8 8" Prismatic Glass Lower Lens
			TOP Uplight Option

EXAMPLE: PAC0618INC/CD36PT/FG6

NOTES:
 1 See Mounting Pages Options and Details on Components and Finishes 2 Specify Length in Inches: See Mounting Page for Available Lengths
 3 Reference Color Sheet Located on Product Webpage for Full List of Available Colors/Consult Factory for Special Finishes 4 Standard Finish

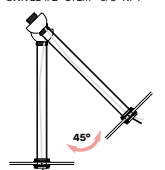
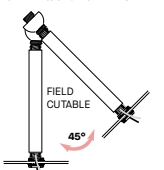

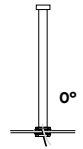
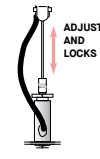


MOUNTING & ACCESSORIES

SOME OPTIONS NOT AVAILABLE ON ALL FIXTURES. CONSULT SPECIFICATION SHEETS. SEE INDIVIDUAL SPECIFICATION SHEETS OR CONSULT FACTORY FOR ADDITIONAL INFORMATION.
NOTE: THIS IS TYPICAL OF SPECULUME SPECIFICATION FOR PENDANT MOUNTING. INDIVIDUAL FIXTURES OR PROJECTS MAY HAVE SPECIALIZED REQUIREMENTS.



CEILING MOUNTING

<p>HM* HANG STRAIGHT 45° SWIVEL 1/2" STEM - 3/8" NPT</p>  <p>ORDER: HM (Length) SPECIFY LENGTH: HM3 - 3" HM24 - 24" HM6 - 6" HM36 - 36" HM12 - 12" HM48 - 48" HM18 - 18" HM72 - 72" HMLC(XX) Custom Length (Specify in Inches)</p>	<p>AT** HANG STRAIGHT ALL THREAD 45° SWIVEL 5/8" OD STEM - 1/4" IP</p>  <p>ORDER: AT (Length) SPECIFY LENGTH: AT12 - 12" AT48 - 48" AT24 - 24" AT60 - 60" AT36 - 36" AT72 - 72"</p> <p><small>FIELD CUT THREADED PIPE FIELD LENGTH NEEDED CUT PIPE COVER - 1/4" SHORTER THAN THREADED PIPE SIP PIPE COVER OVER THREADED PIPE</small></p> 	<p>PM* RIGID PENDANT MOUNT RIGID 1/2" STEM - 3/8" NPT</p>  <p>ORDER: PM (Length) SPECIFY LENGTH: PM3 - 3" PM24 - 24" PM6 - 6" PM36 - 36" PM12 - 12" PM48 - 48" PM18 - 18" PM72 - 72" PMLLC(XX) Custom Length (Specify in Inches)</p>	<p>CD CORD / CABLE MOUNT SJ CORD WITH 1/16 SS CABLE</p>  <p>ORDER: CD (Length) SPECIFY LENGTH: CD36 - 36" CD72 - 72" CD144 - 144" CDLC(XX) Custom Length (Specify in Inches)</p>
--	--	--	---

*MAXIMUM ONE PIECE STEM LENGTH IS 72". **MAXIMUM ONE PIECE STEM LENGTH IS 36". LONGER LENGTHS ARE POSSIBLE USING MULTIPLE STEMS AND COUPLERS.
**ORDER IN 12" INCREMENTS, ODD SIZES MAY BE FIELD CUT

